

**Serie | 2, wall-mounted cooker hood,
60 cm, clear glass black printed
DWK065G60**



**The wall-mounted chimney hood: mount it
on the wall, giving you complete freedom in
your kitchen planning.**

- **LED-Illumination:** The energy-saving lighting provides white and good lighting for the hob area.
- With exhaust, the air is cleaned by a grease filter and then ducted to the outside which ensures optimal kitchen air quality.
- 3-Speed Power Level Options To Suit Your Cooking Style And Recipes
- Converts to Recirculation Mode with Accessory Kit (Separate Purchase Required)
- Absorbs odors with Charcoal Replacement Filters (Available for sale)

Technical Data

Typology : Wall-mounted
 Approval certificates : CE
 Length electrical supply cord : 130 cm
 Height of product, without chimney : 354 mm
 Net weight : 10.4 kg
 Type of control : Electronic
 Number of speed settings : 3
 Max. air extraction : 593 m³/h
 Max. air recirculation : 250 m³/h
 Number of lights : 2
 Noise level : 67 dB(A) re 1 pW
 Diameter of air outlet : 150 / 120 mm
 Grease filter material : Washable aluminium
 Odour filter : No
 Operating Mode : Convertible
 Optional accessories : DWA0LK6A
 Type of lamps used : LED
 Grease filter type : Kasette
 Connection Rating : 216 W
 Fuse protection : 10 A
 Voltage : 220-240 V
 Frequency : 50 Hz
 Plug type : Gardy plug w/ earthing
 Installation typology : Wall-mounted
 Material body : Glass, Lacquered
 Approval certificates : CE
 Plug type : Gardy plug w/ earthing
 Dimensions of the product, with chimney (if exists) (in) : / x x
 Dimensions of the packed product : 18.11 x 27.55 x 18.50
 Net weight : 23.000 lbs
 Gross weight : 36.000 lbs
 Motor location : Integrated motor in hood body
 No-return airflow flap : Yes
 Length electrical supply cord : 130 cm
 Dimensions of the product, with chimney (if exists) : x 596.0 x 386.0 mm
 Dimensions of the packed product (HxWxD) : 460 x 700 x 470 mm
 Net weight : 10.4 kg
 Gross weight : 16.2 kg



Serie | 2, wall-mounted cooker hood, 60 cm, clear glass black printed DWK065G60

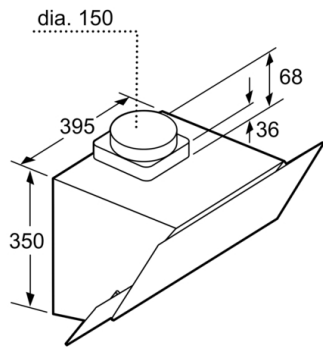
**The wall-mounted chimney hood: mount it
on the wall, giving you complete freedom in
your kitchen planning.**

Technical information

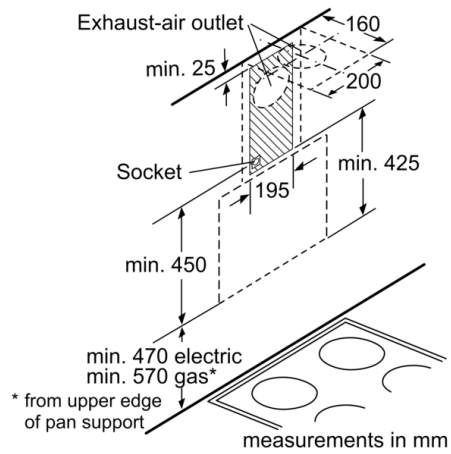
- Inclined Hood black
- Wall mounted hood
- Suitable for ducted or re-circulated extraction
- 60 cm wide
- For recirculated extraction standard recirculation kit (accessory) needed
- TouchControl with Electronic display
- Electronic controls via TouchControl with Electronic display
- black with glass canopy
- 3 speeds
- 2 x 3W led light
- RimVentilation
- Filter cover glass
- Metal grease filter, dishwasher safe
- Noise level according to EN 60704-2-13 at max. normal use
exhaust air: 64 dB(A) re 1 pW dB(A) re 1 pW
- Dimensions exhaust air (HxWxD): 750 - 1080 x 596 x 386 mm
- Dimensions recirculating (HxWxD): 862 - 1080 x 596 x 386 mm
- Diameter pipe Ø 150 mm (Ø 120 mm enclosed)
- Power rating: 216 W
- Light Intensity: 377 lux
- Colour Temperature: 3000 K
- Energy Efficiency Class: C (at a range of energy efficiency classes from A+++ to D)
- Average Energy Consumption: 94.4 kWh/year
- Blower Efficiency Class: D*
- Lighting Efficiency Class: A
- Grease Filtering Efficiency Class: D
- Noise min./max. Normal Level: 49/67 dB

** In accordance with the EU-Regulation No 65/2014*

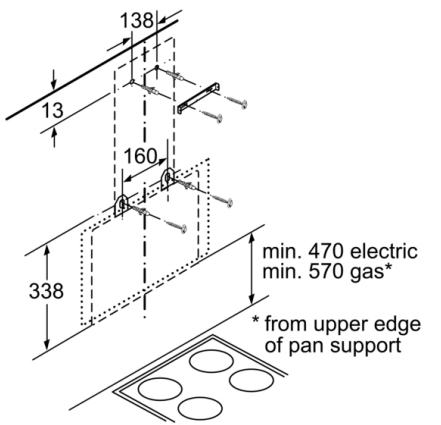
**Serie | 2, wall-mounted cooker hood, 60 cm,
clear glass black printed
DWK065G60**



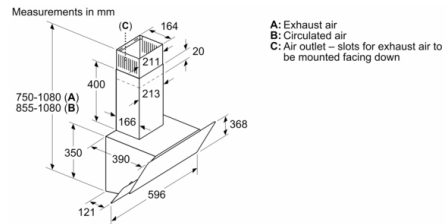
measurements in mm



measurements in mm



measurements in mm



Measurements in mm

A: Exhaust air
B: Circulated air
C: Air outlet - slots for exhaust air to be mounted facing down