

## Series 2, wall-mounted cooker hood, 90 cm, Stainless steel DWB94BC52



DHZ1225 Chimney extension 1000 mm, DHZ1235 Chimney extension 1500 mm, DHZ9550 Brushed steel back panel, DHZ9551 Brushed steel back panel, DWZ1FX5C6 Clean Air Plus recirc. kit external, DWZ1FX5D1 Long Life recirculation kit external, DZZ0XX0P0 Long Life odor filter (replacement), DZZ1XX1B6 Clean Air Plus odor filter (replacement), DWZ0DX0A0 Standard odor filter (replacement), DWZ0DX0U0 Standard recirculation kit, DWZ0XX0J0 Long Life recirculation kit, DWZ1DX1B4 Clean Air Standard odor filter (repl.), DWZ1DX1I4 Clean Air Standard recirculation kit, DWZ1DX1I6 Clean Air Plus recirculation kit

## Box-design hood: performance and matching kitchen design bundled in one hood.

- **Silent:** maximal extractor performance with little noise
- **Grease filtration level:** filters out over 85% of the grease from kitchen air
- **LED-Illumination:** The energy-saving lighting provides white and good lighting for the hob area.
- **With exhaust, the air is cleaned by a grease filter and then ducted to the outside which ensures optimal kitchen air quality.**
- **3-Speed Power Level Options To Suit Your Cooking Style And Recipes**

Typology: .....Wall-mounted  
 Length electrical supply cord: ..... 130.0 cm  
 Height of the chimney: ..... 583-912/583-1022 mm  
 Height of product, without chimney: ..... 53 mm  
 Net weight: ..... 11.8 kg  
 Type of control: .....mechanical  
 Number of speed settings: .....3  
 Max. air extraction: ..... 365 m<sup>3</sup>/h  
 Max. air recirculation: ..... 240 m<sup>3</sup>/h  
 Number of lights: .....2  
 Noise level: .....64 dB(A) re 1 pW  
 Diameter of air outlet: ..... 120 / 150 mm  
 Grease filter material: .....Washable aluminium  
 Odour filter: ..... No  
 Operating Mode: .....Exhaust / Recirculation (Accessory available separately)  
 Optional accessories: ..... DHZ1225, DHZ1235, DHZ9550, DHZ9551, DWZ1FX5C6, DWZ1FX5D1, DZZ0XX0P0, DZZ1XX1B6, DWZ0DX0A0, DWZ0DX0U0, DWZ0XX0J0, DWZ1DX1B4, DWZ1DX1I4, DWZ1DX1I6  
 Type of lamps used: ..... LED  
 Grease filter type: .....Kassette  
 Connection rating: ..... 100 W  
 Fuse protection: .....10 A  
 Voltage: ..... 220-240 V  
 Frequency: ..... 50; 60 Hz  
 Plug type: ..... Gady plug w/ earthing  
 Installation typology: .....Wall-mounted  
 Material body: .....Stainless steel  
 Plug type: ..... Gady plug w/ earthing  
 Dimensions of the product, with chimney (if exists) (in): .....x x  
 Dimensions of the packed product: ..... 19.29 x 25.59 x 40.55  
 Net weight: .....26.000 lbs  
 Gross weight: ..... 38.000 lbs  
 Motor location: .....Integrated motor in hood chimney  
 No-return airflow flap: ..... No  
 Length electrical supply cord: ..... 130.0 cm  
 Dimensions of the product, with chimney (if exists): .635-1075 MM x 900.0 x 500.0 mm  
 Dimensions of the packed product (HxWxD): ... 490 x 650 x 1030 mm  
 Net weight: .....11.8 kg  
 Gross weight: ..... 17.1 kg



## Series 2, wall-mounted cooker hood, 90 cm, Stainless steel DWB94BC52

### Box-design hood: performance and matching kitchen design bundled in one hood.

- DWB94BC52
- DWB94BC52 Brushed steel
- 90 cm, Chimney hood
- Box design
- Energy Efficiency Class: D (at a range of energy efficiency classes from A+++ to D)
- Average Energy Consumption: 53.1 kWh/year
- Blower Efficiency Class: E\*
- Lighting Efficiency Class: A
- Grease Filtering Efficiency Class: B
- Noise min./max. Normal Level: 49/64 dB

#### Variant:

#### Design:

#### Technical information

#### Performance

#### Power:

#### Environment and safety:

#### Comfort:

#### Measures:

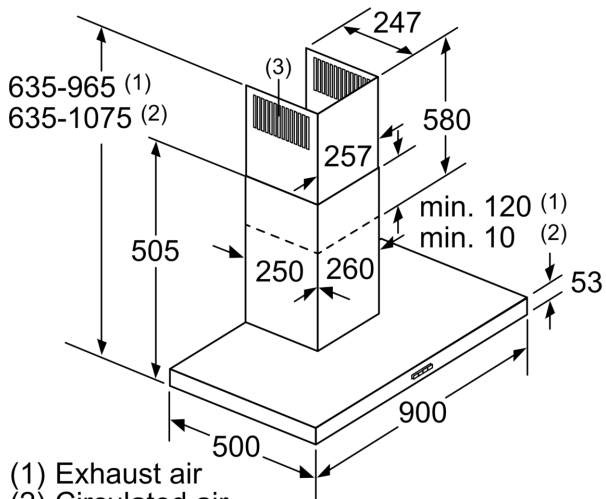
#### Technical information

- Wall Hood Brushed steel
- 90 cm Chimney hood, Brushed steel
- 90 cm Chimney hood
- 90 cm wide
- Suitable for ducted or re-circulated extraction
- For recirculated extraction standard recirculation kit or Clean Air Plus recirculation kit (accessory) needed
- Wall mounted hood
- push buttons
- 3 speeds via push buttons
- 3 speeds
- Twin channel high performance fan motor
- 2 x 1,5 W LED
- Light Intensity: 91 lux
- Colour Temperature: 3500 K
- Metal grease filter, dishwasher safe
- Extraction rate exhaust air according to EN 61591 max. 365 m<sup>3</sup>/h
- Noise level according to EN 60704-2-13 at max. normal use exhaust air: 64 dB(A) re 1 pW dB(A) re 1 pW
- Diameter pipe Ø 150 mm (Ø 120 mm enclosed)
- Max. extraction rate: 365 m<sup>3</sup>/h
- Extraction rate in recirculation mode:
- Max. normal use: 193 m<sup>3</sup>/h
- Noise level in recirculation mode:

- Max. normal use: 66 dB(A) re 1 pW
- Dimensions exhaust air (HxWxD): 635-965 x 900 x 500 mm
- Dimensions recirculating (HxWxD): 635-1075 x 900 x 500 mm
- Dimensions recirculating with CleanAir Plus recirculation kit (HxWxD):
- 703 x 900 x 500 mm - mounting with outer chimney
- 833-1163 x 900 x 500 mm - mounting with telescopic chimney
- Dimensions recirculating with cleanAir Plus recirculation kit (HxWxD);
- 703 x 900 x 500 mm - mounting with outer chimney
- 833-1163 x 900 x 500 mm - mounting with telescopic chimney
- Dimensions recirculating with CleanAir Plus recirculation kit (HxWxD):
- 703 x 900 x 500 mm - mounting with outer chimney
- 833-1163 x 900 x 500 mm - mounting with telescopic chimney
- 703 x 900 x 500 mm - mounting with outer chimney
- 833-1163 x 900 x 500 mm - mounting with telescopic chimney
- Power rating: 100 W
- Electrical cable length 1.3 m

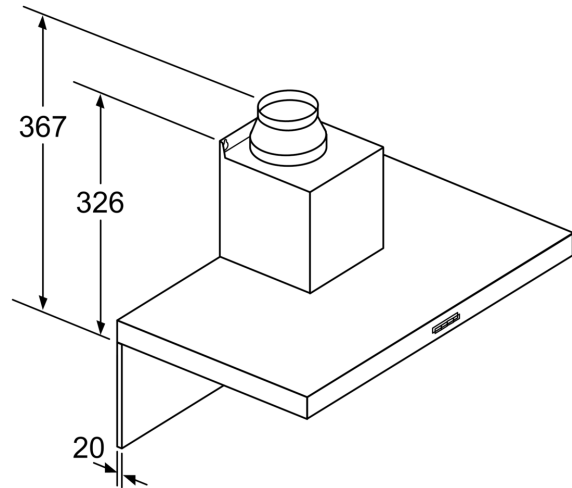
\* In accordance with the EU-Regulation No 65/2014

**Series 2, wall-mounted cooker hood,  
90 cm, Stainless steel  
DWB94BC52**



- (1) Exhaust air
- (2) Circulated air
- (3) Air outlet – slots for exhaust air to be mounted facing down

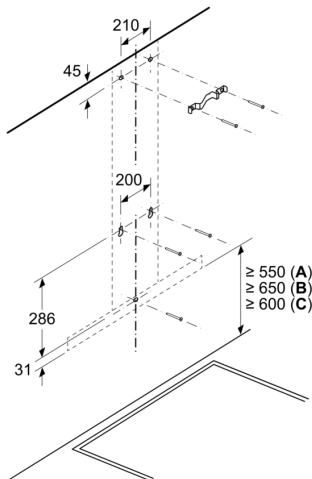
measurements in mm



If a back panel is used,  
the design of the appliance  
must be considered.

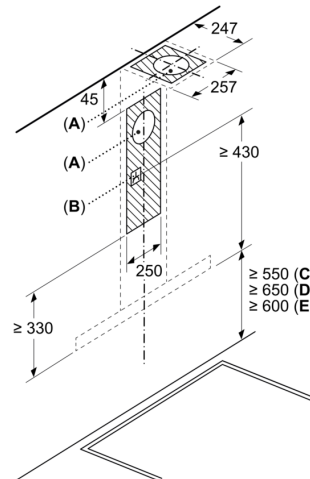
measurements in mm

Measurements in mm



- A: Electric
- B: Gas - from upper edge of pan support
- C: Electric - for Australia and New Zealand

Measurements in mm



- A: Exhaust air outlet
- B: Socket
- C: Electric
- D: Gas - from upper edge of pan support
- E: Electric - for Australia and New Zealand