

**Series 2, built-under cooker hood, 60 cm, Black
DHU636HQ**



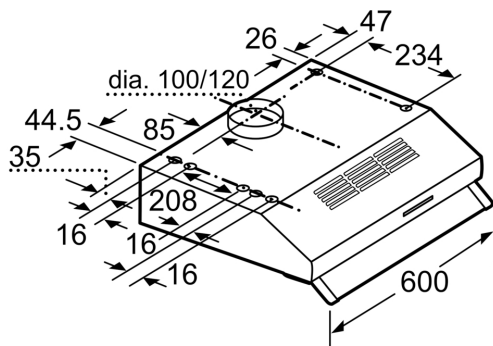
The built-under cooker hood: save space by mounting the hood beneath your upper cabinet or on the wall.

- **Metal Grease Filter:** cleans the air, captures grease, easy monthly clean-up.
- **3-Speed Power Level Options To Suit Your Cooking Style And Recipes**
- **2 Halogen Lights**
- **Ducted or Non-ducted Options**

Typology:	Built-in/Built-under
Length electrical supply cord:	130.0 cm
Net weight:	6.4 kg
Type of control:	mechanical
Number of speed settings:	3
Number of lights:	2
Diameter of air outlet:	120 mm
Grease filter material:	Washable aluminium
Odour filter:	No
Operating Mode:	Exhaust / Recirculation (Accessory available separately)
Type of lamps used:	Halogen
Total power of the lamps:	56 W
Grease filter type:	Multilayer
Clean filter reminders:	No
Connection rating:	252 W
Voltage:	220-240 V
Frequency:	50 Hz
Plug type:	Gardy plug w/ earthing
Installation typology:	Built-under
Material body:	Lacquered
Plug type:	Gardy plug w/ earthing
Dimensions of the product, with chimney (if exists) (in):	x x
Dimensions of the packed product:	22.04 x 25.19 x 7.87
Net weight:	14.000 lbs
Gross weight:	16.000 lbs
Motor location:	Integrated motor in hood body
No-return airflow flap:	No
Length electrical supply cord:	130.0 cm
Dimensions of the product, with chimney (if exists):	150 x 600.0 x 482.0 mm
Dimensions of the packed product (HxWxD):	560 x 640 x 200 mm
Net weight:	6.4 kg
Gross weight:	7.3 kg



**Series 2, built-under cooker hood, 60
cm, Black
DHU636HQ**



measurements in mm