

Series 6, Built-In Microwave BFL524MS0



Included accessories

1 x Turntable

- **AutoPilot 7:** every dish is a perfect success thanks to 7 pre-set automatic programmes.
- **LED-display control, white:** easy-to-use thanks to direct access to additional functions.
- **Pop-out controls:** for an easy to clean front.
- **Stainless steel interior:** easy to clean interior thanks to smooth surfaces and no sharp edges.
- **Electronical door opening:** comfortable door opening just with a fingertip on the sensor button.

Technical Data

Type of control : Electronic

Color / Material Front : Stainless steel

Dimensions : 382 x 594 x 317 mm

Cavity dimensions : 201.0 x 308.0 x 282.0 mm

Length electrical supply cord : 130 cm

Net weight : 16.5 kg

Gross weight : 18.8 kg

Max. microwave power level : 800 W

Number of Power Levels : 5

Turntable : Yes

Cavity material : Stainless steel

Door opening : Button

Clock : Yes

Included accessories : 1 x Turntable

Main colour of product : Stainless steel

Height of the product : 382 mm

Width of the appliance : 594 mm

Depth of the product : 317 mm

Max. microwave power level : 800 W

Connection Rating : 1270 W

Fuse protection : 10 A

Voltage : 220-230 V

Frequency : 50 Hz

Plug type : GARDY plug w/ earthing

Color / Material Front : Stainless steel

Required cutout/niche size for installation (in) : x x

Dimensions of the packed product : 17.32 x 14.96 x 25.59

Net weight : 36.000 lbs

Gross weight : 41.000 lbs

Included accessories : 1 x Turntable



Series 6, Built-In Microwave BFL524MS0

Microwave and heating mode:

- Max. Power: 800 W; 5 Microwave power settings: 90 W, 180 W, 360 W, 600 W, 800 W
- Cavity volume: 20 l

Design:

- stainless steel cavity

Comfort:

- LED display control
- electronic clock
- User-friendly electronics: extremely easy and comfortable operation
- AutoPilot 7
- 4 defrost and 3 cooking programmes in microwave function
- Memory for individual programmes (1 setting)
- LED light
- 25.5 cm glass turntable
- side opening door, hinge left

Accessory:

- turntable

Environment and Safety:

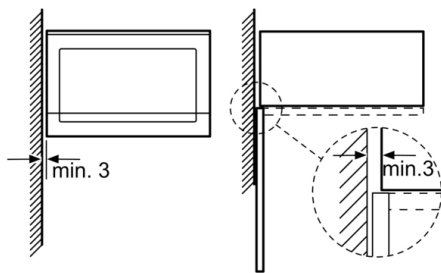
- Automatic switch off
Door contact switch
- Integral cooling fan
- Length of mains cable: 130 cm
- Total connected load electric: 1.27 KW
- Nominal voltage: 220 - 230 V
- suitable for high cupboard installation, can be built in a 60 cm wall cupboard (at least 30 cm deep)

Dimensions:

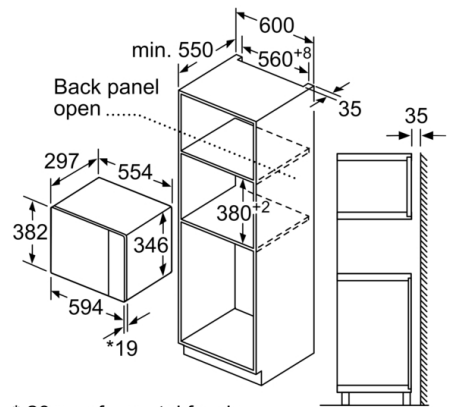
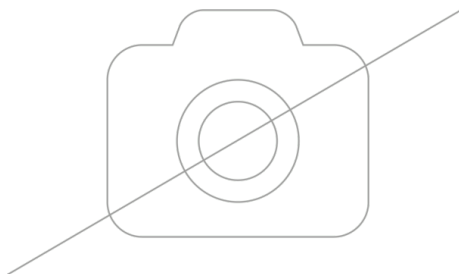
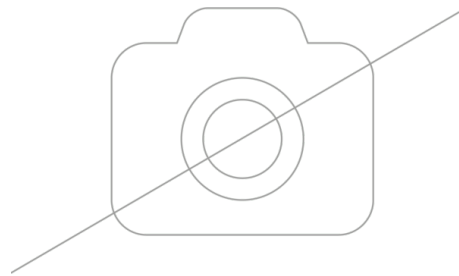
- Appliance dimension (hxwxd): 382 mm x 594 mm x 317 mm
- Niche dimension (hxwxd): 362 mm - 365 mm x 560 mm - 568 mm x 300 mm
- "Please reference the built-in dimensions provided in the installation drawing"

Series 6, Built-In Microwave BFL524MS0

Microwave,
corner installation

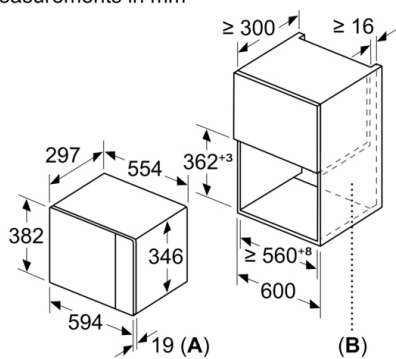


Measurements in mm



* 20 mm for metal fascia
measurements in mm

measurements in mm



A: 20 mm for metal fascia
B: Back panel open