

## fully-integrated dishwasher, 24" SHV45M03UC



### Optional accessories

SGZ1010UC : Drain hose extension kit  
SGZPC001UC : Powercord kit

### Technical Data

Upper Rack :	Normal
Adjustable upper rack :	Rackmatic
Upper rack cup shelf :	2
Lower Rack :	Tall
3rd Rack :	None
Silverware Basket :	Flexible
Optional accessories :	SGZ1000UC, SGZ1010UC, SGZ1051, SGZ2004UC, SGZ3003, SGZPC001UC
UPC code :	825225848714
Variant color :	Not applicable
Panel ready :	Yes
Silence level (dBA) :	51
Watts (W) :	1400
Current (A) :	12
Volts (V) :	120
Frequency (Hz) :	60
Energy Consumption (kWh/yr) :	259
Energy Star® qualified :	Yes
Plug type :	fixed connection
Required cutout size (HxWxD) (in) :	
x 33 15/16" - 35" x 23 9/16 "	
Required cutout size (HxWxD) (mm) :	860 x 610 x 610
Overall appliance dimensions (HxWxD) (in) :	
33 7/8 " x 23 9/16 " x 21 3/4 "	
Length outlet hose (in) :	70 "
Length outlet hose (cm) :	178
Length inlet hose (in) :	!
Product packaging dimensions (HxWxD) (in) :	
36 5/8" x 26 3/8" x 26"	
Product packaging dimensions (HxWxD) (mm) :	
920 x 660 x 670	
Tub material :	Stainless steel
Tub type :	TallTub
ADA Compliant :	No
Number of place settings :	14

## fully-integrated dishwasher, 24" SHV45M03UC

---

### **Appearance**

- Stainless Steel TallTub w/ Lifetime Warranty on Rust-Through
- 4 Wash Cycles and 2 Options
- Virtually Silent: 51 dBA

### **Quietness**

- InfoLight® Beams on the Floor to Indicate Dishwasher is Running
- Two Pump Motor System Minimizes Noise and Vibration
- Solid Molded Base Contains Sound and Prevents Leaks

### **Efficiency**

- 259 kwh/yr - Exceeds Energy Star® Guidelines
- Bosch Dishwashers Exceed Federal Energy Standards by up to 147%
- EcoSense™ Reduces Energy Usage by up to 20%
- Half Load Option for Small or Lightly Soiled Loads
- SaniDry™ Hygienic Condensation Drying
- Flow Water Heater
- Triple Filtration System

### **Safety**

- AquaStop® Leak Protection Protects You From Costly Water Damage
- PerfectDoor™ Keeps Dishwasher Door at Angle You Want
- NSF Certified - Eliminates 99.9% of Bacteria
- Concealed Heating Element - No Melting of Plastics

### **Capacity**

- 14 Place Setting Capacity
- Platinum Mid Racks with XL Flexible Silverware Basket and 2 Cup Shelves
- RackMatic® - Upper Rack Glides Up or Down, Even When Loaded

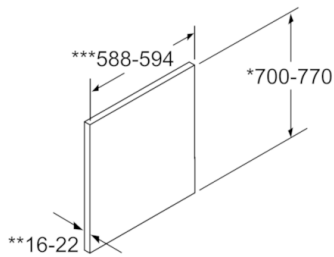
### **Convenience**

- Multi-Function LED with Remaining Time
- Quick Wash - In 30 Minutes or Less
- 19 H Delay Star Timer
- End of Cycle Sound

### **Performance**

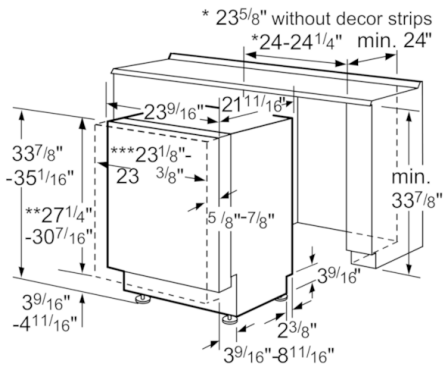
- OptiDry® for Spotless Drying Results

## fully-integrated dishwasher, 24" SHV45M03UC



- \* measured from the bottom edge of the countertop panel
- \*\* thickness recommended 20 mm, panel weight 4-8 kg
- \*\*\* 610 mm wide panel may be used depending on cabinet design

measurements in mm



- \*\* measured from the bottom edge of the countertop panel thickness recommended 3/4" panel weight 9-18 lb
- \*\*\* 24" wide panel may be used depending on cabinet design

measurements in inches