

**800 Series, Gas Slide-in Range, 30",
Stainless steel
HGI8054UC**



Included accessories

3 x oven racks /upper
1 x nozzle set for liquid gas
3 x cast iron pan support

Optional accessories

HEZ298102 : Wok ring
HEZGR301 : Griddle Accessory for Bosch Gas/DF SIR
HEZTR301 : Telescopic Oven Rack 30"
HGZBS301 : Low Back Guard SIR Gas
HGZIT301 : Island Trim Kit, Gas Slide-in Range

**The Full-depth Gas Slide-in Range Fits
into Any Freestanding Range Cutout, and
Features Five Burners to Cook More Dishes
at Once.**

- Oven is equipped with a self-cleaning cycle that easily cleans itself via 2, 3, and 4 hour cycle options.
- High-quality materials and workmanship – continuous cast-iron pan supports.
- The New Bosch Slide-in Range Fits in Any Freestanding Range Cutout.
- The Warming Drawer Keeps Everything You Cook Warm and Ready to Serve.

Technical Data

Total number of cooktop burners : 5

Cooking mode : Circulated gas bottom heat, Dough proving, Gas bottom heating, Half width variable grill, pizza setting, Selfcleaning pyrolytic, Small hot air grill, Warming, Warming drawer

Integrated Cleaning system : Self Clean

Type of control : Electronic

Knob Material : Full metal

Included accessories : 3 x oven racks /upper, 1 x nozzle set for liquid gas, 3 x cast iron pan support

Sealed Burners : Yes

Number of Double grates : 2

Number of gas burners : 5

Location of 1st heating element : front left

Location of 2nd heating element : center left

Location of 3rd heating element : back left

Power of 3rd burner (BTU) : 5000 BTU

Location of 4th heating element : middle back

Location of 5th heating element : back right

Power of 5th burner : 5000 BTU

Location of 6th heating element : center right

Display Color : red, white

Safety device : automatic reignition, Thermostat

**800 Series, Gas Slide-in Range, 30",
Stainless steel
HGI8054UC**

**The Full-depth Gas Slide-in Range Fits
into Any Freestanding Range Cutout, and
Features Five Burners to Cook More Dishes
at Once.**

Design

- Touch Control for Easier Operation of the Oven
- Heavy-duty Metal Knobs for a Premium Look and Feel
- Low-profile Design for an Integrated Appearance
- Stainless Steel Maintop

Performance

- 9 Specialized Cooking Modes - Gourmet Cooking Made Easy
- Standard Convection
- Temperature Conversion for Convection Cooking

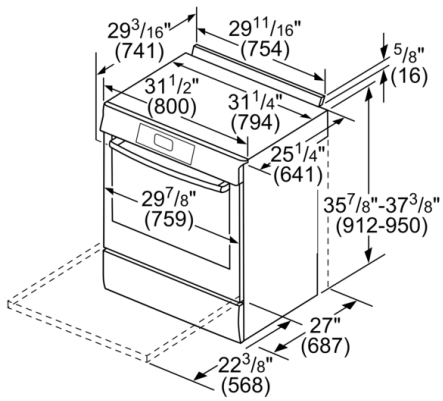
Convenience

- 5 Burners Add Flexibility to your Cooking
- One Oven Light to Better Monitor Cooking Progress
- Extra Large Door Window for Easy Monitoring of Cooking Process
- Star-K certified. 100°-450° F

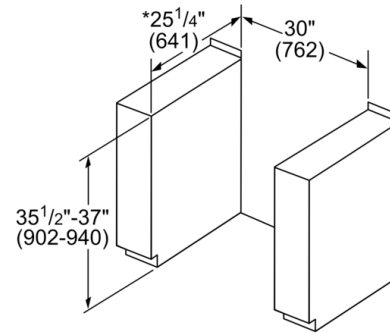
Capacity

- Large Capacity at 4.8 Cu Ft.

800 Series, Gas Slide-in Range, 30", Stainless steel HGI8054UC

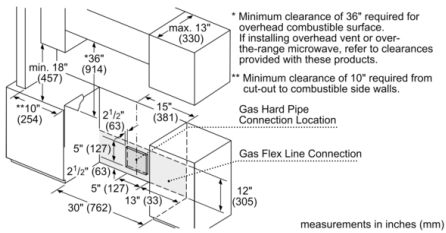


measurements in inches and (mm)



* For island installation with island trim (HGZIT301), use a cutout depth of $25\frac{3}{8}"$ (645)

measurements in inches and (mm)



measurements in inches (mm)