

Series 6, heat pump tumble dryer, 8 kg WQG235DRAU



- **Bed linen programme with reversible drum:** perfect drying results even in mix loads of large and small items.
- **ActiveAir Technology** reuses existing heat efficiently during the entire drying process.
- **Self Cleaning Condenser:** keeps the condenser free of fluff to maintain optimal energy efficiency.
- **Auto Dry:** automatically dries to the exact degree of dryness you want.
- **Half load option:** optimizes the drying settings (load and duration) for small loads.

Built-in / Free-standing: Free-standing
 Removable top: No
 Door hinge: Right
 Length electrical supply cord: 145.0 cm
 Dimensions (HxWxD): 842x598x613 mm
 Net weight: 55.9 kg
 Fluorinated greenhouse gases: No
 Hermetically sealed equipment: Yes
 EAN code: 4242005363766
 Connection rating: 600 W
 Fuse protection: 10 A
 Voltage: 220-240 V
 Frequency: 50 Hz
 Capacity: 8.0 kg
 Energy efficiency rating: A+++



WMZ20600 Wool in basket - accessory
 WTZ2741C Stacking kit
 WTZPW20D Platform with pull-out, dryer, cubic

Series 6, heat pump tumble dryer, 8 kg WQG235DRAU

Capacity

- Capacity: 8 kg

Consumption rates

- 9 Energy Stars for Drying
- Energy consumption 115 kWh per year on Cottons, Cupboard Dry Plus, Drying level 1, used once per week. When tested in accordance with AS/NZS 2442.2. Actual energy use and running costs will depend on how you use the appliance.

Programs

- standard programmes: cotton, easy care
- Bed Linen Program: reduces tangling of big items thanks to reversible drum
- Special drying programs:
 - Cottons,
 - Bed linen programme with reversible drum Shirts/Blouses: designed to allow immediate ironing or hanging up shirts/blouses after the program completes. Cotton Eco Down Wear: clothing, bedspreads or eiderdowns stuffed with down. Delicates: items made from satin, synthetic or blended fabrics Towels: hard wearing towels and dressing gowns made of cotton Hygiene Plus Mixed: items made from cotton or blended fabrics Super 40': short program for synthetic fabrics and light cottons Sportswear: sports and leisure items made from synthetic fibers, microfiber or fleece Easy Care: items made from synthetic or blended fabrics Wool: Machine washable items made of wool Timed Program Warm: manually set a custom time for drying slightly damp or multi layered thick items
- Touch control option settings: Reduced Ironing, Cupboard dry, Cupboard dry+, Finished in (delayed start): you can delay the start of the program by up to 24 hours, Half load option: optimises the drying settings (load and duration) for small loads., Easy Iron: the drum moves the laundry at regular intervals after drying to prevent creasing, Low Heat: reduce the drying temperature for delicate fabrics, End Signal: activate or deactivate the audible signal at the end of the program, Start/Pause the program, 24 h Finished in (delayed start): you can delay the start of the program by up to 24 hours

Performance

- Anti crease cycle 120 min at the end of the program
- Half Load option: optimizes drying for smaller loads
- 2 time-based programs
- 7 Sensor-Care plus 2 time-based programs

Features

- ActiveAir heat pump technology, existing heat is reused efficiently during the entire drying process
- SelfCleaning Condenser: the condenser automatically cleans itself and does not require any manual cleaning. This also helps to ensure the dryer performs economically with optimal energy efficiency
- load recommendation
- Consumption Indication: Information about energy consumption
- Illuminated control dial with integrated power On/Off button
- Time delay to select end of time of your wash (1-24 hours) and time remaining indicator
- Fast Dryer Technology, dries clothes upto 8 minutes per kilogram

faster than other Bosch heat pump dryers

- End of cycle indicator
- Large water condensation container: If there is no drain hose connected to the appliance the condensation water from the drying cycle will be stored in the condensation container

Design

- Large LED-Display for remaining time, 24 h end time delay and programme status indication, ability to turn on/off end of cycle End Signal: activate or deactivate the audible signal at the end of the program
- AntiVibration design: for greater stability and quietness
- Sensitive drying system: textile friendly drum design and SoftFlow paddles ensure soft, fluffy laundry and helps to reduce creasing
- Glass door with 170 ° opening angle
- right-hinged

Technical Information

- Slide-under height of 85cm
- Dimensions (H x W x D): 84.2 cm x 59.8 cm x 61.3 cm (64.8 cm including door handle)
- Operating noise level: 64 dB(A)

Safety

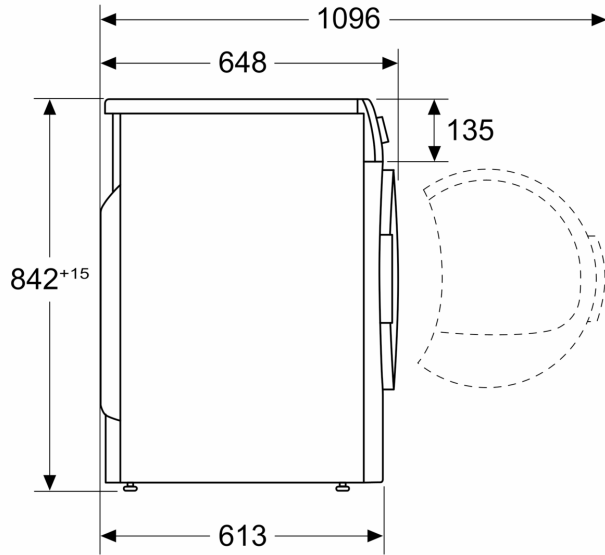
- Child safety control lock

Display Screen & Alerts

- Energy consumption 145 kWh per year on Cottons, Cupboard Extra Dry, Drying level 1, used once per week. When tested in accordance with AS/NZS 2442.2. Actual energy use and running costs will depend on how you use the appliance.
- 9 Energy Stars
- 9 Energy Stars

**Series 6, heat pump tumble dryer, 8
kg
WQG235DRAU**

Measurements in mm



Measurements in mm

