

**Series 6, washer dryer, 10/5 kg, 1400 rpm  
WNA254U1AU**



**The washer dryer with Hygiene and AntiStain solutions effectively remove germs, bacteria and stains. It dries as efficiently as it washes, up to 5kg in one go.**

- **Hygiene Care:** washing programme with gentle pretreatment for delicates.
- **Wash & Dry 60:** Wash and dry efficiently small loads in just 60 min.
- **Quick 15':** Quick wash cycle, washes up to 2 kg of laundry in just 15 min.
- **Iron Assist:** clever steam treatment in your dryer that smooths dried laundry.
- **AntiStain:** reliably removes 4 common stains.

---

Maximum capacity in kg in a Wash/Dry cycle (EU 2017/1369): .....5.0  
 Maximum capacity in kg in a wash cycle (EU 2017/1369): ..... 10.0  
 Built-in / Free-standing: ..... Free-standing  
 Removable top: ..... No  
 Door hinge: ..... Left  
 Length electrical supply cord: ..... 160.0 cm  
 Dimensions of the product: .....848 x 598 x 590 mm  
 Net weight: .....81.3 kg  
 Drum volume: ..... 65 l  
 EAN code: .....4242005246199

---



WMZ2200 Floor securing component  
 WMZPW20W Platform with pull-out, washer, cubic

## Series 6, washer dryer, 10/5 kg, 1400 rpm WNA254U1AU

**The washer dryer with Hygiene and AntiStain solutions effectively remove germs, bacteria and stains. It dries as efficiently as it washes, up to 5kg in one go.**

### Capacity

- Capacity: 10 kg washing and 5 kg drying

### Consumption rates

- Energy consumption 306 kWh per year based on Cottons Eco program at 60°C, with 1400 RPM spin speed, seven times per week. When tested in accordance with AS/NZS 2040.2. Actual energy consumption will depend on how the appliance is used.
- Water consumption 86 l litres per wash. Using the Cottons Eco program at 60°C with 1400 RPM spin speed. In accordance with AS/NZS 6400. Actual water consumption will depend on how the appliance is used. AU WELS Registration Number: C01966.
- 3 Star energy rating, Excellent Energy Efficiency and Drying Performance, 43 litres of water used in the drying cycle when drying a 5 kg load.
- Energy consumption 191 kWh Intensive Dry, Cupboard Dry used once per week. When tested in accordance with AS/NZS 2442.2. Actual energy use and running costs will depend on how you use the appliance.

### Programs

- Standard programs:
  - Cottons: hard-wearing items made from cotton, linen or blended fabrics - Cotton Eco: energy-saving program - Easy care: items made from synthetic or blended fabrics - Delicate/Silk: Delicate, washable items made from Silk, viscose and synthetics - Wool: hand or machine washable items that are made from wool or contain wool
- Specialty washing programs:
  - Quilt/Down Wear: items stuffed with down and synthetic fibres, such as pillows, quilts and bedspreads
  - SuperQuick 15': extra short program suitable for small lightly soiled items - Hygiene Care: for items that need to be hygienically clean, hot hair pretreatment followed by a low temperature washing cycle - Mixed: lightly soiled items made from cotton, linen, or blended fabrics Spin/Drain: spins and drains the water Rinse: rinses and then spins the laundry, and then drains the water
- Specialty drying programs:
  - Refresh: remove odour and reduce wrinkles for items that do not need frequent washing; wool, linen, and suits
  - Intensive Dry: drying program with three desired dryless level options: Cupboard Dry / Cupboard Dry Plus / Iron Dry - My Drying Time: set your own drying program length (20-120 minutes) for mixed fabrics - Wash & Dry 60': short washing and drying program for small lightly soiled items

### Performance

- Automatic stain removal system with 4 stain options - activatable with standard programs. Simply select the type of stain on the display and then the temperature, drum movement and soaking time will automatically adjust to the optimal settings

- ActiveWater Plus highly efficient water management technology automatically detects the exact load to determine the most efficient water flow possible
- EcoSilence Drive: quiet, durable, and energy-efficient brushless motor (BLDC) with 10-year motor warranty
- SelfCleaning Condenser: the condenser automatically cleans itself and does not require any manual cleaning. This also helps to ensure the dryer performs economically with optimal energy efficiency
- VarioSoft drum: thorough yet gentle washing thanks to the unique drum structure design
- 400 - 1400 rpm spin speed

### Design

- Large LED display for program status, temperature, spin speed, and time remaining
- AntiVibration Side Panels reduce vibrations and noise levels, making it extremely quiet during the spin cycle

### Features

- Touch control option settings:
- Easy Iron: reduces creasing thanks to a special spin sequence
- Prewash options for stubborn stains and heavily soiled garments Spin Speed: manually adjust the spin speed AntiStain: Selection options of Grass, Red Wine, Oil/Butter and Blood Temperature selection: manually adjust the temperature SpeedPerfect: reduce cleaning time by up to 65%
- Selected washing programs can have a drying cycle added, resulting in a wash and dry program in one go. Simply select a wash program and then press the Dry button and select the target drying result; Cupboard Dry / Cupboard Dry Plus / Iron Dry
- Reload function to pause machine operation for adding in last minute laundry items
- SpeedPerfect: perfectly clean in up to 65% less time.
- Large porthole, chrome, blackgrey with 165° door for easy loading/unloading

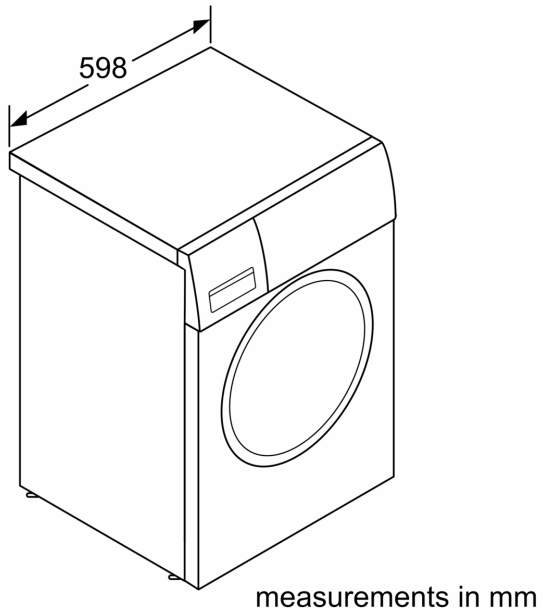
### Safety

- Aqua Protection Plus anti-flood protection with self-sealing hose, minimises the risk of flooding
- Child lock for door and buttons

### Technical Information

- Dimensions (H x W x D): 84.8 cm x 59.8 cm x 59 cm (63.5 cm including door handle)
- Operating noise level (based on Cotton 60°C program): wash 52 / spin 74 / dry 59 dB

**Series 6, washer dryer, 10/5 kg, 1400 rpm**  
**WNA254U1AU**



Measurements in mm

