

**Series 6, washing machine, front loader, 9 kg, 1400 rpm  
WGG2449RAU**



- **Active Water Plus:** For highly efficient use of water even with smaller loads thanks to automatic load detection.
- **AntiStain:** reliably removes 4 common stains.
- **Reload function:** forgot an item? Add it easily to the wash.
- **Speed Perfect:** perfectly clean in up to 65% less time
- .
- **Dark Colors program:** ideal for gentle cleaning of dark-coloured laundry, such as jeans.

Maximum capacity in kg : ..... 9.0 kg  
 Built-in / Free-standing: ..... Free-standing  
 Dimensions of the product: ..... 848x598x590 mm  
 Net weight: ..... 73.5 kg  
 Connection rating: ..... 2300 W  
 Fuse protection: ..... 10 A  
 Voltage: ..... 220-240 V  
 Frequency: ..... 50-60 Hz  
 Length electrical supply cord: ..... 160.0 cm  
 Door hinge: ..... Left  
 Wheels: ..... No  
 EAN code: ..... 4242005357512  
 Installation typology: ..... Free-standing



WMZ2200 Floor securing component  
 WMZ2381 Extension for cold water inlet /Aquastop

## Series 6, washing machine, front loader, 9 kg, 1400 rpm WGG2449RAU

### Capacity

- Capacity: 9 kg

### Consumption rates

- 5 Star Energy Rating
- Energy consumption 212 kWh per year based on Cottons Eco program at 60°C, with 1400 RPM spin speed, seven times per week. When tested in accordance with AS/NZS 2040.2. Actual energy consumption will depend on how the appliance is used.
- 4.5 Star water rating (WELS)
- Water consumption 78 l litres per wash. Using the Cottons Eco program at 60°C with 1400 RPM spin speed. In accordance with AS/NZS 6400. Actual water consumption will depend on how the appliance is used. C02279.

### Programs

- Standard programs:
  - Cottons: hard-wearing items made from cotton, linen or blended fabrics Cotton Eco: energy-saving program Easy care: items made from synthetic or blended fabrics Delicate/Silk: delicate, washable items made from silk, viscose and synthetics Wool: hand or machine washable items that are made from wool or contain wool
- Additional specialty programs:
  - AllergyPlus/Hygienic: suits items that need to be hygienically clean such as towels, bed sheets or pillow cases
  - Drum Clean: cleaning and care program for the drum with reminder function Shirts/Blouses: non-iron shirts and blouses made from cotton, linen, or blended fabrics Easy Care: items made from synthetic or blended fabrics Spin/Drain: spins and drains the water Mixed: lightly soiled items made from cotton, linen or blended fabrics Sportswear: sports and leisure items made from synthetic fibres, microfibre or fleece Rinse: rinses and then spins the laundry, and then drains the water Super 15'/30': short program for small lightly soiled items

### Performance

- ActiveWater Plus: for highly efficient use of water even with small loads thanks to automatic load detection.
- SpeedPerfect: perfectly clean in up to 65% less time.
- EcoSilence Drive: quiet, durable, and energy-efficient brushless motor (BLDC) with 10-year motor warranty
- Spin speed 400 - 1400 rpm

### Features

- Automatic stain removal system with 4 stain options - activatable with standard programs. Simply select the type of stain on the display and then the temperature, drum movement and soaking time will automatically adjust to the optimal settings
- TouchControl buttons include:
  - Easy Iron: reduces creasing thanks to a special spin sequence
  - Rinse Plus: Adds more rinse cycles, suited for highly soiled clothing Prewash options for stubborn stains and heavily soiled garments Finish in (delayed start): delay the start of the program by up to 24 hours Spin Speed: manually adjust the spin speed AntiStain: Selection options of Grass, Red Wine, Oil/Butter and Blood Start/Pause with Reload function: allows you to add a forgotten garment even after the wash cycle has started Temperature selection: manually adjust the temperature SpeedPerfect: reduce cleaning time by up to 65%

- Reload function to pause machine operation for adding in last minute laundry items
- Drum Clean reminder function: the LED indicator will flash when a drum clean is required
- Foam detection system to remove excessive foam
- Unbalanced load detection
- Buzzer at the end of the programme
- Self cleaning detergent drawer to remove detergent residue, From front
- Automatic load detection
- Aqua Protection Plus anti-flood protection with self-sealing hose, minimises the risk of flooding

### Design

- VarioDrum: thorough yet gentle washing thanks to the unique drum structure design
- Large LED display for program status, temperature, spin speed, and time remaining
- soft dial
- Large porthole, silver-black grey with 165° door for easy loading/unloading
- AntiVibration Side Panels reduce vibrations and noise levels, making it extremely quiet during the spin cycle
- Consumption Indication: Information about energy consumption

### Safety

- Child lock for door and buttons

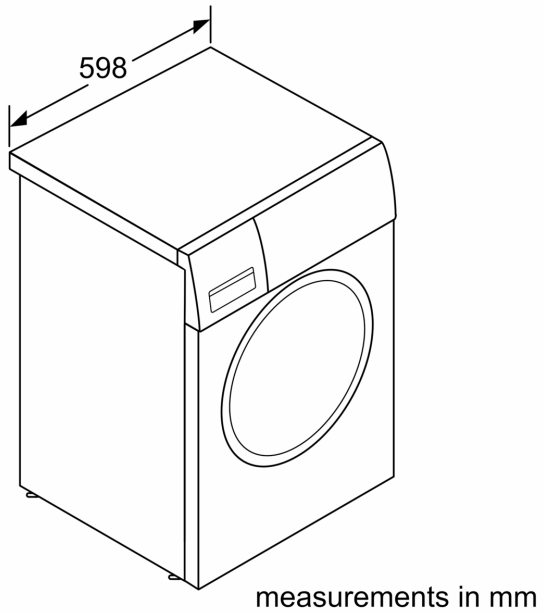
### Technical Information

- Dimensions (H x W x D): 84.8 cm x 59.8 cm x 59.0 cm (63.6 cm including door handle)
- Slide-under height of 85cm
- Operating noise level (based on Cotton 60°C program): wash 48 / 75 spin dB(A)

### Display Screen & Alerts

- demo programme, Automatic stain removal system
- Sound insulation by additional damping material
- Sound insulation by bottom cover
- Operating noise level (based on Cotton 60°C program): wash 48 / spin 75 dB(A)
- Drum volume: 65 l
- Reload function to pause machine operation for adding in last minute laundry items
- Water consumption 78 l litres per wash. Using the Cottons Eco program at 60°C with 1400 RPM spin speed. In accordance with AS/NZS 6400. Actual water consumption will depend on how the appliance is used. C02279.
- Noise level spinning at standard 60°C cotton programme at full loading in dB (A) re 1 pW: 75
- Spin speed 0 - 1400 rpm

**Series 6, washing machine, front  
loader, 9 kg, 1400 rpm  
WGG2449RAU**



Measurements in mm

