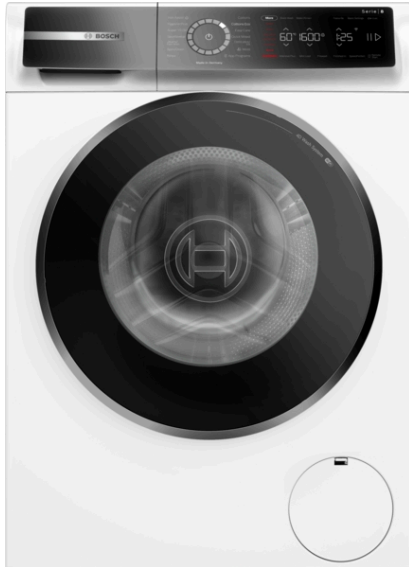


**Series 8, washing machine, front loader, 10 kg, 1600 rpm
WGB25600AU**



An advanced washing machine with ActiveWater Plus which saves up to 50% water and reduces your ironing pile with Iron Assist.

- **AntiStain** : Reliably removes 16 different stubborn stains without any additional pre-treatment.
- **Hygiene Plus**: Hygienic washing, killing germs effectively even at 40°C
- **Iron Assist**: Reduce wrinkles up to 50%.
- **Vario Drum**: Gently and efficiently wash with even water distribution and without creasing garments.
- **Mini Load**: Single item programme.

Technical Data

Built-in / Free-standing : Freestanding
Dimensions of the product : 845x598x590 mm
Net weight : 82.6 kg
Connection Rating : 2300 W
Fuse protection : 10 A
Voltage : 220-240 V
Frequency : 50 Hz
Length electrical supply cord : 160 cm
Washing performance class : A
Door hinge : Left
Wheels : No
EAN code : 4242005414789
Capacity cotton - NEW (2010/30/EC) : 10.0 kg
Spin drying performance class : A
Maximum spin speed : 1600 rpm
Noise level washing : 46 dB(A) re 1pW
Noise level spinning : 75 dB(A) re 1pW
Installation type : Freestanding



Series 8, washing machine, front loader, 10 kg, 1600 rpm WGB25600AU

An advanced washing machine with ActiveWater Plus which saves up to 50% water and reduces your ironing pile with Iron Assist.

Capacity

- Capacity: 10 kg

Consumption rates

- 5 Star Energy Rating
- Energy consumption 250 kWh per year, based on Cottons Eco, 60°C, program at 1600 RPM seven times per week. When tested in accordance with AS/NZS 2040.2. Actual energy use and running costs will depend on how you use the appliance.
- 5 Star Water rating (WELS)
- Water consumption 75 l litres per wash, using the Cottons Eco, 60°C, program at 1600 RPM. In accordance with AS/NZS 6400. Actual water consumption will depend on how the appliance is used. C02320.

Design

- Elegant and ergonomically inclined control panel for easy use

Programs

- Iron Assist: Steam programme that reduces wrinkles on dry clothes
- Stain automatic - 6 stains at the touch of a button, 10 further stains via Home Connect
- programmes via app: Down, Curtains, Towels, Shirts
- Standard programs:
 - Cottons: hard-wearing items made from cotton, linen or blended fabrics
 - Cotton Eco: energy-saving program
 - Easy care: items made from synthetic or blended fabrics
 - Delicate/Silk: delicate, washable items made from silk, viscose and synthetics
 - Wool: hand or machine washable items that are made from wool or contain wool
- TouchControl buttons include:
 - child lock
 - Intensive Plus: extend the program by up to 30 minutes, for heavily soiled items
 - night wash
 - Prewash options for stubborn stains and heavily soiled garments
 - Finish in (delayed start): delay the start of the program by up to 24 hours
 - Single item
 - Spin Speed: manually adjust the spin speed
 - AntiStain: Selection options of Grass, Red Wine, Oil/Butter and Blood
 - Start/Pause with Reload function: allows you to add a forgotten garment even after the wash cycle has started
 - Temperature selection: manually adjust the temperature
 - SpeedPerfect: reduce cleaning time by up to 65%
 - Rinse Plus
- Additional specialty programs:
 - App
 - Iron Assist - with added steam for wrinkle reduction
 - Hygiene Plus
 - Jeans/dark laundry
 - Spin/Drain: spins and drains the water
 - Mixed: lightly soiled items made from cotton, linen or blended fabrics
 - Sportswear: sports and leisure items made from synthetic fibres, microfibre or fleece
 - Rinse: rinses and then spins the laundry, and then drains the water
 - Super 15'/30': short program for small lightly soiled items

Performance

- Spin speed 400 - 1600 rpm
- Operating noise level (based on Cotton 60°C program): wash 46 / 75 spin dB(A)

Features

- Home Connect: Remote Monitoring and Control, Energy Management, Remote Diagnostics, further programmes

via download. Always keep your appliance up to date via firmware update.

- ActiveWater Plus: for highly efficient use of water even with small loads thanks to automatic load detection.
- 4D Wash System: highly efficient and even water and detergent penetration for spotless results
- Hygiene Plus: clean laundry and killing germs effectively
- Mini Load: Wash single items and small loads efficiently
- Reload function to pause machine operation for adding in last minute laundry items
- Automatic load detection
- LED interior drum light bathes the inside of the drum in a brilliant white light when opened
- VarioDrum: thorough yet gentle washing thanks to the unique drum structure design
- Large porthole, black-chrome, black with 182° door for easy loading/unloading
- EcoSilence Drive: quiet, durable, and energy-efficient brushless motor (BLDC) with 10-year motor warranty
- AntiVibration Side Panels reduce vibrations and noise levels, making it extremely quiet during the spin cycle
- Aqua Protection Plus anti-flood protection with self-sealing hose, minimises the risk of flooding
- Self cleaning detergent drawer to remove detergent residue, From front
- Overdosage indication
- Foam detection system to remove excessive foam
- Unbalanced load detection
- Buzzer at the end of the programme
- Consumption Indication: Information about energy consumption

Technical Information

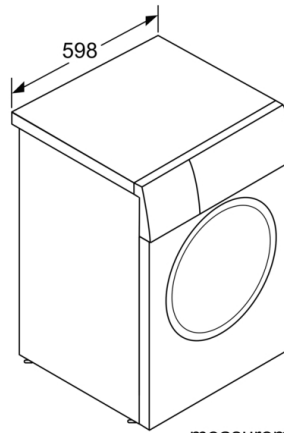
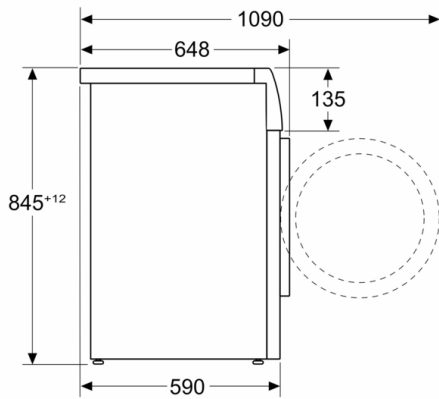
- Dimensions (H x W x D): 84.5 cm x 59.8 cm x 59.0 cm (64.8 cm including door handle)
- Slide-under height of 85cm
- Stackable with a stacking kit fitting to the tumble dryer
- Operating noise level (based on Cotton 60°C program): wash 46 / spin 75 dB(A)

Safety

- Child safety control lock

**Series 8, washing machine, front loader, 10
kg, 1600 rpm
WGB25600AU**

Measurements in mm



measurements in mm