

**Series 6, washing machine, front loader, 9 kg, 1400 rpm  
WGA244U0AU**



**9kg capacity washing machine with the innovative Anti-Stain function and EcoSilence Drive brushless motor for durability and quiet washing**

- **AntiStain:** reliably removes 4 common stains.
- **EcoSilence Drive™:** quiet and energy-efficient drive, with a 10-year warranty.
- **Allergy Plus:** developed for allergy sufferers and people with sensitive skin.
- **Speed Perfect:** perfectly clean in up to 65% less time
- .
- **Vario Drum:** gently and efficiently wash with even water distribution and without creasing garments.

---

Maximum capacity in kg : .....	9.0 kg
Built-in / Free-standing: .....	Free-standing
Dimensions of the product: .....	848x598x590 mm
Net weight: .....	76.2 kg
Connection rating: .....	1900 W
Fuse protection: .....	10 A
Voltage: .....	220 V
Frequency: .....	50 Hz
Length electrical supply cord: .....	160.0 cm
Door hinge: .....	Left
Wheels: .....	No
EAN code: .....	4242005244935
Installation typology: .....	Free-standing

---

- WMZ2200 Floor securing component  
 WMZ2381 Extension for cold water inlet /Aquastop  
 WMZPW20W Platform with pull-out, washer, cubic



## Series 6, washing machine, front loader, 9 kg, 1400 rpm WGA244U0AU

### 9kg capacity washing machine with the innovative Anti-Stain function and EcoSilence Drive brushless motor for durability and quiet washing

#### Capacity

- Capacity: 9 kg

#### Consumption rates

- 5 Star energy rating
- Energy consumption 208 kWh per year based on Cottons Eco program at 60°C, with 1400 RPM spin speed, seven times per week. When tested in accordance with AS/NZS 2040.2. Actual energy consumption will depend on how the appliance is used.
- 4.5 Star water rating (WELS)
- Water consumption 78 l litres per wash. Using the Cottons Eco program at 60°C with 1400 RPM spin speed. In accordance with AS/NZS 6400. Actual water consumption will depend on how the appliance is used. AU WELS Registration Number: C01968.

#### Programs

- Standard programs:
  - Cottons: hard-wearing items made from cotton, linen or blended fabrics
  - Cotton Eco: energy-saving program
  - Easy care: items made from synthetic or blended fabrics
  - Delicate/Silk: delicate, washable items made from silk, viscose and synthetics
  - Wool: hand or machine washable items that are made from wool or contain wool
- Additional specialty programs:
  - AllergyPlus/Hygienic: suits items that need to be hygienically clean such as towels, bed sheets or pillow cases
  - Drum Clean: cleaning and care program for the drum with reminder function
  - Kidswear: energy optimised program for heat-resistant items made of cotton or linen
  - Mixed: lightly soiled items made from cotton, linen, or blended fabrics
  - Spin/Drain: spins and drains the water
  - Sportswear: sports and leisure items made from synthetic fibres, microfibre or fleece
  - Rinse: rinses and then spins the laundry, and then drains the water
  - Quilts: items stuffed with down and synthetic fibres, such as pillows, quilts and bedspreads
  - Super 15'/30': short program for small lightly soiled items

#### Performance

- Automatic stain removal system with 4 stain options - activatable with standard programs. Simply select the type of stain on the display and then the temperature, drum movement and soaking time will automatically adjust to the optimal settings
- ActiveWater Plus: for highly efficient use of water even with small loads thanks to automatic load detection.
- EcoSilence Drive: quiet, durable, and energy-efficient brushless motor (BLDC) with 10-year motor warranty
- VarioDrum: thorough yet gentle washing thanks to the unique drum structure design
- Spin speed 400 - 1400 rpm

#### Design

- Large LED display for program status, temperature, spin speed, and time remaining
- AntiVibration Side Panels reduce vibrations and noise levels,

making it extremely quiet during the spin cycle

#### Features

- TouchControl buttons include:
- Easy Iron: reduces creasing thanks to a special spin sequence
- Prewash options for stubborn stains and heavily soiled garments
- Finish in (delayed start): delay the start of the program by up to 24 hours
- Rinse Plus: Adds more rinse cycles, suited for highly soiled clothing
- SpeedPerfect: allows you to reduce the wash program time
- Spin Speed: manually adjust the spin speed
- AntiStain: Selection options of Grass, Red Wine, Oil/Butter and Blood
- Start/Pause with Reload function: allows you to add a forgotten garment even after the wash cycle has started
- Temperature selection: manually adjust the temperature
- Reload function to pause machine operation for adding in last minute laundry items
- Self cleaning detergent drawer to remove detergent residue, From front
- Drum Clean reminder function: the LED indicator will flash when a drum clean is required
- SpeedPerfect: perfectly clean in up to 65% less time.
- Large porthole, silver-black grey with 165° door for easy loading/unloading

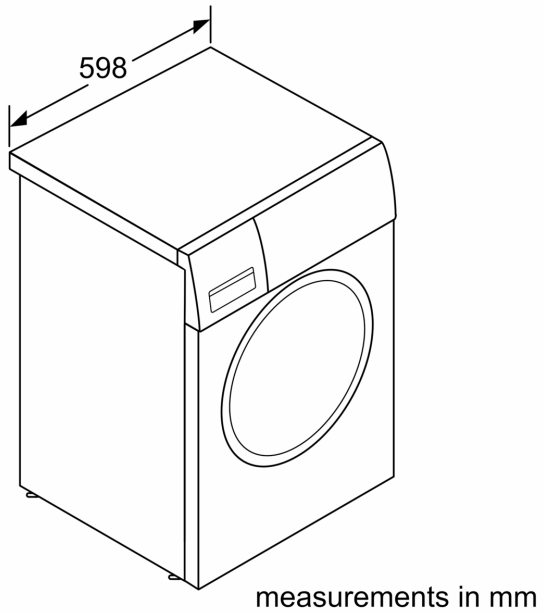
#### Safety

- Aqua Protection Plus anti-flood protection with self-sealing hose, minimises the risk of flooding
- Child lock for door and buttons

#### Technical Information

- Dimensions (H x W x D): 84.8 cm x 59.8 cm x 59.0 cm (63.6 cm including door handle)
- Operating noise level (based on Cotton 60°C program): wash 44 / 68 spin dB(A)

**Series 6, washing machine, front loader, 9 kg, 1400 rpm  
WGA244U0AU**



Measurements in mm

