

**Series 8, washing machine, front loader, 9 kg, 1400 rpm
WAV28M40AU**



4D Wash System with an innovative Anti-Stain button, select one of 4 stain options to automatically adjust the wash settings for optimal stain removal

- **AntiStain:** reliably removes 4 common stains.
- **4D Wash System:** highly efficient water and detergent penetration for spotless results.
- **Eco Silence Drive™:** the efficient and highly durable washing machine drive.
- **Allergy Plus:** developed for allergy sufferers and people with sensitive skin.
- **Speed Perfect:** perfectly clean in up to 65% less time
- .

Maximum capacity in kg : 9.0 kg
 Built-in / Free-standing: Free-standing
 Dimensions of the product: 848 x 598 x 590 mm
 Net weight: 72.8 kg
 Connection rating: 2300 W
 Fuse protection: 10 A
 Voltage: 220-240 V
 Frequency: 50 Hz
 Length electrical supply cord: 160.0 cm
 Door hinge: Left
 Wheels: No
 EAN code: 4242005220991
 Installation typology: Free-standing

- WMZ2200 Floor securing component
 WMZ2381 Extension for cold water inlet /Aquastop
 WMZPW20W Platform with pull-out, washer, cubic



Series 8, washing machine, front loader, 9 kg, 1400 rpm WAV28M40AU

4D Wash System with an innovative Anti-Stain button, select one of 4 stain options to automatically adjust the wash settings for optimal stain removal

Capacity

- Capacity: 9 kg

Consumption rates

- 5 Star Energy Rating
- Energy consumption 207 kWh per year, based on Cottons Eco, 60°C, program at 1400 RPM seven times per week. When tested in accordance with AS/NZS 2040.2. Actual energy use and running costs will depend on how you use the appliance.
- 5 Star water rating (WELS)
- Water consumption 65 l litres per wash, using the Cottons Eco, 60°C, program at 1400 RPM. In accordance with AS/NZS 6400. Actual water consumption will depend on how the appliance is used. AU WELS Registration Number: C01900.

Programs

- Standard programs:
 - Cottons: hard-wearing items made from cotton, linen or blended fabrics Cotton Eco: energy-saving program Easy care: items made from synthetic or blended fabrics Delicate/Silk: delicate, washable items made from silk, viscose and synthetics Wool: hand or machine washable items that are made from wool or contain wool
- Additional specialty programs:
 - AllergyPlus/Hygienic: suits items that need to be hygienically clean such as towels, bed sheets or pillow cases
 - Drum Clean: cleaning and care program for the drum with reminder function Shirts/Blouses: non-iron shirts and blouses made from cotton, linen, or blended fabrics Night Wash: for quiet washing operation Spin/Drain: spins and drains the water Mixed: lightly soiled items made from cotton, linen or blended fabrics Sportswear: sports and leisure items made from synthetic fibres, microfibre or fleece Rinse: rinses and then spins the laundry, and then drains the water Super 15'/30': short program for small lightly soiled items

Performance

- Automatic stain removal system with 4 stain options - activatable with standard programs. Simply select the type of stain on the display and then the temperature, drum movement and soaking time will automatically adjust to the optimal settings
- 4D Wash System: highly efficient and even water and detergent penetration for spotless results
- VarioDrum: thorough yet gentle washing thanks to the unique drum structure design
- EcoSilence Drive: quiet, durable, and energy-efficient brushless motor (BLDC) with 10-year motor warranty
- Automatic load detection for precise detection of loaded laundry, allows the washing machine to automatically adjust the amount of water needed for every wash
- AntiVibration Side Panels reduce vibrations and noise levels, making it extremely quiet during the spin cycle
- Spin speed 400 - 1400 rpm

Design

- TouchControl buttons include:
 - Easy Iron: reduces creasing thanks to a special spin sequence
 - Rinse Plus: Adds more rinse cycles, suited for highly soiled clothing
 - Intensive Plus: extend the program by up to 30 minutes, for heavily soiled items Prewash options for stubborn stains and heavily soiled garments Finish in (delayed start): delay the start of the program by up to 24 hours Spin Speed: manually adjust the spin speed
 - AntiStain: Selection options of Grass, Red Wine, Oil/Butter and Blood Start/Pause with Reload function: allows you to add a forgotten garment even after the wash cycle has started
 - Temperature selection: manually adjust the temperature
 - SpeedPerfect: reduce cleaning time by up to 65%
- Illuminated control dial with integrated power On/Off button
- Large multicolour LED display for program status, temperature, spin speed, energy/water consumption, stain type selection, and time remaining
- LED interior drum light bathes the inside of the drum in a brilliant white light when opened
- Large porthole, chrome, blackgrey with 171° door for easy loading/unloading

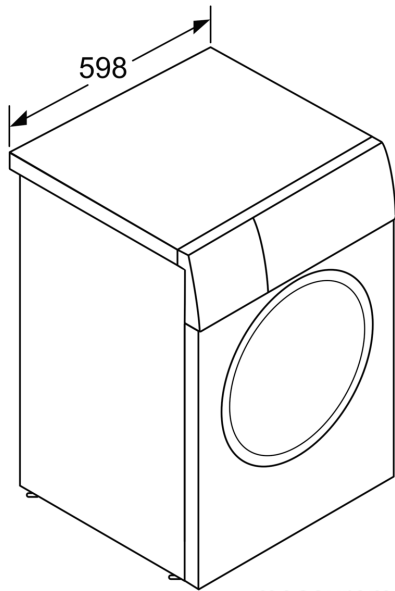
Features

- Reload function to pause machine operation for adding in last minute laundry items
- Drum Clean reminder function: the LED indicator will flash when a drum clean is required
- Consumption Indication: Information about energy and water consumption for program selected
- Foam detection system to remove excessive foam
- Self cleaning detergent drawer to remove detergent residue, From front

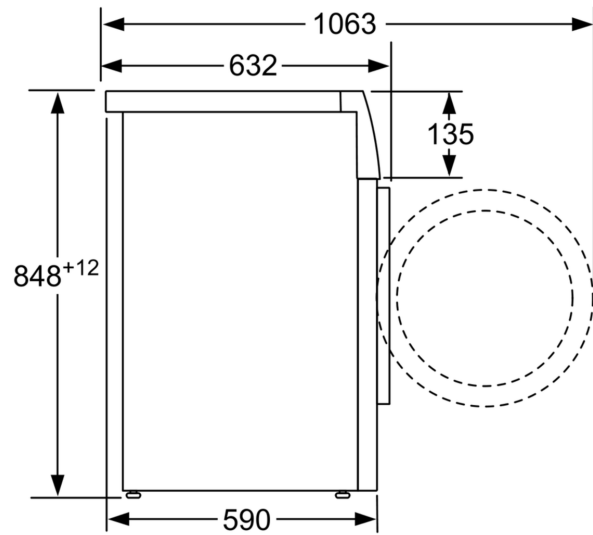
Technical Information

- Dimensions (H x W x D): 84.8 cm x 59.8 cm x 59.0 cm (63.2 cm including door handle)
- Aqua Protection Plus anti-flood protection with self-sealing hose, minimises the risk of flooding
- Child lock for door and buttons

**Series 8, washing machine, front loader, 9 kg, 1400 rpm
WAV28M40AU**



measurements in mm



measurements in mm