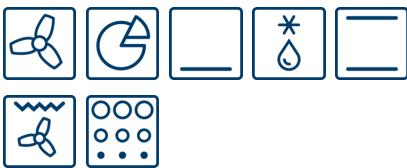


Serie | 6, Oven, 90 cm, Stainless steel VBD578FS0



Included accessories

- 1 x enamel baking tray
- 1 x rotary spit
- 1 x insert grid
- 2 x combination grid
- 1 x universal pan

The built-in oven with hotair, 90 cm width: achieve perfect baking and roasting results for big roasts or dishes of large quantities

- **Pop-out controls:** for an easy to clean front.
- **Pyrolytic self-cleaning:** no cleaning effort thanks to automatic self-cleaning.
- Easy to clean grey enamel interior
- **Level independent telescopic rail (clip-on rail):** can be placed in any cooking level.

Technical Data

Color / Material Front :	Stainless steel
Built-in / Free-standing :	Built-in
Integrated Cleaning system :	Pyrolytic
Required niche size for installation (HxWxD) :	600-604 x 860-864 x 560
Dimensions of the product (mm) :	594 x 896 x 570
Dimensions of the packed product (HxWxD) (mm) :	690 x 680 x 968
Control Panel Material :	brushed stainless steel
Door Material :	Glass
Net weight (kg) :	63.552
Usable volume of cavity (l) :	112
Cooking method :	Bottom heat, Circulating air, Circulating air-Eco, Conventional heat, Defrost, Full width grill, Hot air grilling, Hot Air Standard, Pizza setting, Rotisserie
First cavity material :	Other
Temperature control :	electronic
Number of interior lights :	2
Approval certificates :	Australia Standards
Length electrical supply cord (cm) :	115
EAN code :	4242005051861
Number of cavities (2010/30/EC) :	1
Energy efficiency class (2010/30/EC) :	A+
Energy consumption per cycle conventional (2010/30/EC) :	0.83
Energy consumption per cycle forced air convection (2010/30/EC) :	1.40
Energy efficiency index (2010/30/EC) :	81.4
Connection Rating (W) :	4200
Current (A) :	20; 12
Voltage (V) :	220-240
Frequency (Hz) :	50; 60
Plug type :	no plug



4 242005 051861

Serie | 6, Oven, 90 cm, Stainless steel VBD578FS0

**The built-in oven with hotair, 90 cm width:
achieve perfect baking and roasting results
for big roasts or dishes of large quantities**

Heating Functions

- 90 cm built-in oven with 10 heating methods:
 - Hot Air Standard
 - Top/bottom heating
 - Circulating Air
 - Hot air grilling
 - Full width grill
 - Pizza setting
 - Bottom heating
 - Defrost
- Temperature range 50 °C - 280 °C
- Rapid heating-up

Hook-in racks / rails

- 1 set of level independent telescopic rails (Clip-on rail)

Design

- Rotary control knobs, Retractable control knobs, Touch control
- Extra large capacity oven with grey enamel
- Enamel grey with 5 shelf positions
- Cavity volume: 112 l

Cleaning

- 3 Stage pyrolytic cleaning
- Full glass inner door

Convenience

- LCD-display control (white)
- Electronic clock/timer with end time programming
- Drop down door
- Halogen lighting
- Cooling fan
- Bar handle

Accessories

- 1 x enamel baking tray, 1 x rotary spit, 1 x insert grid, 2 x combination grid, 1 x universal pan

Safety and Environment

- Maximum door temperature 40° C
- Electronic door lock
 - Child lock function
 - Automatic safety switch off function
 - Residual heat indicator
 - door contact switch

2 year warranty

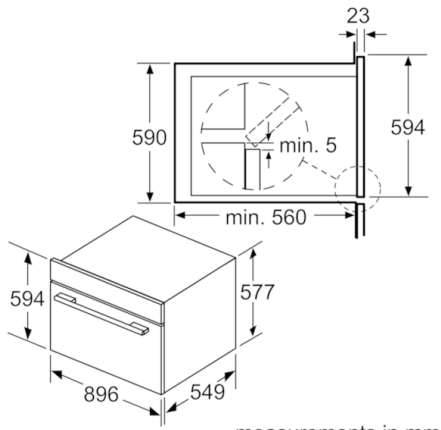
Technical Info

- Length of mains cable: 115 cm
- Nominal voltage: 220 - 240 V
- Total connected load electric: 4.2 KW

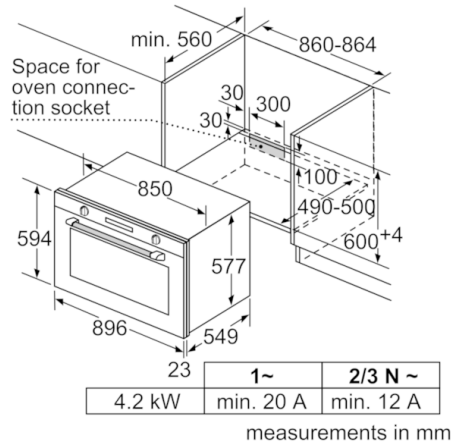
Dimensions

- Appliance dimensions (HxWxD): 594 mm x 896 mm x 570 mm
- Installation dimensions (HxWxD): 600 mm - 604 mm x 860 mm - 864 mm x 560 mm
- Please reference the built-in dimensions provided in the installation drawing

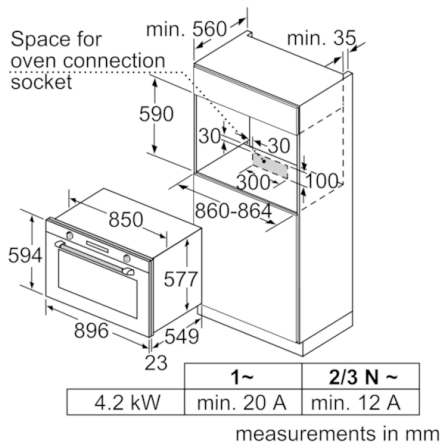
**Serie | 6, Oven, 90 cm, Stainless steel
VBD578FS0**



measurements in mm



measurements in mm



measurements in mm