

**Serie | 6, fully-integrated dishwasher,
60 cm
SMV66MX01A**



Door panel not included. Match to kitchen cabinetry.



Optional accessories

SMZ5100 : Vario-cutlery basket

ActiveWater Dishwasher: 15 place setting capacity, brilliant cleaning and drying results with very low energy and water consumption.

- **ExtraDry:** option for additional drying.
- **Rackmatic:** top basket adjustable on three levels offers additional space, especially for tall dishes.
- **Rackmatic:** height-adjustable dishwasher basket for taller items.
- **AquaStop:** Bosch's warranty in case of water damage – throughout the lifetime of the appliance.*

Technical Data

Water consumption : 12.0 l

Built-in / Free-standing : Built-in

Height of removable worktop : 0 mm

Dimensions of the product (HxWxD) : 815 x 598 x 550 mm

Required niche size for installation (HxWxD) : 815-875 x 600 x 550 mm

Depth with open door 90 degree : 1150 mm

Adjustable feet : Yes - all from front

Maximum adjustability feet : 60 mm

Adjustable plinth : Both horizontal and vertical

Net weight : 37.2 kg

Gross weight : 39.5 kg

Connection Rating : 2400 W

Fuse protection : 10 A

Voltage : 220-240 V

Frequency : 50; 60 Hz

Length electrical supply cord : 175 cm

Plug type : AU plug

Length inlet hose : 165 cm

Length outlet hose : 190 cm

EAN code : 4242002991962

Number of place settings : 15

Energy consumption : 0.64 kWh

Reference programme : Eco

Total cycle time of reference programme : 170 min

Noise level : 44 dB(A) re 1 pW

Installation typology : Fully-integrated



4 242002 991962

Serie | 6, fully-integrated dishwasher, 60 cm SMV66MX01A

ActiveWater Dishwasher: 15 place setting capacity, brilliant cleaning and drying results with very low energy and water consumption.

Capacity

- 15 international place settings

Consumption rates

- 4 Star energy rating, 5 Star WELS water rating
- 12 litres water consumption per wash and 235kWh energy consumption per year, based on Eco 45°C program

Design

- Fully-integrated Dishwasher - 60 cm wide
- Stainless steel interior tub
- Effortless door closing: The door self-closes when below a 20° angle.
- Hidden control buttons integrated into the top of the door

Wash Programs and Options

- 6 programs:
 - , - Auto Intensive: Pots & Pans. Baked-on food & grease, 65-75 °C.
 - , - Auto Wash: Automatic wash & dry. Mixed loads & soil levels, 45-65°C.
 - , - Super Wash: Powerful wash with improved drying, 60 °C.
 - , - Eco Wash: Energy efficient wash & dry. Mixed loads & soil levels, 45°C.
 - , - Quick Wash, 60 minutes: Quick wash & dry in 60 minutes. Mixed loads & soil levels, 65 °C.
 - , - Quick Wash, 29 minutes (with use of rinse aid): Express wash only. Lightly soiled dishes, 45 °C.
- 4 special options:
 - Machine Care: Helps remove grime and limescale buildup for optimum performance.
 - , - SpeedPerfect: Up to 50% faster wash time.
 - , - HalfLoad: For half loads, reduces energy, water & time.
 - , - ExtraDry: Provides an even better drying result.

Performance

- ActiveWater™: Automatic load adjustment recognises the load condition in three steps and ensures that only the amount of electricity and water required for that load is used
- DosageAssist™: Maximises the effectiveness of detergent tablets. The tablet is dropped into a specially engineered tray and is completely dissolved. For superior cleaning performance and a quieter wash.
- EcoSilence Drive® quiet and energy-efficient brushless motor (BLDC)
 - BLDC Main Pump: Variable water & spray pressure to achieve optimum cleaning results
 - BLDC Drain Pump: Fast and extra quiet draining of water, no gargling sounds
- AquaSensor™ technology: Regulates the water usage depending on the type and degree of soiling, LoadSensor

technology: Provides for optimal water usage even for half loads or partial loads, saving water and electricity

- AutoBrilliance™: Automatic detergent and rinse aid sensor
- hydroDry heat exchanger assists with condensation to help dry dishes
- 3 stage self-cleaning filter system: design that helps reduce the need to wash the filter and prevents blockages
- Alternating spray-arm washing
- 5 Spray levels for maximum water contact and optimum wash results

Flexibility

- VarioDrawer™: Provides an extra loading level for cutlery and utensils
- Basket system with red coloured touchpoints provides total flexibility for all loading requirements
- 4 foldable plate racks in top basket
- 4 foldable plate racks in bottom basket
- 2 foldable cup shelves in top basket
- 4 foldable plate racks in bottom basket
- RackmaticPlus™: 3-stage top basket can be adjusted to three height levels to maximise convenience

Included Accessories

- Moveable cutlery basket in lower basket
- 3 x Small Parts holders: Perfect for baby bottles and small accessories, Large item spray head: For washing extra large items such as baking trays, Vapour barrier protection plate

Convenience

- Whisper Quiet: Operates at a low noise level of 44dB(A)
- InfoLight® - program status indicator
- Time remaining display
- Audible program end
- Time delay start: Delay program start time by 1-24 hours to suit your schedule
- Electronic rinse aid indicator
- Last program used memory function

Safety

- AquaStop™ Plus: Water supply device with lifetime anti-flood protection
- Child door lock

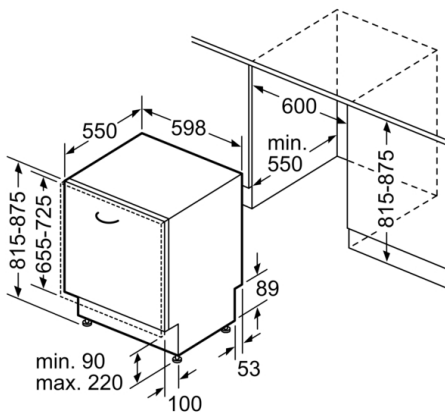
2 year warranty

- 10 year rust-through warranty for the inner tub

Dimensions

- Height 815-875 mm x Width 598 mm x Depth 550 mm

**Serie | 6, fully-integrated dishwasher, 60 cm
SMV66MX01A**



measurements in mm

