

Series 8, built-under dishwasher, 60 cm, Brushed steel anti-fingerprint SMU8EDS01A



Better drying results via AutoDoor open technology and comfortable loading with extra 3rd rack for all your difficult to place items.

- **EfficientDry:** improved drying performance by automatic door opening.
- **Max Flex Pro baskets:** easy loading with protection for your dishes.
- **Extra Space 3rd Basket:** additional basket provides more space for smaller or odd shaped kitchen items.
- **The Silence plus dishwasher is pleasingly quiet at just 42 dB.**
- **Home Connect: home appliances with smart connectivity for an easier everyday life**

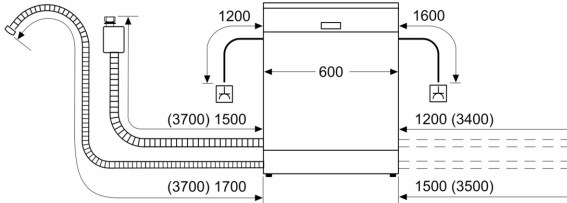
Maximum number of place settings: 14
 Water consumption in litres per cycle of the eco programme: ... 11.5 l
 Built-in / Free-standing: Built-in
 Height of removable worktop: 0 mm
 Dimensions of the product (HxWxD): 815 x 598 x 573 mm
 Required niche size for installation (HxWxD): 815-875 x 600 x 550 mm
 Depth with open door 90 degree: 1150 mm
 Adjustable feet: Yes - all from front
 Maximum adjustability feet: 60 mm
 Adjustable plinth: Both horizontal and vertical
 Net weight: 46.1 kg
 Gross weight: 48.0 kg
 Connection rating: 2400 W
 Fuse protection: 10 A
 Voltage: 220-240 V
 Frequency: 50; 60 Hz
 Length electrical supply cord: 175.0 cm
 Plug type: AU plug
 Length inlet hose: 165 cm
 Length outlet hose: 190 cm
 EAN code: 4242005279869
 Installation typology: Built-under

- SGZ0BI01 decorative strips stainless steel 81,5cm
- SGZ1010 inlet and outlet hose extention
- SGZ6DB04 Vario Drawer for Max Flex Pro Baskets
- SMZ2014 Rack insert for stemware dishwasher
- SMZ5150AU Kick panel stainless steel
- SMZ5300 GlassSecure Tray

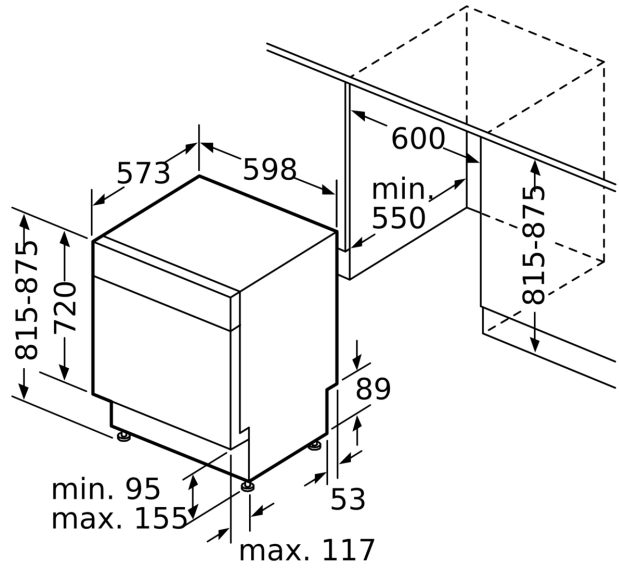


Series 8, built-under dishwasher, 60 cm, Brushed steel anti-fingerprint SMU8EDS01A

measurements in mm



⌚ socket
() values with extension kit



measurements in m