

Series 4, built-under dishwasher, 60 cm, Brushed steel anti-fingerprint SMU4HTS01A



Dishwasher with Wifi connectivity and flexible loading.

- **ExtraDry:** option for additional drying.
- **VarioFlex baskets:** enhanced flexibility in basket creates more space for your dishes.
- **Rackmatic:** top basket adjustable on three levels offers additional space, especially for tall dishes.
- **Home Connect:** home appliances with smart connectivity for an easier everyday life.
- **Favourite function:** personalized function by just one touch even for downloaded programs.

Maximum number of place settings: 14
 Water consumption in litres per cycle of the eco programme: ... 13.5 l
 Built-in / Free-standing: Built-in
 Height of removable worktop: 0 mm
 Dimensions of the product (HxWxD): 815 x 598 x 573 mm
 Min. required niche size for installation (HxWxD): 815-875 x 600 x 550 mm
 Depth with open door 90 degree: 1155 mm
 Adjustable feet: Yes - all from front
 Maximum adjustability feet: 60 mm
 Adjustable plinth: Both horizontal and vertical
 Net weight: 35.0 kg
 Gross weight: 36.9 kg
 Connection rating: 2400 W
 Fuse protection: 10 A
 Voltage: 220-240 V
 Frequency: 50; 60 Hz
 Length electrical supply cord: 175.0 cm
 Plug type: AU plug
 Length inlet hose: 165 cm
 Length outlet hose: 190 cm
 EAN code: 4242005284986
 Installation typology: Built-under

SGZ0BI02	decorative strips stainless steel 81,5cm
SGZ1010	inlet and outlet hose extention
SMZ2014	Rack insert for stemware dishwasher
SMZ5000	Dishwashing aid set
SMZ5002	Silver polishing cassette
SMZ5150AU	Kick panel stainless steel



Series 4, built-under dishwasher, 60 cm, Brushed steel anti-fingerprint SMU4HTS01A

Dishwasher with Wifi connectivity and flexible loading.

Capacity

- 14 place settings

Consumption rates

- 4 stars Star energy rating, 4,0 stars Star WELS water rating. AU WELS Registration Number: D02579.
- Water consumption of 13.5 litres per wash using Eco AU in accordance with AS/NZS 6400 and Energy consumption of 230 kwh per year using the Eco AU program seven times per week. Consumption is based on cold water connection and is tested in accordance with AS/NZS 2007.2

Design

- Polinox inner tub: The Polinox inner tub is extremely durable, odourless and rust-free. German engineered with robust materials that withstand dints, scratches and discolouration, based on 10 year simulation tests.
- Anti-fingerprint stainless steel finish

Wash Programs and Options

- 6 programmes:
- Eco Wash : Energy efficient wash & dry. Mixed loads & soil levels 45 °C,
- Auto Wash: automatic wash & dry for Mixed loads & soil levels 45-65 °C,
- Pots and Pans : For heavily soiled dishes 70 °C,
- Quick 1hr : Quick wash & dry. Mixed loads & soil levels. 65 °C,
- Glass Wash: for sensitive glassware, crystal, & fine china 40 °C,
- Favourite: set or download your favourite combination of program and options
- Special options:
- Extra Dry: Provides an even better drying result by extending the drying time
- HygienePlus : Extended increased temperature program for hygienic cleaning
- SpeedPerfect : Reduce wash time even after cycle has started
- Machine Care: maintains your dishwasher's optimum performance and hygiene option

Performance

- hydroDry heat exchanger assists with condensation to help dry dishes
- DosageAssist™: Maximises the effectiveness of detergent tablets. The tablet is dropped into a specially engineered tray and is completely dissolved. For superior cleaning performance and a quieter wash.
- EcoSilence Drive® quiet and energy-efficient brushless motor (BLDC)
- BLDC Main Pump: Variable water & spray pressure to achieve optimum cleaning results BLDC Drain Pump: Fast and extra quiet draining of water, no gurgling sounds
- AutoBrilliance™: Automatic detergent and rinse aid sensor
- AquaSensor™ technology: Regulates the water usage depending on the type and degree of soiling

- 5 Spray levels for maximum water contact and optimum wash results
- 3 stage self-cleaning filter system: design that helps reduce the need to wash the filter and prevents blockages

Flexibility

- VarioFlex™ basket system
- RackmaticPlus™: 3-stage top basket can be adjusted to three height levels to maximise convenience
- Low friction wheels on bottom basket
- Rack Stopper to prevent derailing of bottom basket
- 2 foldable plate racks in top basket
- 4 foldable plate racks in bottom basket
- Moveable cutlery basket in lower basket
- 2 foldable plate racks in top basket

Convenience

- Very quiet operation - 46 dB
- HomeConnect via WiFi Connectivity
- Time remaining display
- Time delay start: Delay program start time by 1-24 hours to suit your schedule
- Large item spray head: For washing extra large items such as baking trays, Vapour barrier protection plate

Safety

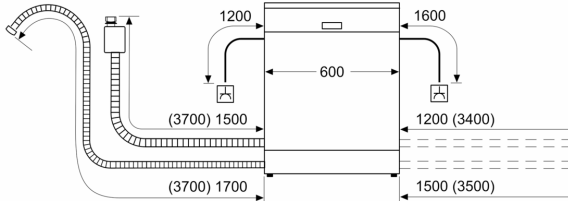
- AquaStop™ Plus: Water supply device with lifetime anti-flood protection
- Child door lock

Product Dimensions (H x W x D)

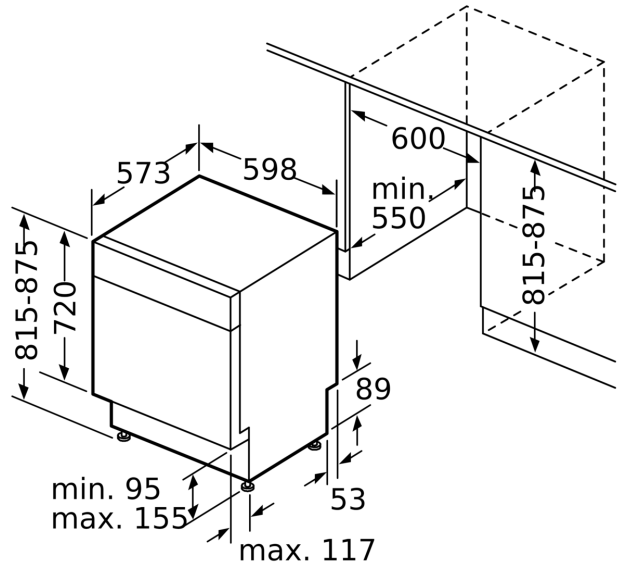
- H: 815 mm x W: 598 mm x D: 573 mm

Series 4, built-under dishwasher, 60 cm, Brushed steel anti-fingerprint SMU4HTS01A

measurements in mm



socket
() values with extension kit



measurements in m