

**Serie | 8, fully-integrated dishwasher,
60 cm, XXL
SBV88TX06A**



Door panel not included. Match to kitchen cabinetry.



Optional accessories

SMZ5100 : Vario-cutlery basket

Packed with premium features and boasting an extra-large capacity for tall items, the new tall tub dishwasher is our quietest dishwasher yet, operating at only 42dB.

- **PerfectDry based on Zeolith®:** perfect drying results with 3D Airflow even on plastic dishes.
- **Auto Programs:** Automatically optimised for the best wash performance and energy and water consumption via aquasensor that detects the level of soiling and accordingly adjusts the program
- **Extremely Quiet :** Operates at a low noise level of 42dB(A)
- **Third loading level for cutlery & utensils:** Provides extra loading flexibility and convenience for cutlery, cups, and large utensils.
- **Rackmatic:** top basket adjustable on three levels offers additional space, especially for tall dishes.

Technical Data

Water consumption : 12.0 l

Built-in / Free-standing : Built-in

Height of removable worktop : 0 mm

Dimensions of the product (HxWxD) : 865 x 598 x 550 mm

Required niche size for installation (HxWxD) : 865-925 x 600 x 550 mm

Depth with open door 90 degree : 1200 mm

Adjustable feet : Yes - all from front

Maximum adjustability feet : 60 mm

Adjustable plinth : Both horizontal and vertical

Net weight : 48.2 kg

Gross weight : 50.5 kg

Connection Rating : 2400 W

Fuse protection : 10 A

Voltage : 220-240 V

Frequency : 50; 60 Hz

Length electrical supply cord : 175 cm

Plug type : AU plug

Length inlet hose : 165 cm

Length outlet hose : 190 cm

EAN code : 4242005210480

Number of place settings : 15

Energy consumption : 0.55 kWh

Reference programme : Eco

Total cycle time of reference programme : 160 min

Noise level : 42 dB(A) re 1 pW

Installation typology : Fully-integrated



4 242005 210480

Serie | 8, fully-integrated dishwasher, 60 cm, XXL SBV88TX06A

Packed with premium features and boasting an extra-large capacity for tall items, the new tall tub dishwasher is our quietest dishwasher yet, operating at only 42dB.

- Zeolith® Drying Technology: Unique ground-breaking technology absorbs water molecules to dry dishes quicker with ultimate energy efficiency

Capacity

- 15 international place settings

Consumption rates

- 4.5 Star energy rating, 5 Star WELS water rating
- 12 litres water consumption per wash and 205kWh energy consumption per year, based on Eco 45°C program

Design

- Fully-integrated Tall Tub Dishwasher - 60 cm wide
- Stainless steel interior tub
- Effortless door closing: The door self-closes when below a 20° angle.
- SoftTouch buttons: Electronic soft-touch activated buttons
- Hidden control buttons integrated into the top of the door

Wash Programs & Options

- 8 programs: , - Auto Intensive: Pots & Pans. Baked-on food & grease, 65-75°C.
 - , - Auto Gentle: Delicate items. Lightly soiled dishes, 35-45°C.
 - , Auto Wash: Automatic wash & dry. Mixed loads & soil levels, 45-65°C.
 - , - Eco Wash: Energy efficient wash & dry. Mixed loads & soil levels, 45°C.
 - , - ExtraQuiet 40dB: Extended quiet wash & dry. Mixed loads & soil levels, 50°C.
 - , Quick 60min, 65°C
 - , Quick 29min, 45°C.
 - , Pre-Rinse: Rinse cycle only.
- Shine & Dry: A special drying cycle that gently brings out a streak-free shine and extra dry result in the most delicate glassware, tableware, plastics, pots and pans. - SpeedPerfect: Up to 50% faster wash time. HygienePlus: Reduces bacteria from utensils & crockery - Half Load: For half loads (up to 7 place settings), reduces energy, water & time.

Performance

- ActiveWater™: Automatic load adjustment recognises the load condition in three steps and ensures that only the amount of electricity and water required for that load is used
- DosageAssist™: Maximises the effectiveness of detergent tablets. The tablet is dropped into a specially engineered

tray and is completely dissolved. For superior cleaning performance and a quieter wash.

- EcoSilence Drive® quiet and energy-efficient brushless motor (BLDC)
 - BLDC Main Pump: Variable water & spray pressure to achieve optimum cleaning results
 - BLDC Drain Pump: Fast and extra quiet draining of water, no gargling sounds
- AquaSensor™ technology: Regulates the water usage depending on the type and degree of soiling, LoadSensor technology: Provides for optimal water usage even for half loads or partial loads, saving water and electricity
- AutoBrilliance™: Automatic detergent and rinse aid sensor
- hydroDry heat exchanger assists with condensation to help dry dishes
- 3 stage self-cleaning filter system: design that helps reduce the need to wash the filter and prevents blockages
- Alternating spray-arm washing
- 5 Spray levels for maximum water contact and optimum wash results

Flexibility

- VarioDrawer™ Pro: Third loading level for cutlery & utensils
- Basket system with red coloured touchpoints provides total flexibility for all loading requirements
- 6 foldable plate racks in top basket
- 8 foldable plate racks in bottom basket
- 2 foldable cup shelves in top basket
- 8 foldable plate racks in bottom basket
- RackmaticPlus™: 3-stage top basket can be adjusted to three height levels to maximise convenience
- Moveable cutlery basket in lower basket
- Glass rack in lower basket for tall stemmed glasses
- Large item spray head: For washing extra large items such as baking trays, Vapour barrier protection plate

Convenience

- SuperSilence: Operates at low noise level of 42 dB(A)
- EmotionLight: Internal lighting for increased visibility
- TimeLight™ remaining time is projected onto the floor
- TFT Display in full colour on inner door
- Audible program end
- Real time clock actual time display
- Time delay start: Delay program start time by 1-24 hours to suit your schedule
- Electronic rinse aid indicator
- Last program used memory function

Safety

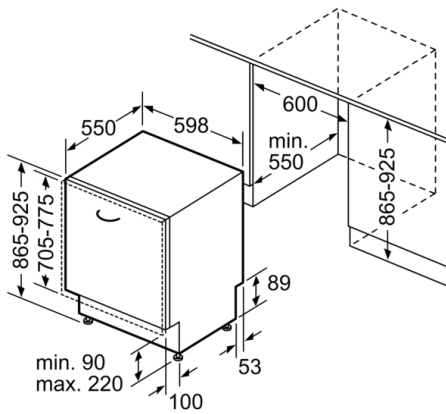
- AquaStop™ Plus: Water supply device with lifetime anti-flood protection
- Child door lock

2 year warranty

Dimensions

- Height 865-925 x Width 598 mm x Depth 550 mm
- 8 programs:
 - , - Auto Intensive: Pots & Pans. Baked-on food & grease, 65-75°C.
 - , - Auto Gentle: Delicate items. Lightly soiled dishes, 35-45°C.
 - , Auto Wash: Automatic wash & dry. Mixed loads & soil levels, 45-65°C.
 - , - Eco Wash: Energy efficient wash & dry. Mixed loads & soil levels, 45°C.
 - , - ExtraQuiet 40dB: Extended quiet wash & dry. Mixed loads & soil levels, 50°C.
 - , Quick 60min, Quick 60 minute wash & dry cycle. Mixed loads & soil levels, 60 minutes, 65°C
 - , Quick 29min, Express 29 minute wash only. Lightly soiled dishes, 29 minutes (with use of rinse aid), 45°C.
 - , Pre-Rinse: Rinse cycle only.

**Serie | 8, fully-integrated dishwasher, 60 cm,
XXL
SBV88TX06A**



measurements in mm

