

**Series 8, fully-integrated dishwasher,
60 cm, Tall Tub, variohinge
SBT8ZD801A**



**XXL TallTub dishwasher with PerfectDry
for optimal drying results and Extra Space
basket for additional loading capacity**

- **PerfectDry:** perfect drying results with low energy consumption even with hard-to-dry items.
- **Max Flex Pro baskets:** easy loading with protection for your dishes.
- **Rackmatic:** top basket adjustable on three levels offers additional space, especially for tall dishes.
- **Extra Space 3rd Basket:** additional basket provides more space for smaller or odd shaped kitchen items.
- **The Silence plus dishwasher is pleasingly quiet at just 42 dB.**

Maximum number of place settings: 14
 Water consumption in litres per cycle of the eco programme: ...11.5 l
 Built-in / Free-standing: Built-in
 Height of removable worktop: 0 mm
 Dimensions of the product (HxWxD):865 x 598 x 550 mm
 Min. required niche size for installation (HxWxD):865-925 x 600 x 550 mm
 Depth with open door 90 degree: 1200 mm
 Adjustable feet: Yes - all from front
 Maximum adjustability feet: 60 mm
 Adjustable plinth: Both horizontal and vertical
 Net weight: 50.1 kg
 Gross weight: 52.0 kg
 Connection rating: 2400 W
 Fuse protection: 10 A
 Voltage: 220-240 V
 Frequency: 50; 60 Hz
 Length electrical supply cord: 175.0 cm
 Plug type: AU plug
 Length inlet hose: 165 cm
 Length outlet hose: 190 cm
 EAN code:4242005302604
 Installation typology: Integrated

SGZ0BI11 decorative strips stainless steel 86,5cm
 SGZ1010 inlet and outlet hose extention
 SGZ8BI00 Connection rail for divided furniture
 SMZ2014 Rack insert for stemware dishwasher
 SMZ5045 Decor conversion kit, stainless steel
 SMZ5150AU Kick panel stainless steel
 SMZ5300 GlassSecure Tray



Series 8, fully-integrated dishwasher, 60 cm, Tall Tub, variohinge SBT8ZD801A

XXL TallTub dishwasher with PerfectDry for optimal drying results and Extra Space basket for additional loading capacity

Capacity

- 14 place settings

Consumption rates

- 4 stars Star energy rating, 5,0 stars Star WELS water rating. AU WELS Registration Number: D02585.
- Water consumption of 11.5 litres per wash using Eco AU in accordance with AS/NZS 6400 and Energy consumption of 215 kWh per year using the Eco AU program seven times per week. Consumption is based on cold water connection and is tested in accordance with AS/NZS 2007.2

Design

- Stainless steel interior tub
- High definition TFT display screen
- Basket system with red coloured touchpoints provides total flexibility for all loading requirements
- SoftTouch buttons: Electronic soft-touch activated buttons
- EmotionLight: Internal lighting for increased visibility
- Hidden control buttons integrated into the top of the door
- Gap Illumination: The gap between the dishwasher door and kitchen cabinetry (upper left) discreetly glows when the dishwasher is in operation
- Vario Hinge: The door hinge allows the decorative door panel to slide upwards while opening, allowing for reduced plinth height (minimum 5cm)

Wash Programs and Options

- 8 Programmes:
- Eco Wash : Energy efficient wash & dry. Mixed loads & soil levels,
- Auto Intensive: for pots & pans and baked-on food & grease.,
- Auto wash: Wash & dry program for mixed loads and soil levels,
- Auto Gentle: Automatic wash & dry program for delicate and lightly soiled dishes,
- Short wash: quick wash & dry 89 min program for mixed loads & soil levels.,
- Express wash: Wash only for lightly soiled dishes,
- ExtraQuiet: extended quiet wash & dry program for mixed loads & soil levels,
- Favourite: set or download your favourite combination
- 5 special options:
- Remote Start: allows remote control and monitoring via HomeConnect,
- Extra Dry: Provides an even better drying result by extending the drying time,
- Intensive Zone: Intensive wash for items in the bottom basket,
- HygienePlus: Reduces bacteria from utensils & crockery,
- Speedperfect: reduce wash time even after cycle has started
- Machine care program: maintains your dishwasher's optimum performance and hygiene Option
- Silence on demand (via app)

Performance

- Zeolith® Drying Technology: Unique ground-breaking technology absorbs water molecules in order to dry dishes quicker with ultimate energy efficiency
- Very quiet operation - 42 dB
- hydroDry heat exchanger assists with condensation to help dry dishes
- AquaSensor™ technology: Regulates the water usage depending on the type and degree of soiling
- DosageAssist™: Maximises the effectiveness of detergent tablets. The tablet is dropped into a specially engineered tray and is completely dissolved. For superior cleaning performance and a quieter wash.
- EcoSilence Drive® quiet and energy-efficient brushless motor (BLDC)
- BLDC Main Pump: Variable water & spray pressure to achieve optimum cleaning results BLDC Drain Pump: Fast and extra quiet draining of water, no gargling sounds
- Extra Clean Zone: Provides an even better cleaning result for items placed directly over the three rotating nozzles in the top basket
- 3 stage self-cleaning filter system: design that helps reduce the need to wash the filter and prevents blockages
- AutoBrilliance™: Automatic detergent and rinse aid sensor
- 5 Spray levels for maximum water contact and optimum wash results

Flexibility

- Extra space 3rd rack for odd shaped items, bowls, mugs and large utensils
- RackmaticPlus™: 3-stage top basket can be adjusted to three height levels to maximise convenience
- Ball bearing on all levels
- Anti-slip protection strips in upper rack
- Rack Stopper to prevent derailing of bottom basket
- 6 foldable plate racks in top basket
- 8 foldable plate racks in bottom basket
- Removable knife shelf in 3rd basket
- Moveable cutlery basket in lower basket
- 2 foldable cup shelves with soft silicone edges in top basket
- Glass rack in lower basket for tall stemmed glasses

Convenience

- Time delay start: Delay program start time by 1-24 hours to suit your schedule
- DoorOpen Assist - a push to open door system, perfect for handleless kitchens
- HomeConnect via WiFi Connectivity
- Audible program end
- Large item spray head: For washing extra large items such as baking trays, Vapour barrier protection plate

Safety

- AquaStop™ Plus: Water supply device with lifetime anti-flood protection
- Child-proof door lock (double push to open)

Product Dimensions (H x W x D)

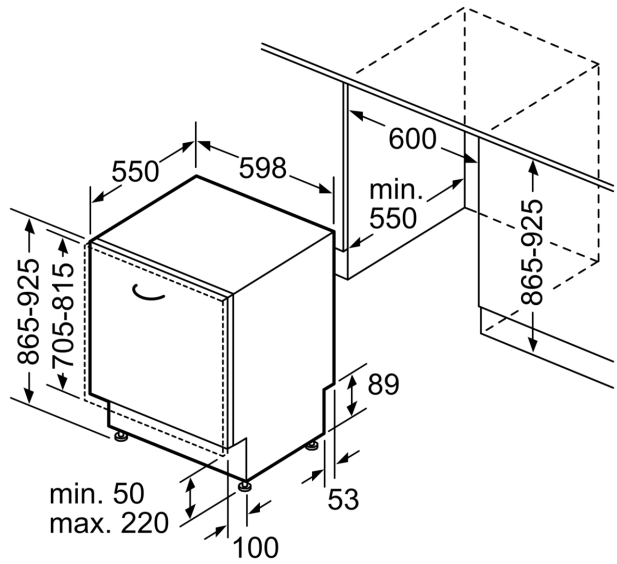
- Height 865-925 x Width 598 mm x Depth 550 mm

**Series 8, fully-integrated dishwasher,
60 cm, Tall Tub, variohinge
SBT8ZD801A**

measurements in mm



⌚ socket
() values with extension kit



measurements in mm