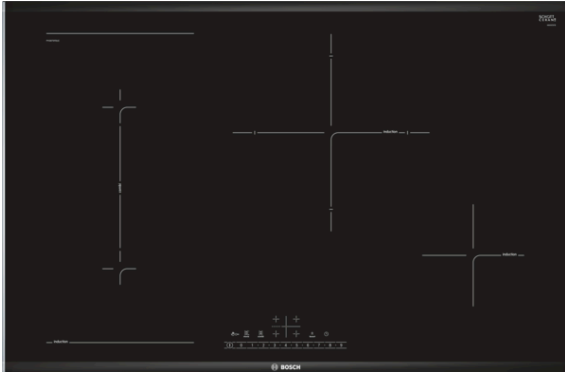


**Serie | 6, Induction hob, 80 cm,  
PVS875FB1E**



**Optional accessories**

HEZ390090 : Wok Set consisting of 3 Items

**The induction cooktop: cook fast, clean and safely while using very little energy.**

- **CombiZone:** More flexibility by combining two cooking zones, for roasters and large pans.
- **DirectSelect:** Direct, simple selection of the desired cooking zone, power and additional functions.
- **ComfortProfile:** Elegant, appealing design with bevelled front and sleek stainless steel strips on the side.
- **Timer with switch-off function:** Conveniently turns off the assigned cooking zone after the set time.
- **PowerBoost:** Up to 50% more power for faster heating.

**Technical Data**

Product name/family :	Cooking zone ceramic
Construction type :	Built-in
Energy input :	Electric
Total number of positions that can be used at the same time :	4
Required niche size for installation (HxWxD) :	51 x 750-780 x 490-500
Width of the product (mm) :	816
Dimensions of the product (mm) :	51 x 816 x 527
Dimensions of the packed product (HxWxD) (mm) :	126 x 953 x 603
Net weight (kg) :	14.943
Gross weight (kg) :	16.4
Residual heat indicator :	Separate
Location of control panel :	Hob front
Basic surface material :	Ceramic
Color of surface :	Black
Approval certificates :	AENOR, CE
Length electrical supply cord (cm) :	110
EAN code :	4242002870847
Electrical connection rating (W) :	7400
Voltage (V) :	220-240
Frequency (Hz) :	50; 60



## Serie | 6, Induction hob, 80 cm, PVS875FB1E

**The induction cooktop: cook fast, clean and safely while using very little energy.**

---

### **Design**

- Stainless steel side profiles with beveled front
- Bridgeable CombiZones
- 4 induction cooking zones
- Direct Select 1.0 Touch Control

### **Size & Power**

- 17 power levels for each cooking zone
- Cooking zone front left:
  - 210 mm
  - 2.2 KW / 3.7 KW with Power boost
- Cooking zone rear left:
  - 210 mm
  - 2.2 kW / 3.7 KW with powerBoost
- Cooking zone front right:
  - 145 mm
  - 1.4 KW / 2.2 KW with powerBoost
- Cooking zone rear right:
  - 280 mm
  - 2.6 KW / 3.7 KW with powerBoost

### **Comfort & Convenience**

- Timer with automatic switch off for all zones
- PowerBoost function - reduce the time to heat up large quantities of water
- Move Mode - 2 Automatic Power Levels
- QuickStart - Quick and automatic first pot detection
- ReStart - Quickly reinstates previous settings
- 
- Energy consumption display

### **Safety and Environment**

- Digital 2-stage residual heat indicator for each cooking zone
- Childproof lock
- Automatic safety switch-off
- Integrated cooling fan

### **2 year warranty**

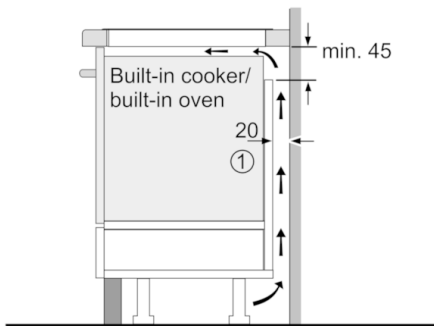
### **Dimensions (WxD)**

- Appliance dimensions: (W x D) 816 mm x 527 mm
- Installation dimensions: (H x W x D) 51 mm x 750 mm x 490 mm

### **Technical Information**

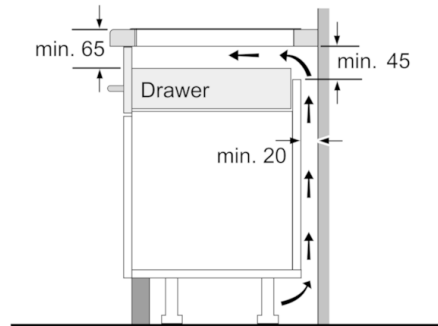
- 7.4 kW total connected load
- Min. worktop thickness: 30 mm

**Serie | 6, Induction hob, 80 cm,  
PVS875FB1E**



①  
Ventilation gap must  
be present

All measurements in mm



Measurements in mm