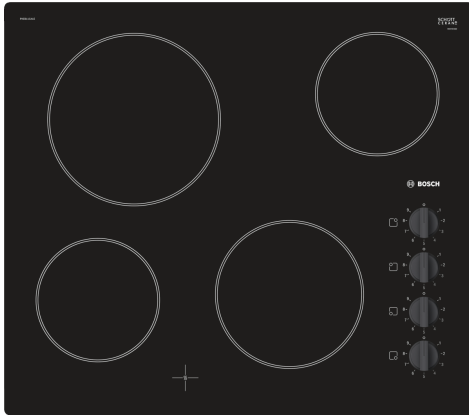


**Series 2, Electric Cooktop, 60 cm,
Black,
PKE611CA1A**



**The glass-ceramic radiant hob: makes
cooking and cleaning especially easy.**

- **Surface mounted knobs:** for easy setting of preferred cooking level.

Product name/family: Cooking zone ceramic
 Built-in / Free-standing: Built-in
 Energy input: Electric
 Total number of positions that can be used at the same time: 4
 Min. required niche size for installation (HxWxD):46 x 560-560 x 490-500 mm
 Width of the appliance:592 mm
 Dimensions (HxWxD): 46 x 592 x 522 mm
 Dimensions of the packed product (HxWxD): 100 x 750 x 590 mm
 Net weight:7.6 kg
 Gross weight: 8.4 kg
 Residual heat indicator:separate
 Location of control panel: Lateral
 Basic surface material: Ceramic glass
 Color of surface:Black
 EAN code:4242002975573
 Voltage: 220-240 V
 Frequency: 60; 50 Hz

HEZ390090 Wok Set consisting of 3 Items
 HEZ9SE030 Set of 2 pots and 1 pan



Series 2, Electric Cooktop, 60 cm, Black, PKE611CA1A

The glass-ceramic radiant hob: makes cooking and cleaning especially easy.

- 60 cm Cooktop Radiant: space for 4 pots or pans.

Flexibility of cooking zones

- Cooking zone front left: 145 mm, 1.2 KW
- Cooking zone rear left: 210 mm, 2.2 KW
- Cooking zone rear right: 145 mm, 1.2 KW
- Cooking zone front right: 180 mm, 2 KW

Usage convenience

- Sword knob: control the power with mounted knobs.
- 9-stage variable power setting for each cooking zone: precisely adapt the heat with 9 power levels.

Design

- Frameless

Safety

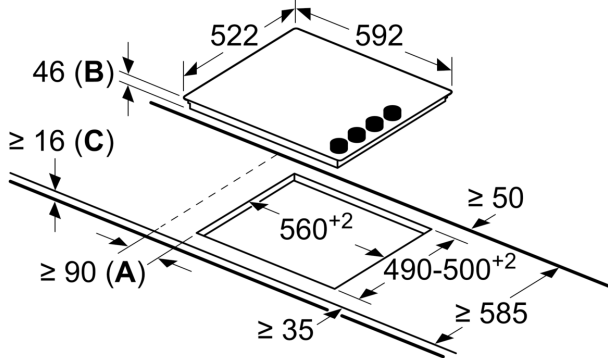
- Residual heat indicator: indicates which cooking zones are still hot.

Installation

- Dimensions of the product (HxWxD mm): 46 x 592 x 522
- Required niche size for installation (HxWxD mm) : 46 x 560 x (490 - 500)
- Min. worktop thickness: 16 mm
- Connected load: 6.6 KW

**Series 2, Electric Cooktop, 60 cm,
Black,
PKE611CA1A**

measurements in mm



- A:** Minimum distance from the hob cut-out to the wall.
- B:** Recessed depth
- C:** With fitted oven underneath min. 20, possibly more; see space requirements for the oven.