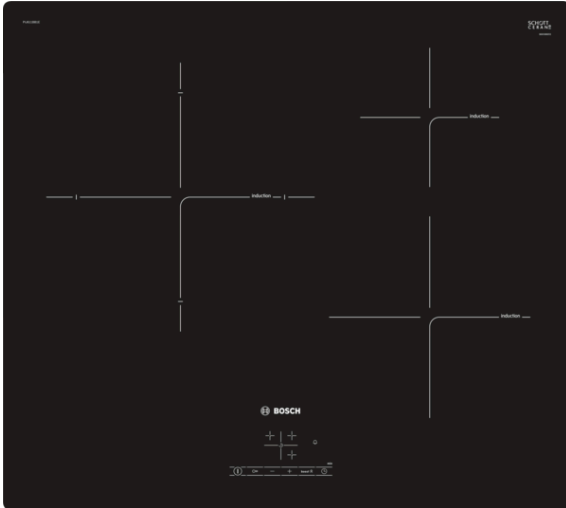


**Serie | 4, Induction cooktop, 60 cm,
Black
PIJ611BB1E**



Optional accessories

HEZ390042 : Set of 3 pots and 1 pan

HEZ390090 : Wok Set consisting of 3 Items

The induction cooktop: cook fast, clean and safely while using very little energy.

- **TouchSelect:** Selection of the desired cooking zone and easy setting of the desired power level.
- **Timer with switch-off function:** Conveniently turns off the assigned cooking zone after the set time.
- **PowerBoost:** Up to 50% more power for faster heating.

Technical Data

Product name/family :	Cooking zone ceramic
Construction type :	Built-in
Energy input :	Electric
Total number of positions that can be used at the same time :	3
Required niche size for installation (HxWxD) :	51 x 560-560 x 490-500
Width of the product (mm) :	592
Dimensions of the product (mm) :	51 x 592 x 522
Dimensions of the packed product (HxWxD) (mm) :	126 x 753 x 603
Net weight (kg) :	12.111
Gross weight (kg) :	13.0
Residual heat indicator :	Separate
Location of control panel :	Hob front
Basic surface material :	Ceramic
Color of surface :	Black
Approval certificates :	AENOR, CE
Length electrical supply cord (cm) :	110
EAN code :	4242002870373
Electrical connection rating (W) :	7400
Voltage (V) :	220-240
Frequency (Hz) :	60; 50



Serie | 4, Induction cooktop, 60 cm, Black PIJ611BB1E

The induction cooktop: cook fast, clean and safely while using very little energy.

Design

- Frameless
- 3 induction cooking zones
- Electronic TouchSelect +/- controls

Size & Power

- 17 power levels for each cooking zone
- Cooking zone rear left:
 - 280 mm
 - 2.6 kW / 3.7 KW with powerBoost
- Cooking zone front right:
 - 210 mm
 - 2.2 kW / 3.7 KW with powerBoost
- Cooking zone rear right:
 - 145 mm
 - 1.4 KW / 2.2 KW with powerBoost

Comfort & Convenience

- Timer with automatic switch off for all zones
- PowerBoost function - reduce the time to heat up large quantities of water
- QuickStart - Quick and automatic first pot detection
- ReStart - Quickly reinstates previous settings

Safety and Environment

- Digital 2-stage residual heat indicator for each cooking zone
- Childproof lock
- Automatic safety switch-off
- Integrated cooling fan

2 year warranty

Dimensions (WxD)

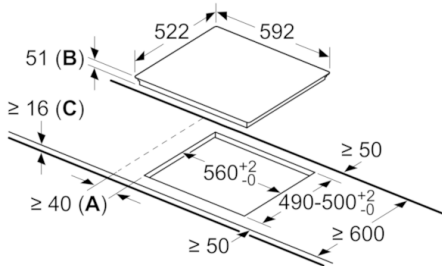
- Appliance dimensions: (W x D) 592 mm x 522 mm
- Installation dimensions: (H x W x D) 51 mm x 560 mm x 490 mm

Technical Information

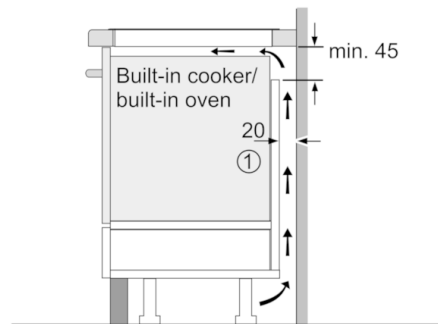
- 7.4 kW total connected load

Serie | 4, Induction cooktop, 60 cm, Black PIJ611BB1E

measurements in mm

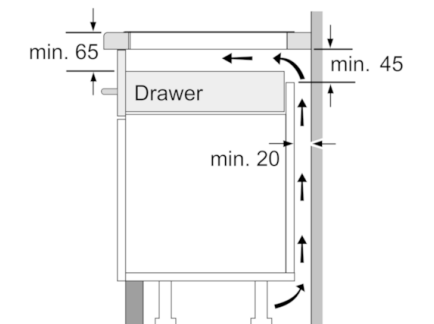


- A:** Minimum distance from the hob cut-out to the wall.
- B:** Recessed depth
- C:** With fitted oven underneath min. 30, possibly more; see space requirements for the oven.



- ① Ventilation gap must be present

All measurements in mm



Measurements in mm