

Serie | 4, Built-in double oven, Black MBA534BB0A



HEZ327000 Pizza stone, HEZ32WA00 Wireless food thermometer, HEZ530000 Half tray, HEZ531010 Baking tray, non-stick ceramic coated, HEZ532010 Universal pan, non-stick ceramic coated, HEZ538000 1fold telescopic rail, level independent, HEZ617000 Pizza pan, enamelled, HEZ629070 Air Fry & Grill tray, HEZ631070 Baking tray, enamelled, HEZ632070 Multipurpose pan, enamelled, HEZ633001 Lid for professional pan, enamelled, HEZ633070 Professional pan with grid, enamelled, HEZ634000 Baking and roasting grid, HEZ636000 Glass pan, HEZ664000 Baking and roasting grid, steam, HEZ915003 Glass roasting dish, 5,4 L, HZ638000 Full ext rails, level independent

The built-in double oven with 3D hot air: achieve perfect baking and roasting results on multiple levels simultaneously.

- **EcoClean Direct:** less cleaning effort thanks to a special coating which covers the rear wall of the lower oven.
- **Pop-out controls:** Make the front of the oven easy to clean and give it a sleek look.
- **Red LED display control:** easy-to-use thanks to the time functions.

Color / Material Front: Black
 Built-in / Free-standing: Built-in
 Cleaning : No
 Dimensions (HxWxD): 888x594x550 mm
 Dimensions of the packed product (HxWxD): 960 x 660 x 690 mm
 Control Panel Material: Glass
 Door Material: Glass
 Net weight: 51.6 kg
 Usable volume of cavity: 71 l
 Heating functions: Full width grill, Hot air gentle, Hot Air, Conventional heat, Pizza setting, Bottom heat, Hot Air grilling
 Oven control: mechanical
 Number of interior lights: 1
 EAN code: 4242005316489
 Energy efficiency rating: A
 Energy consumption per cycle conventional (2010/30/EC): 1.02 kWh/cycle
 Energy consumption per cycle forced air convection (2010/30/EC): 81 kWh/cycle
 Energy efficiency class (2010/30/EC) - cavity 2: B
 Energy consumption per cycle conventional - cavity 2 (2010/30/EC): 83 kWh/cycle
 Energy efficiency index (2010/30/EC): 95.3 %
 Energy efficiency index cavity 2 (2010/30/EC): 120.3 %
 Connection rating: 5900 W
 Fuse protection: 32 A
 Voltage: 220-240 V
 Frequency: 50 Hz
 Plug type: no plug, fixed connection
 Included accessories cavity 1: 2 x combination grid, 1 x universal pan, 1 x Air Fry & Grill tray



Serie | 4, Built-in double oven, Black MBA534BB0A

**The built-in double oven with 3D hot air:
achieve perfect baking and roasting
results on multiple levels simultaneously.**

Heating Functions

Top Oven

- Oven with 3 heating methods: Top/bottom heating, Full width grill, Centre area grill
- Temperature range 50 °C - 275 °C
- Cavity volume: 34 l

Main Oven

- Oven with 7 heating methods: 3D Hotair, Top/bottom heating, Hot air grilling, Full width grill, Pizza setting, Bottom heating, Hotair gentle
- Temperature range 50 °C - 275 °C
- Cavity volume: 71 net usable litres

Hook-in racks / rails

Top oven

- Number of shelf levels: 3 PC

Main oven

- Number of shelf levels: 5 PC
- Telescopic rails: Available as an additional accessory

Design

- Rotary control knobs, Retractable control knobs
- Cavity (inner surface) top: Enamel grey
- Extra large capacity oven with grey enamel

Cleaning

Top oven

- Full glass inner door

Main oven

- EcoClean Direct : back panel
- Full glass inner door

Convenience

- LED-display control (red)
- Electronic clock/timer with end time programming
- Automatic start
- Actual temperature display
- Halogen lighting
- Bar handle

Top oven

- Door hinge top: bottom

Main oven

- Door hinge main: Drop down door
- Rapid heating-up: manual
- Cooling fan

Accessories

- 1 x universal pan, 1 x grill tray, 2 x combination grid

Safety and Environment

Top Oven

- Maximum door temperature 40 °C

Main Oven

- Maximum door temperature 40° C
- Child lock function

Technical Info

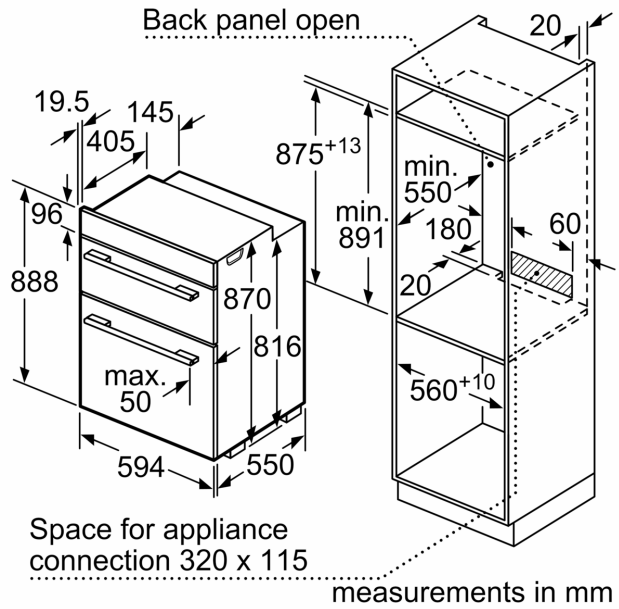
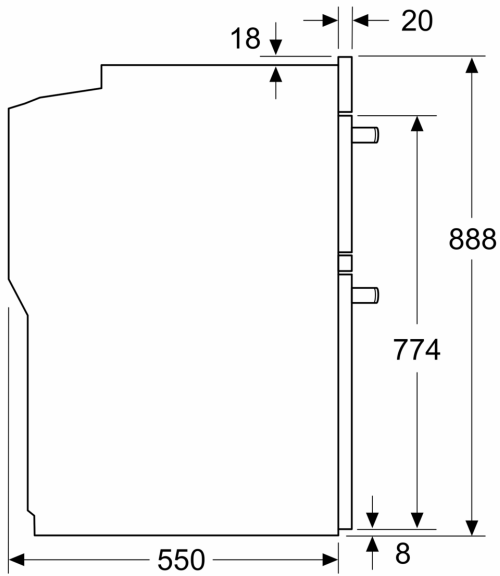
- Nominal voltage: 220 - 240 V
- Total connected load electric: 5.9 KW

Dimensions

- Appliance dimensions (HxWxD): 888 mm x 594 mm x 550 mm
- Installation dimensions (HxWxD): 875 mm - 888 mm x 560 mm - 568 mm x 550 mm
- Please reference the built-in dimensions provided in the installation drawing

Serie | 4, Built-in double oven, Black
MBA534BB0A

measurements in mm



measurements in mm