

Serie | 8, Built-in fridge-freezer with freezer at bottom KIN34P60AU



Included accessories

2 x cold accumulator
2 x egg tray
1 x ice cube tray

The NoFrost bottomfreezer with vegetable drawer and TouchControl: convenient control via sensor fields.

- **Drawer on telescopic rails:** facilitates convenient loading and unloading.
- **TouchControl operation:** convenient temperature control via easy-to-read sensor fields.
- **EasyLift Shelf:** easy height adjustment, providing a flexible interior.
- **SoftClosing Door:** door closes automatically and softly when it is open at a 20° angle or less.

Technical Data

Built-in / Free-standing :	Built-in
Door panel options :	Not possible
Height (mm) :	1772
Width of the product (mm) :	556
Depth of the product :	545
Required niche size for installation (HxWxD) :	1775.0 x 560 x 550
Net weight (kg) :	74.930
Connection Rating (W) :	120
Current (A) :	10
Door hinge :	Right reversible
Voltage (V) :	220-240
Frequency (Hz) :	50
Approval certificates :	CE, VDE
Length electrical supply cord (cm) :	190
Energy efficiency class :	X
Refrigerator Net capacity (l) :	189
Freezer Net capacity (l) :	75
Freezing capacity (kg) :	15
Storage Period in Event of Power Failure (h) :	16
Number of compressors :	1
Number of independent cooling systems :	2
Interior ventilator :	Yes
Reversible Door Hinge :	Yes
Number of Adjustable Shelves in fridge compartment :	3
Shelves for Bottles :	Yes
EAN code :	4242002821320
Brand :	Bosch
Product name / Commercial code :	KIN34P60AU
Freezer Net capacity (l) :	0
Frost free system :	Freezer
Temperature rise time (h) :	16
Freezing capacity (kg/24h) :	0
Climate class :	SN-T
Noise level (dB) :	39
Installation typology :	Full-integrated



Serie | 8, Built-in fridge-freezer with freezer at bottom KIN34P60AU

The NoFrost bottomfreezer with vegetable drawer and TouchControl: convenient control via sensor fields.

Refrigerator Type & Volume

- Integrated/Built In, FrostFree Fridge With Bottom-mount Freezer
- Gross Capacity 287 litres
- - Fridge: 196 litres
- - Freezer 91 litres

Performance and Consumption

- 3 Star Energy Rating : 330 kwh per year

Comfort and Safety

- Complete ventilation through plinth
- Storage time in power failure: 16 hours
- Electronic temperature control with independent controls for fridge and freezer
- SuperCooling Function - Automatically brings down the temperature of the refrigerator to cool new groceries rapidly
- SuperFreezing function - Automatically brings down the temperature of the freezer to cool new items rapidly
- Acoustic door open alarm

Shelving and Compartments

- 4 height adjustable safety glass shelves: 1 easyLift shelf, 1 full extension glass shelf
- 4 door bins: 1 extra deep with divider and 3 with EasyLift
- Freezing capacity: 15 kg in 24 hours
- Egg rack

Comfort

- Soft Close Door
- LED interior light in fridge section
- Automatic defrost in freezer and fridge section

Technical Information

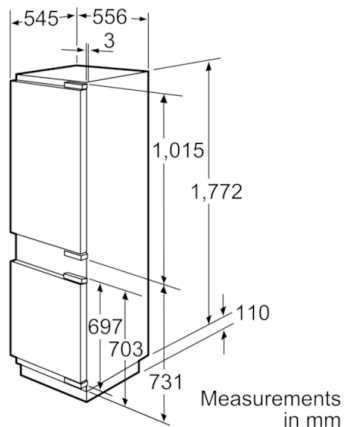
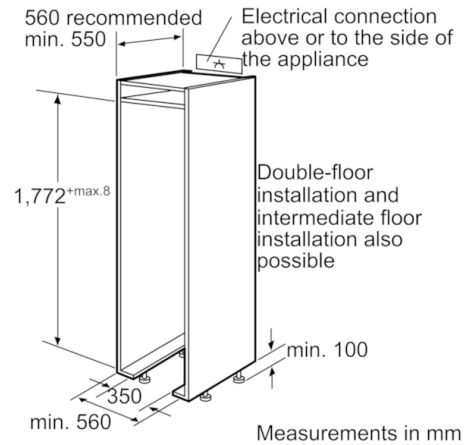
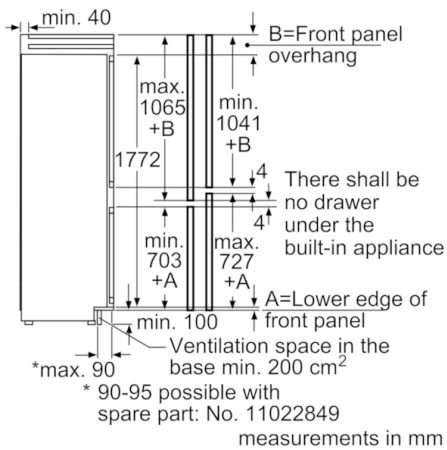
- Reversible door hinge

Dimensions

- Dimensions (H x W x D): 1,772 mm x 556 mm x 545 mm
- Cut-out Dimension (H x W x D): 1,775 mm x 560 mm x 550 mm

-

Serie | 8, Built-in fridge-freezer with freezer at bottom KIN34P60AU



measurements in mm

Recommended gap dimensions for flat hinges

	F	R	X
16-19	0-3	2.5	
	20	0-1	3
21	2-3	2.5	
	22	0-1	3
22	2-3	2.5	
	0	4	
	1	3.5	
	2-3	3	

The gap dimensions recommended in the table must be adhered to in order to ensure that appliance doors do not collide with anything when they are opened, and to avoid causing damage to kitchen units.