

**Series 6, Multi Door Fridge Freezer,  
183 x 90.5 cm, Stainless steel  
KFN96APEAA**



**The NoFrost bottomfreezer with VitaFresh plus: Keeps your fresh foods fresh and vitamin-rich longer.**

- **VitaFresh XXL <0°C>**: Keeps food fresh for longer in extra-large climate-controlled fridge drawers.
- **Metal Backwall with Multi Airflow**: Evenly circulates cool, fresh air to maintain consistent temperatures.
- **Super Cooling**: Cools new food placed inside faster, thus protecting already cooled food.
- **Total NoFrost**: You'll never have to defrost your freezer again and no water drops on the fridge back wall.
- **Electronic temperature control**: Precise fridge settings to lock in freshness.

---

Annual energy consumption AU: .....	395 kWh
Total unit net capacity: .....	605 l
Refrigerator Net capacity: .....	405 l
Freezer Net capacity: .....	200 l
Airborne acoustical noise emissions: .....	38 dB(A) re 1pW
Noise level class: .....	C
Built-in / Free-standing: .....	Free-standing
Door panel options: .....	Not possible
Height: .....	1830 mm
Width of the appliance: .....	905 mm
Depth of the product: .....	731 mm
Net weight: .....	118.3 kg
Fuse protection: .....	10 A
Door hinge: .....	Left and Right
Voltage: .....	220-240 V
Frequency: .....	50 Hz
Length electrical supply cord: .....	240 cm
Storage Period in Event of Power Failure: .....	15 h
Number of compressors: .....	1
Number of independent cooling systems: .....	1
Interior ventilator: .....	Yes
Reversible Door Hinge: .....	No
Number of Adjustable Shelves in fridge compartment: .....	3
Shelves for Bottles: .....	No
Frost free system: .....	Fridge and freezer
Installation type: .....	Free-standing



## Series 6, Multi Door Fridge Freezer, 183 x 90.5 cm, Stainless steel KFN96APEAA

### The NoFrost bottomfreezer with VitaFresh plus: Keeps your fresh foods fresh and vitamin-rich longer.

- Freestanding Freezer with Stainless steel doors with EasyClean finish
- Total No Frost - never defrost again and no water on the fridge back wall

#### Performance & Consumption

- MultiAirflow system - Minimises fluctuating temperatures by ensuring optimal and uniform air circulation in the fridge
- Total Volume : 605 l
- Net Fridge Volume : 405 l
- Net Freezer Volume : 200 l
- Freezing capacity 24h: 13 kg
- Annual Energy Consumption: 395 kWh (4.5 Star Energy Rating. When tested in accordance with AS/NZS IEC 62552-3. Actual energy use and running costs will depend on how you use the appliance.)
- Climate Class: SN-T
- Fast Freeze
- Noise Level : 38 dB

#### Finish

- Stainless steel doors with EasyClean finish doors and Metallic chrome side panels

#### Design

- Classic door, Door Stainless steel doors with EasyClean finish, side panels Metallic chrome
- LED interior light in fridge section
- Metal backwall
- Interior design with metal trims

#### Convenience & Safety

- Remote Monitoring and Control with Home Connect
- 7 segment electronic control
- SuperCooling Function - Automatically brings down the temperature of the refrigerator to cool new groceries rapidly
- Automatic defrost in fridge section
- acoustic for Fridge and Freeze, Optical warning system Door open
- Acoustic Warning System, Optical Warning System by Temperatur increase

#### Shelving & Compartments

- FrostFree MultiAirflow system
- 4 safety glass shelves of which 3 are height adjustable, Standard 2 shelves extendable
- 2 door bin(s) large, 2 door bin(s) small
- LED interior light lighting
- Egg rack
- 1 VitaFresh 0°C drawer - Fish and meat stay fresh
- 1 VitaFresh drawer on rails with humidity control - Fruits and vegetables retain vitamins and stay fresh for longer.

#### Freezer Compartment

- Freezer: 2 transparent drawers with telescopic rails
- Ice cube tray

#### Dimensions

- Dimensions ( H x W x D): 1830 mm x 905 mm x 731 mm

#### Technical Information

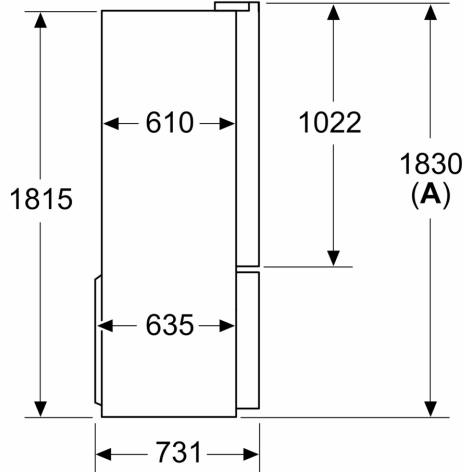
- 4 wheels for easier transport, 3 of them height adjustable.
- Voltage 220 - 240 V

#### Accessories

- 1 x ice cube tray

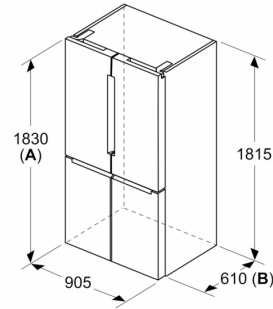
**Series 6, Multi Door Fridge Freezer,  
183 x 90.5 cm, Stainless steel  
KFN96APEAA**

Measurements in mm



**A:** Front is adjustable 1830–1847 mm, with front levelling feet fully extended

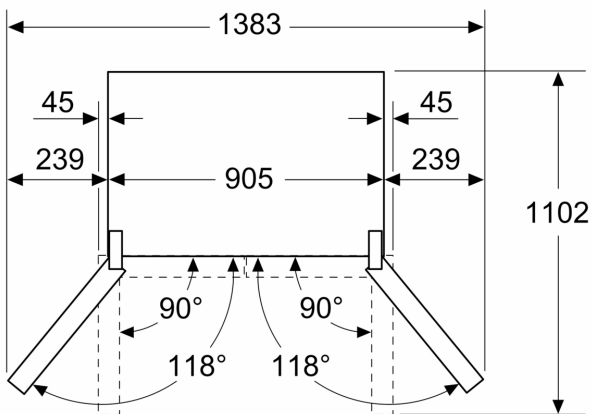
Measurements in mm



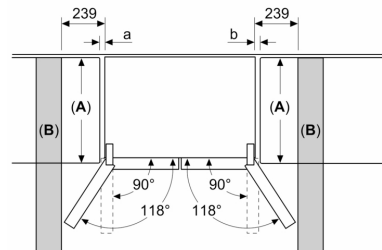
**A:** Front is adjustable 1830–1847 mm, with front levelling feet fully extended

**B:** Add 25 mm for fixed spacers on back

Measurements in mm



Measurements in mm



A	a	b
≤ 600	0	0
600 < A ≤ 650	45	45
650 < A ≤ 700	60	60
> 700	239	239

**A:** Kitchen cabinet or worktop depth

**B:** Wall  
Drawers can be pulled and taken out with door open to 90°