

**Serie | 8, French Door Bottom freezer,  
3 doors, Stainless steel  
KFN91PJ10A**



**Included accessories**

- 1 x egg tray
- 1 x cartridge for water filtering system

- **Ice and water dispenser:** dispenses cool water and ice cubes at the push of a button.
- **HydroFresh Box:** keeps fruits and vegetables fresh up to twice as long - thanks to optimum humidity.
- **ChillerBox:** cooler than the other cooling areas - keeps meat and fish fresh up to 2 times longer.
- **Digital Ergonomic Display and Control :** Convenient to operate and read
- **NoFrost:** Prevents ice from forming, thus saving you time and effort from defrosting

**Technical Data**

Built-in / Free-standing :	Free-standing
Door panel options :	Not possible
Height (mm) :	1772
Width of the product (mm) :	905
Depth of the product :	860
Net weight (kg) :	147.500
Connection Rating (W) :	170
Current (A) :	10
Door hinge :	left and right
Voltage (V) :	220-240
Frequency (Hz) :	50
Approval certificates :	Australia Standards
Length electrical supply cord (cm) :	250
Total annual energy consumption (kWh) :	730.0
Storage Period in Event of Power Failure (h) :	22
Number of compressors :	1
Number of independent cooling systems :	1
Interior ventilator :	Yes
Reversible Door Hinge :	No
Number of Adjustable Shelves in fridge compartment :	3
Shelves for Bottles :	No
EAN code :	4242002677767
Brand :	Bosch
Product name / Commercial code :	KFN91PJ10A
Freezer Net capacity (l) :	0
Frost free system :	Fridge and freezer
Temperature rise time (h) :	22
Freezing capacity (kg/24h) :	0
Climate class :	SN-T
Noise level (dB) :	44
Installation typology :	N/A



## **Serie | 8, French Door Bottom freezer, 3 doors, Stainless steel**

### **KFN91PJ10A**

---

- 762 litres total gross volume (Fridge: 512 litres; Freezer: 250 litres)

#### **Finish**

- Doors Stainless steel

#### **Shelving and Compartments**

- Fridge : 5 non-spill safety glass shelves, 3 height-adjustable
- Big ChillerSafe compartment on Telescopic rails

#### **Comfort**

- FrostFree MultiAirflow system
- SuperCooling Function - Automatically brings down the temperature of the refrigerator to cool new groceries rapidly
- SuperFreezing function - Automatically brings down the temperature of the freezer to cool new items rapidly
- Water & ice dispenser: Drinking Water Dispenser, Crushed Ice, Ice cube, Quick Ice Dispenser, Water filter.
- LED Illumination

#### **Accessories**

- 1 x egg tray, 1 x cartridge for water filtering system

#### **Configuration**

- Acoustic door open alarm
- Visual and acoustic Warning System for temperature increase in fridge & freezer

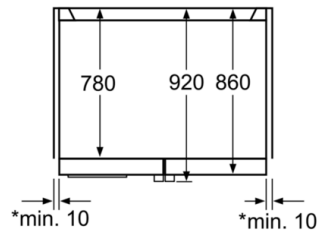
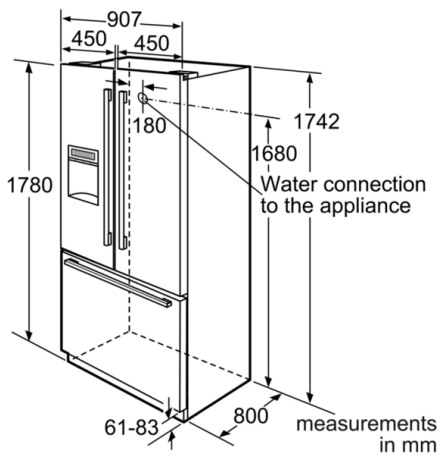
#### **Dimensions**

- Dimensions ( H x W x D): 1,772 mm x 905 mm x 860 mm

#### **Performance and Consumption**

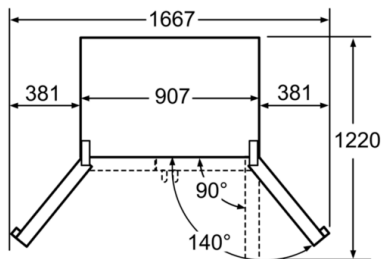
- 2 Star Energy Rating Star Energy Rating and 730 kWh energy consumption per annum

**Serie | 8, French Door Bottom freezer, 3 doors, Stainless steel  
KFN91PJ10A**



\* If the appliance is placed next to a cooker, the side distance must be 10 mm minimum.

measurements in mm



Drawers can be pulled out with door opened to 90°.  
Drawers can be removed with door completely opened.

measurements in mm