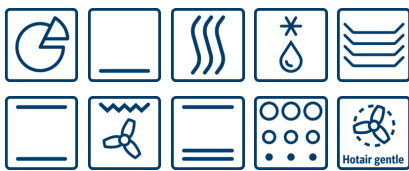


**Serie | 8, Oven with added steam,
Stainless steel
HRG6767S2A**



Included accessories

1 x grill tray
suit. pyrol. clean.
2 x combination grid
1 x universal pan

Optional accessories

HEZ327000 Pizza stone, HEZ530000 Half tray, HEZ531010 Baking tray, non-stick ceramic coated, HEZ532010 Universal pan, non-stick ceramic coated, HEZ617000 Pizza pan, anthracite enamelled, HEZ625071 Grill tray, anthracite enamelled, HEZ631070 Baking tray, anthracite enamelled, HEZ632070 Multipurpose pan, anthracite enamelled, HEZ633001 Lid for professional pan, enamelled anth, HEZ634000 Baking and roasting grid (standard), HEZ636000 Glass pan, HEZ638370 3 level telescopic rails, full ext.pyro

The Series 8 built-in oven with PerfectBake, PerfectRoast and added steam: automatically prepares your dishes so they're perfect and moist.

- **Bosch Assist:** automatic setting of the optimal type of heat, temperature and time for countless dishes.
- **4D HotAir:** even heat distribution for perfect results – on any level.
- **TFT touchscreen control:** easy-to-use thanks to the control ring with full text and colour images.
- **Pyrolytic self-cleaning:** no cleaning effort thanks to 3 stage self-cleaning. Including enamel trays and shelf racking.

Technical Data

Color / Material Front :	Stainless steel
Built-in / Free-standing :	Built-in
Integrated Cleaning system :	Pyrolytic
Required niche size for installation (HxWxD) :	585-595 x 560-568 x 550
Dimensions of the product (mm) :	595 x 594 x 548
Dimensions of the packed product (HxWxD) (mm) :	650 x 680 x 650
Control Panel Material :	Stainless steel
Door Material :	Glass
Net weight (kg) :	46.362
Usable volume of cavity (l) :	71
Cooking method :	, 4D hot air,
Bottom heat, Conventional heat, Defrost, Dehydrate, Full width grill, Half width grill, Hot Air-Eco, Hot air grilling, Intensive heat, low temperature cooking, Pizza setting, pre-heating, warming	
First cavity material :	Enamelled
Temperature control :	electronic
Number of interior lights :	3
Approval certificates :	CE, VDE
Length electrical supply cord (cm) :	120
EAN code :	4242002912509
Number of cavities (2010/30/EC) :	1
Energy efficiency class (2010/30/EC) :	A
Energy consumption per cycle conventional (2010/30/EC) :	0.90
Energy consumption per cycle forced air convection (2010/30/EC) :	0.74
Energy efficiency index (2010/30/EC) :	87.1
Connection Rating (W) :	3600
Current (A) :	16
Voltage (V) :	220-240
Frequency (Hz) :	60; 50
Plug type :	no plug



Serie | 8, Oven with added steam, Stainless steel HRG6767S2A

The Series 8 built-in oven with PerfectBake, PerfectRoast and added steam: automatically prepares your dishes so they're perfect and moist.

Heating Functions

- Oven with 15 heating methods:
 - 4D HotAir
 - 4D HotAir Eco
 - Top/bottom heating
 - Top/bottom heating Eco
 - Hot air grilling
 - Full width grill
 - Half width grill
 - Pizza setting
 - Bottom heating
 - Intensive heat
 - Slow cooking
 - Defrost
 - Preheat ovenware
 - Drying
 - Keep warm
- Additional heating methods with steam: Reheating, Dough Proving
- Rapid heating-up
- Temperature range 30 °C - 300 °C

Sensor Technology & Automatic Programs

- Bosch Assist - a menu of dishes for automatic cooking
- PerfectBake baking sensor
- PerfectRoast multipoint meat probe

Design

- TFT Touch Graphic Display
- Bosch Control Ring
- LED lighting, Multi-level LED lighting
- Cavity volume: 71 net usable litres
- Anthracite enamel cavity with 5 shelf positions

Cleaning

- 3 Stage pyrolytic cleaning
- Additional functions:
 - Descaling programme
 - Drying function
- Pyrolytic proof trayholder and baking tray
- Full glass inner door

Convenience

- Automatic temperature proposal
- Actual temperature display
- Residual heat indicator
- Sabbath mode
- Cavity with shelf support rails, 2 level telescopic shelf rails, fully extendable, safety stop function, pyrolytic proof
- Electronic clock/timer with end time programming
- Info button
- Large 1 litre water tank
- Water tank empty indicator

Safety and Environment

- Quadruple glazed CoolTouch door
- Child lock function
- Automatic safety switch off function
- Residual heat indicator start button
- door contact switch
- Cooling fan

2 year warranty

Accessories

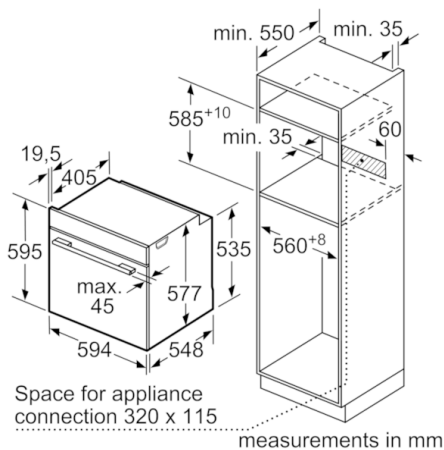
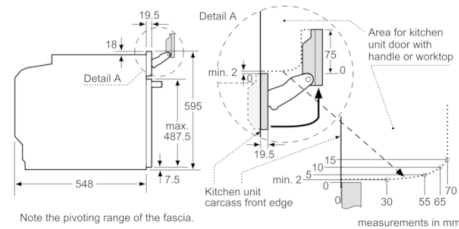
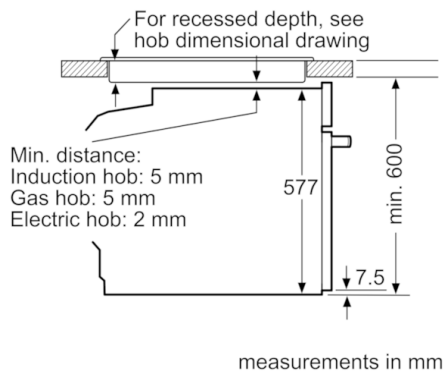
- 1 x grill tray, suit. pyrol. clean., 2 x combination grid, 1 x universal pan

Technical Info

- Appliance dimensions (HxWxD): 595 mm x 594 mm x 548 mm
- Installation dimensions (HxWxD): 585 mm - 595 mm x 560 mm - 568 mm x 550 mm
- Total connected load electric: 3.6 KW
- Length of mains cable: 120 cm
- Please reference the built-in dimensions provided in the installation drawing

Serie | 8, Oven with added steam, Stainless steel HRG6767S2A

Installation with a hob.



If the appliance will be installed underneath a hob, the following worktop thicknesses (including substructure if necessary) must be taken into account.

Hob type	min. worktop thickness	
	fitted	flush
Induction hob	37 mm	38 mm
Full surface Induction hob	47 mm	48 mm
Gas hob	30 mm	38 mm
Electric hob	27 mm	30 mm

