

**Series 8, Built-in oven with added steam function, 60 x 60 cm, Black HRG6753B1A**



HEZ327000 Pizza stone, HEZ530000 Half tray, HEZ531010 Baking tray, non-stick ceramic coated, HEZ532010 Universal pan, non-stick ceramic coated, HEZ617000 Pizza pan, enamelled, HEZ625071 Grill tray, anthracite, HEZ631070 Baking tray, enamelled, HEZ632070 Multipurpose pan, enamelled, HEZ633001 Lid for professional pan, enamelled, HEZ633070 Professional pan, enamelled, HEZ634000 Baking and roasting grid, HEZ635000 Barbecue-Set, HEZ636000 Glass pan, HEZ638370 3 level telescopic rails, full ext,pyro, HEZ660050 Cover Strip, HEZ664000 Baking and roasting grid, steam, HEZ915003 Glass roasting dish, 5,4 L

**The built-in oven with AutoPilot and added steam: automatically prepares your dishes so they're crispy and juicy.**

- **Added Steam:** achieve cooking results that are crispy on the outside and juicy on the inside.
- **4D Hotair:** even heat distribution on all levels for perfect baking results without mixing flavours.
- **AutoPilot 20:** every dish is a perfect success thanks to 20 pre-set automatic programmes.
- **Pyrolytic self-cleaning:** Automatically cleans the oven, just wipe out the ash.
- **2-stage telescoping rails, fully extendable:** for safe, easy insertion and removal of baking trays.

---

Color / Material Front:	Black
Built-in / Free-standing:	Built-in
Door opening:	Drop down
Cleaning :	Pyrolytic+Hydrolytic
Control Panel Material:	Glass
Door Material:	Glass
Dimensions (HxWxD):	595x594x548 mm
Dimensions of the packed product (HxWxD):	670 x 670 x 680 mm
Min. required niche size for installation (HxWxD):	585-595 x 560-568 x 550 mm
Cavity dimensions:	357 x 480 x 415 mm
Usable volume of cavity:	71 l
Number of interior lights:	1
Net weight:	43.3 kg
Gross weight:	45.7 kg
EAN code:	4242005287871
Connection rating:	3600 W
Fuse protection:	16 A
Voltage:	220-240 V
Frequency:	50; 60 Hz
Length electrical supply cord:	120.0 cm

---



## **Series 8, Built-in oven with added steam function, 60 x 60 cm, Black HRG6753B1A**

### **The built-in oven with AutoPilot and added steam: automatically prepares your dishes so they're crispy and juicy.**

- Length of mains cable: 120 cm
- Nominal voltage: 220 - 240 V
- Total connected load electric: 3.6 KW

#### **Dimensions**

- Appliance dimensions (HxWxD): 595 mm x 594 mm x 548 mm
- Installation dimensions (HxWxD): 585 mm - 595 mm x 560 mm - 568 mm x 550 mm
- Please reference the built-in dimensions provided in the installation drawing

#### **Heating Functions**

- Oven with 13 heating methods:
- 4D HotAir, Defrost, Full width grill, 4D HotAir Eco, Half width grill, Top/bottom heating, Top/bottom heating Eco, Pizza setting, Slow cooking, Bottom heating, Hot air grilling, Preheat ovenware, Keep warm
- Additional heating methods with steam: Reheating, Dough Proving
- Temperature range 30 °C - 300 °C
- Cavity volume: 71 net usable litres

#### **Hook-in racks / rails**

- Number of shelf levels: 5
- 2 level telescopic shelf rails, pyrolytic proof, fully extendable, safety stop function

#### **Design**

- Bosch Control Ring
- Cavity inner surface: enamel

#### **Cleaning**

- Pyrolytic self-cleaning function
- Cleaning Assistance - cleaning option for light soiling
- Full glass inner door

#### **Convenience**

- TFT Touch Symbol Display
- Electronic clock/timer with end time programming
- Automatic temperature proposal, Residual heat indicator, Actual temperature display
- AutoPilot, 20 automatic programs
- Additional functions: Descaling programme
- drying function
- Drop down door
- Bar handle
- Automatic programs
- Automatic rapid heat function
- Halogen lighting
- Water tank empty indicator
- Location of the steam generator is outside of the cavity
- Integrated cooling fan

#### **Accessories**

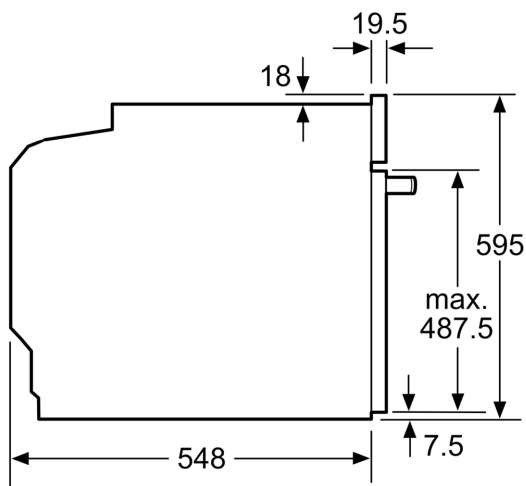
- 1 x grill tray, suit. pyrol. clean., 2 x combination grid, 1 x universal pan

#### **Safety and Environment**

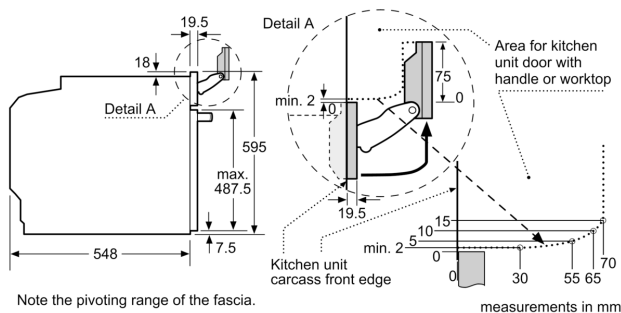
- Quadruple glazed CoolTouch door
- Low door temperature during pyrolytic cleaning
- Electronic door lock, Child lock, Automatic safety switch off function, Residual heat indicator, Start button, Door contact switch

#### **Technical Info**

**Series 8, Built-in oven with added steam function, 60 x 60 cm, Black HRG6753B1A**



measurements in mm



If the appliance will be installed underneath a hob, the following worktop thicknesses (including substructure if necessary) must be taken into account.

Hob type	min. worktop thickness	
	fitted	flush
Induction hob	37 mm	38 mm
Full surface Induction hob	47 mm	48 mm
Gas hob	30 mm	38 mm
Electric hob	27 mm	30 mm

