

Series 4, Built-in oven with added steam function, 60 x 60 cm, Black HRA574EB0A



HEZ327000 Pizza stone, HEZ32WA00 Wireless food thermometer, HEZ530000 Half tray, HEZ531010 Baking tray, non-stick ceramic coated, HEZ532010 Universal pan, non-stick ceramic coated, HEZ538000 1fold telescopic rail, level independent, HEZ617000 Pizza pan, enamelled, HEZ629070 Air Fry & Grill tray, HEZ631070 Baking tray, enamelled, HEZ632070 Multipurpose pan, enamelled, HEZ633001 Lid for professional pan, enamelled, HEZ633070 Professional pan, enamelled, HEZ634000 Baking and roasting grid (standard), HEZ636000 Glass pan, HEZ638000 Full ext rails, level independent, HEZ660050 Cover Strip, HEZ664000 Baking and roasting grid (steam), HEZ915003 Glass roasting dish, 5,4 L

The Built-in Oven with HotAir Steam function: achieve delicious baking and roasting results.

- **Pyrolytic self-cleaning:** Automatically cleans the oven, just wipe out the ash.
- **Hotair steam:** as heat and humidity are distributed equally in the oven interior food turn out crispy on the outside and juicy on the inside.
- **AutoPilot 10:** every dish is a perfect success thanks to 10 pre-set automatic programs.
- **1-level telescopic rail:** for safe, easy insertion and removal of baking trays.
- **Red LED display control:** easy-to-use thanks to the time functions.

Color / Material Front:	Black
Built-in / Free-standing:	Built-in
Door opening:	Drop down
Cleaning :	Pyrolytic+Hydrolytic
Control Panel Material:	Glass
Door Material:	Glass
Dimensions (HxWxD):	595 x 594 x 548 mm
Dimensions of the packed product (HxWxD):	675 x 660 x 690 mm
Min. required niche size for installation (HxWxD):	585-595 x 560-568 x 550 mm
Cavity dimensions:	357 x 480 x 415 mm
Usable volume of cavity:	71 l
Number of interior lights:	1
Net weight:	36.7 kg
Gross weight:	38.8 kg
EAN code:	4242005293995
Connection rating:	3600 W
Fuse protection:	16 A
Voltage:	220-240 V
Frequency:	50; 60 Hz
Length electrical supply cord:	120.0 cm



Series 4, Built-in oven with added steam function, 60 x 60 cm, Black HRA574EB0A

The Built-in Oven with HotAir Steam function: achieve delicious baking and roasting results.

Heating Functions

- 8 heating methods: 3D Hotair, Top/bottom heating, Hot air grilling, Full width grill, Pizza setting, Bottom heating, Hotair gentle, HotAir + Steam
- Temperature range 50 °C - 275 °C
- Cavity volume: 71 net usable litres

Hook-in racks / rails

- Number of shelf levels: 5
- 1 level telescopic rail, safety stop function

Design

- Rotary control knobs, Retractable control knobs
- Extra large capacity oven with grey enamel

Cleaning

- Pyrolytic self-cleaning function
- Cleaning Assistance - cleaning option for light soiling
- Full glass inner door

Convenience

- Water bowl with a volume of 250 ml
- LED-display control (red)
- Electronic clock/timer with end time programming
- Automatic start, Actual temperature display
- AutoPilot, 10 automatic programs
- Bar handle
- Automatic programs
- Fast heat
- Halogen lighting
- Integrated cooling fan

Accessories

- 1 x Air Fry & Grill tray, 2 x combination grid, 1 x universal pan

Safety and Environment

- Quadruple glazed CoolTouch door
- Low door temperature during pyrolytic cleaning
- Electronic door lock, Child lock, Automatic safety switch off function

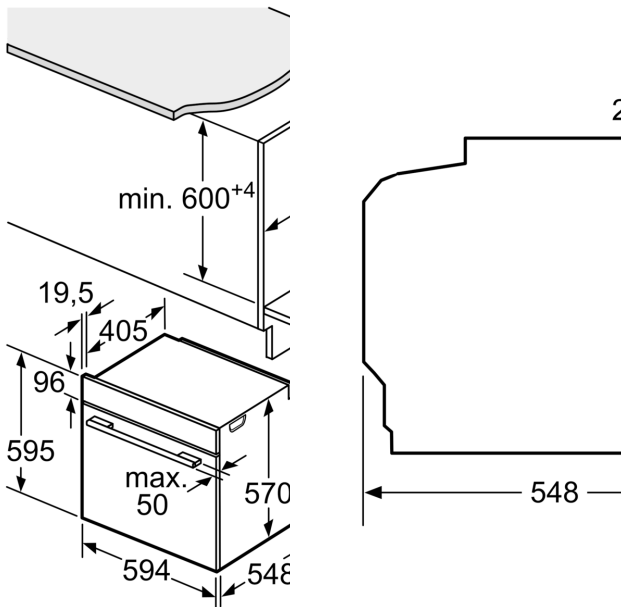
Technical Info

- Length of mains cable: 120 cm
- Nominal voltage: 220 - 240 V
- Total connected load electric: 3.6 KW

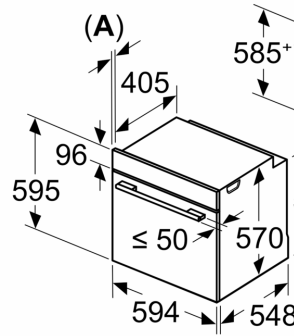
Dimensions

- Appliance dimensions (HxWxD): 595 mm x 594 mm x 548 mm
- Installation dimensions (HxWxD): 585 mm - 595 mm x 560 mm - 568 mm x 550 mm
- Please reference the built-in dimensions provided in the installation drawing

Series 4, Built-in oven with added steam function, 60 x 60 cm, Black HRA574EB0A



Measurements in mm



A: 19,5 mm
B: Space for appliance
 115 mm

Installation with a hob

