

Series 8, Built-in oven with added steam and microwave function, 60 x 60 cm, Carbon black HNG8764C7



AOVG9MF00S Mech. Child safety lock (high glass), HEZ327000 Pizza stone, HEZ531010 Baking tray, non-stick ceramic coated, HEZ532010 Universal pan, non-stick ceramic coated, HEZ617000 Pizza pan, enamelled, HEZ625071 Grill tray, anthracite, HEZ631070 Baking tray, enamelled, HEZ632070 Multipurpose pan, enamelled, HEZ633001 Lid for professional pan, enamelled, HEZ633070 Professional pan with grid, enamelled, HEZ634080 Baking and roasting grid, microwave, HEZ635000 Barbecue-Set, HEZ636000 Glass pan, HEZ660050 Cover Strip, HEZ664000 Baking and roasting grid, steam, HEZ6BMA00 Assembly kit for vertical installation, HEZ915003 Glass roasting dish, 5,4 L, HEZG0AS00 Connecting cable 3m

The built-in oven with PerfectBake plus, PerfectRoast plus, microwave and added steam: displays in how many minutes perfect and crispy results are reached - even when time is short.

- **Microwave function:** for quick warming up or for fast cooking in combination with hot air.
- **Added Steam:** achieve cooking results that are crispy on the outside and juicy on the inside.
- **PerfectRoast plus:** know exactly when your roast is done.
- **1-level telescopic rail:** for safe, easy insertion and removal of baking trays.
- **Home Connect:** Access recipes and send cooking information directly to the oven via the Home Connect app.

Additional function: Microwave combination
 Built-in / Free-standing: Built-in
 Door opening: Handle
 Door colour: Black
 Cleaning : Pyrolytic+Hydrolytic
 Control Panel Material: Glass
 Dimensions (HxWxD): 595x594x548 mm
 Dimensions of the packed product (HxWxD): 670 x 670 x 680 mm
 Min. required niche size for installation (HxWxD): 585-595 x 560-568 x 550 mm
 Cavity dimensions: 357.0 x 480 x 392.0 mm
 Cavity capacity: 67 l
 Max. microwave power level: 800 W
 Number of interior lights:3
 Net weight:49.4 kg
 Gross weight: 52.6 kg
 EAN code:4242005212576
 Connection rating: 3600 W
 Fuse protection:16 A
 Voltage: 220-240 V
 Frequency: 50; 60 Hz
 Length electrical supply cord: 120.0 cm



Series 8, Built-in oven with added steam and microwave function, 60 x 60 cm, Carbon black HNG8764C7

The built-in oven with PerfectBake plus, PerfectRoast plus, microwave and added steam: displays in how many minutes perfect and crispy results are reached - even when time is short.

function, Residual heat indicator, Start button, Door contact switch

Technical Info

- Length of mains cable: 120 cm
- Nominal voltage: 220 - 240 V
- Total connected load electric: 3.6 KW

Dimensions

- Appliance dimensions (HxWxD): 595 mm x 594 mm x 548 mm
- Installation dimensions (HxWxD): 585 mm - 595 mm x 560 mm - 568 mm x 550 mm
- Please reference the built-in dimensions provided in the installation drawing

Heating Functions

- Oven with microwave with 14 heating methods:
- 4D HotAir, Drying, Full width grill, 4D HotAir Eco, Intensive heat, Half width grill, Top/bottom heating, Top/bottom heating Eco, Pizza setting, Slow cooking, Bottom heating, Hot air grilling, Preheat ovenware, Keep warm
- Additional heating methods with steam: Reheating, Dough Proving
- Additional heating methods with microwave: Pure microwave, Combination microwave and conventional oven
- Intelligent inverter technology: maximum output power will be regulated to 600 W when used in longer operation
- Temperature range 30 °C - 300 °C
- Cavity volume: 67 net usable litres

Hook-in racks / rails

- Number of shelf levels: 5
- 1 level telescopic rail, pyrolytic proof

Design

- Bosch Control Ring
- Cavity inner surface: enamel

Cleaning

- Pyrolytic self-cleaning function
- Cleaning Assistance - cleaning option for light soiling

Convenience

- TFT Touch Graphic Display
- Electronic clock/timer with end time programming
- Automatic temperature proposal, Residual heat indicator, Actual temperature display, Meat probe function
- Drop down door
- Bar handle
- Bosch Assist - a menu of dishes for automatic cooking
- PerfectRoast Plus multipoint meat probe
- Automatic rapid heat function
- LED light, Multi-level LED lighting
- Water tank empty indicator
- Location of the steam generator is outside of the cavity
- Integrated cooling fan
- HomeConnect

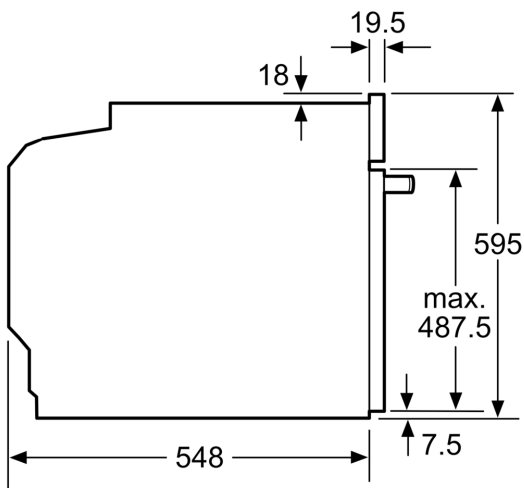
Accessories

- 1 x enamel baking tray, 1 x combination grid, 1 x universal pan

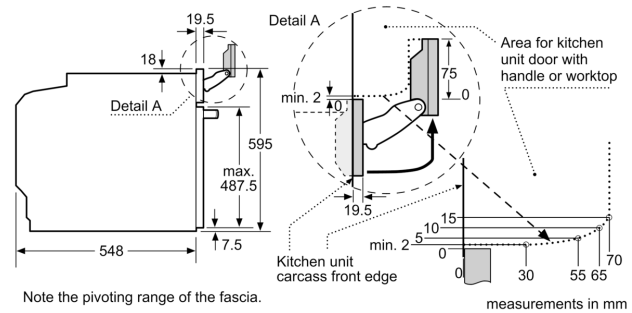
Safety and Environment

- Quadruple glazed CoolTouch door
- Electronic door lock, Child lock, Automatic safety switch off

Series 8, Built-in oven with added steam and microwave function, 60 x 60 cm, Carbon black HNG8764C7



measurements in mm



If the appliance will be installed underneath a hob, the following worktop thicknesses (including substructure if necessary) must be taken into account.

Hob type	min. worktop thickness	
	fitted	flush
Induction hob	37 mm	38 mm
Full surface Induction hob	47 mm	48 mm
Gas hob	30 mm	38 mm
Electric hob	27 mm	30 mm

