

**Serie | 4, Freestanding dual fuel
cooker, Stainless steel
HGD74W455A**



**The freestanding electric cooker with up to
8 heating modes and gas cooktop: lets you
cook like a professional.**

- **Wok burner:** powerful cooking at up to 13.5 Mj/h.
- **3D Hotair Plus:** perfect results thanks to optimal distribution of heat on up to 3 levels simultaneously.
- Electronic clock/timer with LED display

Technical Data

Built-in / Free-standing :	Free-standing
Dimensions of the product (mm) :	900 x 600 x 600
Length electrical supply cord (cm) :	120
Net weight (kg) :	59.751
Gross weight (kg) :	64.0
EAN code :	4242002852171
Number of cavities (2010/30/EC) :	1
Usable volume (of cavity) - NEW (2010/30/EC) :	66
Energy efficiency class (2010/30/EC) :	A
Energy consumption per cycle conventional (2010/30/EC) :	0.98
Energy consumption per cycle forced air convection (2010/30/EC) :	0.84
Energy efficiency index (2010/30/EC) :	101.2
Connection Rating (W) :	3200
Current (A) :	16
Voltage (V) :	240
Frequency (Hz) :	50
Plug type :	no plug

Included accessories

- 1 x enamel baking tray
- 1 x grill tray
- 2 x grid
- 1 x universal pan

Optional accessories

- HEZ327000 : Pizza stone
- HEZ334000 : Wire shelf

**Serie | 4, Freestanding dual fuel cooker,
Stainless steel
HGD74W455A**

**The freestanding electric cooker with up to
8 heating modes and gas cooktop: lets you
cook like a professional.**

2 year warranty

Accessories

- 1 x enamel baking tray, 1 x grill tray, 2 x grid, 1 x universal pan

Technical Info

- Appliance dimensions (HxWxD): 900 mm x 600 mm x 600 mm
- Total connected load electric: 3.2 KW
- Length of mains cable: 120 cm
- Suitable for natural gas and LPG

COOKTOP

Design

- 4 burners: 2 standard, 1 economy, 1 wok burner
- Stainless steel gas cooktop

Size & Power

- Rear left: Standard burner 6.5 Mj/h
- Front left: Wok burner 13.5 Mj/h
- Rear right: Standard burner 6.5 Mj/h
- Front right: Economy burner 4 Mj/h

Comfort & Convenience

- One-hand electronic ignition via controls
- Enamelled cast-iron trivets with rubber feet

Safety and Environment

- Flame failure device fitted to each individual burner

OVEN

Size & Power

- Extra large capacity oven (66 l) with grey enamel
- 8 cooking functions:
 - Defrost
 - Top/bottom heating
 - Bottom heating
 - 3D hot air
 - Hot air grilling
 - Grill - large area
 - Grill - small area
 - Pizza setting
- Rapid heating up

Cleaning

- Catalytic side, back and roof liners
- Full glass inner door

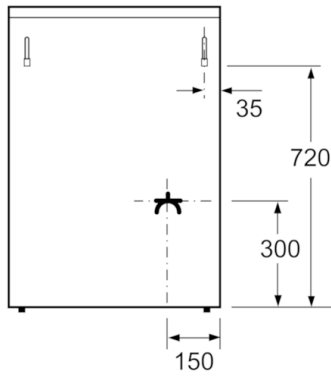
Comfort & Convenience

- Electronic clock/timer with LED display
- Oven door with SoftClose
- Number of oven lights: 1 PC
- Storage drawer
- Height adjustable legs by 50 mm

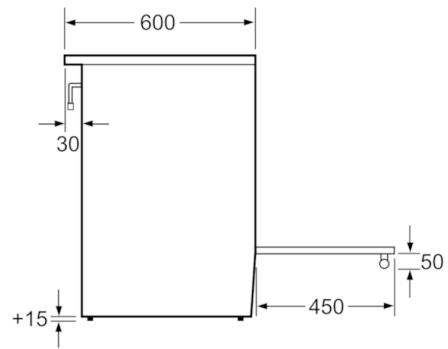
Safety and Environment

- Triple-glazed door

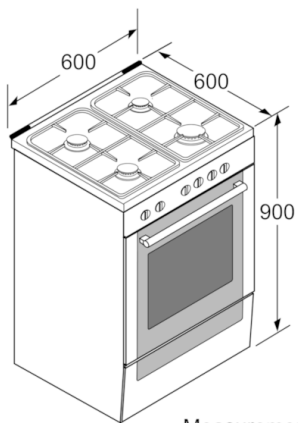
**Serie | 4, Freestanding dual fuel cooker,
Stainless steel
HGD74W455A**



Measurements in mm



Measurements in mm



Measurements in mm