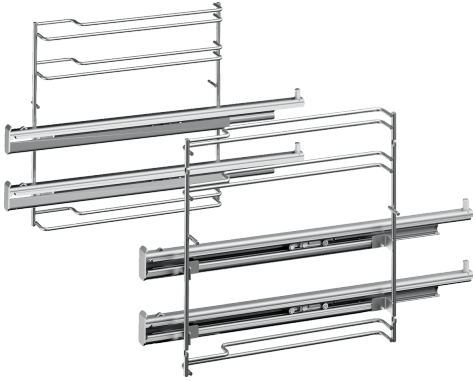


**Full extension rails, 2-level,  
Stainless steel  
HEZ638270**



Dimensions of the packed product (HxWxD): ..... 85 x 300 x 415 mm  
Pallet dimensions: ..... 95.0 x 80.0 x 120.0  
Standard number of units per pallet: ..... 48  
Net weight: ..... 2.4 kg  
Gross weight: ..... 2.7 kg  
EAN code: ..... 4242002810140



4 242002 810140