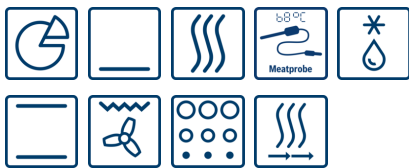


Serie | 6, Oven, Stainless steel HBT578FS1A



Included accessories

1 x enamel baking tray
2 x combination grid
1 x universal pan
2 x Universal pan
slim size

Optional accessories

HEZ327000 : Pizza stone
HEZ530000 : Half tray
HEZ531010 : Baking tray, non-stick ceramic coated
HEZ532010 : Universal pan, non-stick ceramic coated
HEZ538000 : 1fold telescopic rail, level independent
HEZ538200 : 2 level telescopic shelf rails
HEZ625071 : Grill tray, anthracite enamelled
HEZ633001 : Lid for professional pan, enamelled anth
HEZ634000 : Baking and roasting grid (standard)
HEZ636000 : Glass pan

The built-in oven with meat probe and AutoPilot: automatically prepares your dishes to perfection.

- **Meat probe:** measures the optimal core temperature of your roast.
- **AutoPilot 30:** every dish is a perfect success thanks to 30 pre-set automatic programmes.
- **Pyrolytic self-cleaning:** no cleaning effort thanks to automatic self-cleaning.
- **1-level telescopic rail:** for safe, easy insertion and removal of baking trays.
- **Slim Universal Pans (half trays):** 2 universal pans, slim size; optimised for smaller dishes
- **3D Hotair:** perfect results thanks to optimal distribution of heat on up to 3 levels simultaneously.
- **White LCD display control:** easy-to-use thanks to direct access to additional functions, temperature recommendation and temperature indication.
- Drop down door with SoftClose mechanism

Technical Data

Color / Material Front :	Stainless steel
Built-in / Free-standing :	Built-in
Integrated Cleaning system :	Pyrolytic
Required niche size for installation (HxWxD) :	585-595 x 560-568 x 550
Dimensions of the product (mm) :	595 x 594 x 548
Dimensions of the packed product (HxWxD) (mm) :	675 x 690 x 660
Control Panel Material :	Stainless steel
Door Material :	Glass
Net weight (kg) :	40.495
Usable volume of cavity (l) :	71
Cooking method :	Bottom heat, Conventional heat, Defrost, Full width grill, Hot Air, Hotair gentle, Hot air grilling, low temperature cooking, Pizza setting, warming
First cavity material :	Other
Temperature control :	No control of the temperature
Number of interior lights :	1
Approval certificates :	CE, VDE
Length electrical supply cord (cm) :	120
EAN code :	4242005057467
Number of cavities (2010/30/EC) :	1
Energy efficiency class (2010/30/EC) :	A
Energy consumption per cycle conventional (2010/30/EC) :	0.99
Energy consumption per cycle forced air convection (2010/30/EC) :	0.81
Energy efficiency index (2010/30/EC) :	95.3
Connection Rating (W) :	3600
Current (A) :	16
Voltage (V) :	220-240
Frequency (Hz) :	60; 50
Plug type :	no plug



4 242005 057467

Serie | 6, Oven, Stainless steel HBT578FS1A

The built-in oven with meat probe and AutoPilot: automatically prepares your dishes to perfection.

Heating Functions

- Oven with 10 heating methods:
 - 3D Hotair
 - Top/bottom heating
 - Hot air grilling
 - Full width grill
 - Pizza setting
 - Bottom heating
 - Slow cooking
 - Defrost
 - Keep warm
 - Hotair gentle
- Temperature range 30 °C - 275 °C
- Rapid heating-up

Hook-in racks / rails

- 1 level telescopic rail, safety stop function

Design

- Rotary control knobs, Retractable control knobs
- Enamel grey with 5 shelf positions
- Cavity volume: 71 net usable litres

Cleaning

- 3 Stage pyrolytic cleaning
- Full glass inner door

Convenience

- LCD-display control (white)
- Electronic clock/timer with end time programming
- Single-point meat probe
- 30 automatic programs
- Halogen lighting
- Cooling fan
- Bar handle
- Electronic functions: Sabbath mode, automatic start, Actual temperature display, Automatic temperature proposal, AutoPilot

Safety and Environment

- Quadruple glazed CoolTouch door
- Electronic door lock
 - Child lock function
 - Automatic safety switch off function
 - Residual heat indicator

Accessories

- 1 x enamel baking tray, 2 x combination grid, 1 x universal pan, 2 x Universal pan, slim size

2 year warranty

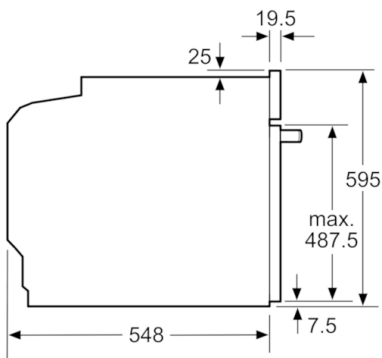
Technical Info

- Length of mains cable: 120 cm
- Nominal voltage: 220 - 240 V
- Total connected load electric: 3.6 KW

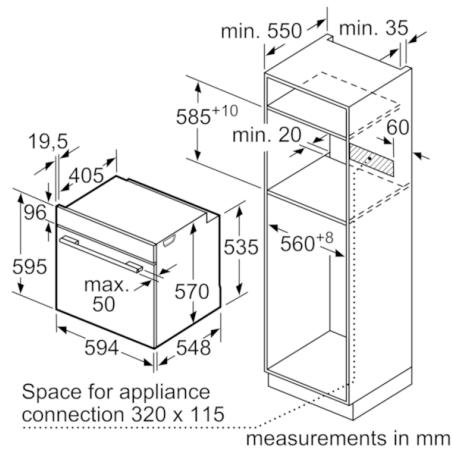
Dimensions

- Appliance dimensions (HxWxD): 595 mm x 594 mm x 548 mm
- Installation dimensions (HxWxD): 585 mm - 595 mm x 560 mm - 568 mm x 550 mm

**Serie | 6, Oven, Stainless steel
HBT578FS1A**

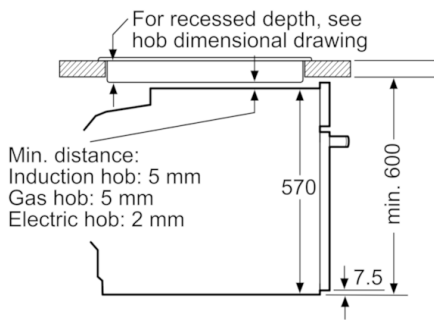


measurements in mm



measurements in mm

Installation with a hob.



measurements in mm