

**Series 8, Built-in oven, 60 x 60 cm,  
Black  
HBG976MB1A**



**The built-in oven with Digital Control Ring and TFT-touchdisplay, Assist function for meals, Air Fry, PerfectRoast Plus, Home Connect for control via the App.**

- **TFT Touch Display Plus:** control with an innovative Digital Control Ring and enlarged TFT touchscreen
- **Air Fry Function with tray:** for perfectly fried foods, such as vegetables and chips.
- **Pyrolytic self-cleaning:** automatically cleans the oven, just wipe out the ash.
- **PerfectRoast Plus:** knows exactly when your roast is done.
- **Recipe World:** delicious inspirations that match your taste.

---

Color / Material Front: .....	Black
Built-in / Free-standing: .....	Built-in
Door opening: .....	Drop down
Cleaning : .....	Pyrolytic+Hydrolytic
Control Panel Material: .....	Glass
Door Material: .....	Glass
Dimensions (HxWxD): .....	595 x 594 x 548 mm
Dimensions of the packed product (HxWxD): .....	670 x 670 x 680 mm
Min. required niche size for installation (HxWxD): .....	585-595 x 560-568 x 550 mm
Cavity dimensions: .....	357 x 480 x 415 mm
Usable volume of cavity: .....	71 l
Number of interior lights: .....	1
Net weight: .....	39.3 kg
Gross weight: .....	41.7 kg
EAN code: .....	4242005326877
Connection rating: .....	3600 W
Fuse protection: .....	16 A
Voltage: .....	220-240 V
Frequency: .....	50; 60 Hz
Length electrical supply cord: .....	120.0 cm

---

HEZ617000 Pizza pan, enamelled, HEZ629070 Air Fry & Grill tray, HEZ631070 Baking tray, enamelled, HEZ632070 Multipurpose pan, enamelled, HEZ633001 Lid for professional pan, enamelled, HEZ633070 Professional pan, enamelled, HEZ633073 Professional pan, enamelled, HEZ634000 Baking and roasting grid (standard), HEZ635001 AirFry & Grill Set, HEZ638070 Full ext rails, level independent, pyro, HEZ660060 Strip, HEZ664000 Baking and roasting grid (steam), HEZ6BMA00 Assembly kit for vertical installation, HEZ915003 Glass roasting dish, 5,4 L, HEZ327000 Pizza stone, HEZ32WA00 Wireless food thermometer, HEZ531010 Baking tray, non-stick ceramic coated, HEZ532010 Universal pan, non-stick ceramic coated



## **Series 8, Built-in oven, 60 x 60 cm, Black HBG976MB1A**

**The built-in oven with Digital Control Ring and TFT-touchdisplay, Assist function for meals, Air Fry, PerfectRoast Plus, Home Connect for control via the App.**

- Nominal voltage: 220 - 240 V
- Total connected load electric: 3.6 KW

### **Dimensions**

- Appliance dimensions (HxWxD): 595 mm x 594 mm x 548 mm
- Installation dimensions (HxWxD): 585 mm - 595 mm x 560 mm - 568 mm x 550 mm
- Please reference the built-in dimensions provided in the installation drawing

### **Heating Functions**

- Oven with 14 cooking functions: 4D HotAir, Top/bottom heating, Hot air grilling, Full width grill, Half width grill, Pizza setting, Bottom heating, Slow cooking, Defrost, Preheat ovenware, Keep warm, Hotair gentle, Conventional heat gentle, AirFry
- Temperature range 30 °C - 300 °C
- Cavity volume: 71 net usable litres

### **Hook-in racks / rails**

- Number of shelf levels: 5
- 1 set of level independent telescopic rails (Clip-on rail), pyrolytic proof, fully extendable, safety stop function

### **Design**

- Carbon Black Design
- Cavity inner surface: enamel
- Touch control
- Digital Control Ring

### **Cleaning**

- Pyrolytic self-cleaning function
- Cleaning Assistance (HydroClean program)

### **Convenience**

- TFT-Touchdisplay Plus
- Automatic temperature proposal, Residual heat indicator, Actual temperature display, Meat probe function
- Air Fry Function
- PerfectRoast Plus multipoint meat probe
- Bosch Assist - a menu of dishes for automatic cooking
- HomeConnect
- Oven Assistant with Voice Control
- Automatic rapid heat function
- Drop down door
- Oven door with SoftOpen and SoftClose door
- Integrated cooling fan
- LED light
- Electronic clock/timer with end time programming

### **Accessories**

- 1 x Air Fry & Grill tray, 2 x combination grid, 1 x universal pan

### **Safety and Environment**

- Electronic door lock, Child lock, Automatic safety switch off function, Residual heat indicator, Start button, Door contact switch
- Quadruple glazed CoolTouch door
- Low door temperature during pyrolytic cleaning
- Full glass inner door

### **Technical Info**

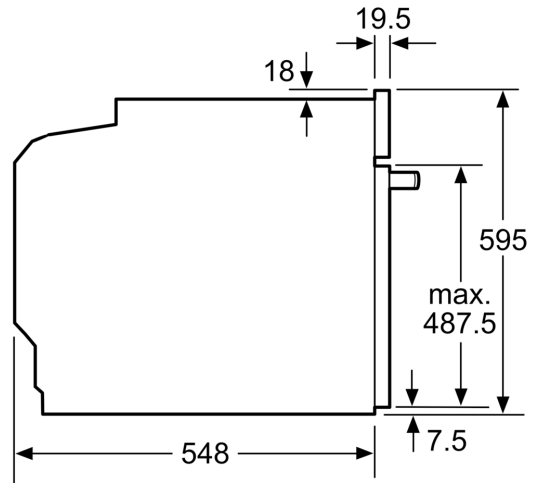
- Length of mains cable: 120 cm

**Series 8, Built-in oven, 60 x 60 cm,  
Black  
HBG976MB1A**

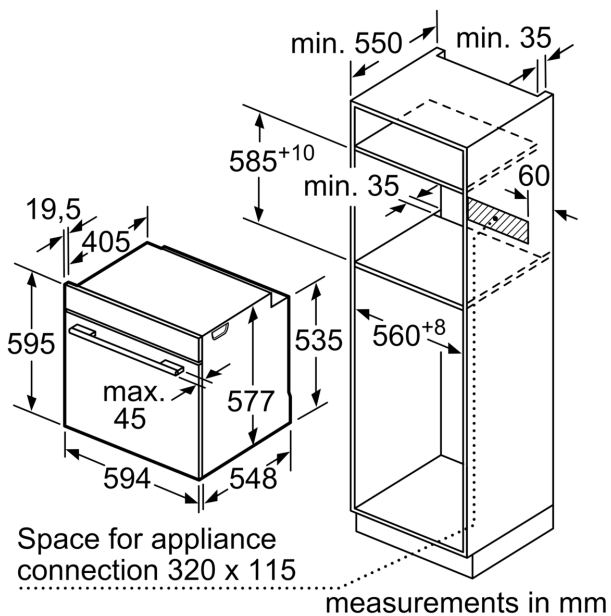
Installing two appliances on top of each other  
other  
Air exchange



A: Air inlet  $\geq 200 \text{ cm}^2$



measurements in mm



If the appliance will be installed underneath a hob, the following worktop thicknesses (including substructure if necessary) must be taken into account.

Hob type	min. worktop thickness	
	fitted	flush
Induction hob	37 mm	38 mm
Full surface Induction hob	47 mm	48 mm
Gas hob	30 mm	38 mm
Electric hob	27 mm	30 mm

