

**Series 8, Built-in oven, 60 x 60 cm,  
Carbon black  
HBG8755C0**



HEZ327000 Pizza stone, HEZ530000 Half tray, HEZ531010 Baking tray, non-stick ceramic coated, HEZ532010 Universal pan, non-stick ceramic coated, HEZ617000 Pizza pan, enamelled, HEZ625071 Grill tray, anthracite, HEZ631070 Baking tray, enamelled, HEZ632070 Multipurpose pan, enamelled, HEZ633001 Lid for professional pan, enamelled, HEZ633070 Professional pan with grid, enamelled, HEZ634000 Baking and roasting grid, HEZ635000 Barbecue-Set, HEZ636000 Glass pan, HEZ660050 Cover Strip, HEZ664000 Baking and roasting grid, steam, HEZ6BMA00 Assembly kit for vertical installation, HEZ915003 Glass roasting dish, 5,4 L, HEZG0AS00 Connecting cable 3m

**The built-in oven with AutoPilot:  
automatically prepares perfect dishes.**

- **4D Hotair:** even heat distribution on all levels for perfect baking results without mixing flavours.
- **AutoPilot 10:** every dish is a perfect success thanks to 10 pre-set automatic programs.
- **TFT Touch Display:** easy-to-use thanks to the Control Ring with clear text and symbols.
- **Pyrolytic self-cleaning:** Automatically cleans the oven, just wipe out the ash.
- **3-stage telescoping rails, fully extendable:** for safe, easy insertion and removal of baking trays.

Built-in / Free-standing: ..... Built-in  
 Door opening: ..... Drop down  
 Cleaning : ..... Pyrolytic+Hydrolytic  
 Control Panel Material: ..... Glass  
 Door Material: ..... Glass  
 Dimensions (HxWxD): ..... 595x594x548 mm  
 Dimensions of the packed product (HxWxD): ..... 670 x 670 x 680 mm  
 Min. required niche size for installation (HxWxD): 585-595 x 560-568 x 550 mm  
 Cavity dimensions: ..... 357 x 480 x 415 mm  
 Usable volume of cavity: ..... 71 l  
 Number of interior lights: ..... 1  
 Net weight: ..... 40.8 kg  
 Gross weight: ..... 43.2 kg  
 EAN code: ..... 4242005111046  
 Connection rating: ..... 3600 W  
 Fuse protection: ..... 16 A  
 Voltage: ..... 220-240 V  
 Frequency: ..... 50; 60 Hz  
 Length electrical supply cord: ..... 120.0 cm



## **Series 8, Built-in oven, 60 x 60 cm, Carbon black HBG8755C0**

- Please reference the built-in dimensions provided in the installation drawing

### **The built-in oven with AutoPilot: automatically prepares perfect dishes.**

---

#### **Heating Functions**

- Oven with 13 heating methods:
- 4D HotAir, Defrost, Full width grill, 4D HotAir Eco, Half width grill, Top/bottom heating, Top/bottom heating Eco, Pizza setting, Slow cooking, Bottom heating, Hot air grilling, Preheat ovenware, Keep warm
- Temperature range 30 °C - 300 °C
- Cavity volume: 71 net usable litres

#### **Hook-in racks / rails**

- Number of shelf levels: 5
- 3-level telescopic rails, pyrolytic proof, fully extendable, safety stop function

#### **Design**

- Bosch Control Ring
- Cavity inner surface: enamel

#### **Cleaning**

- Pyrolytic self-cleaning function
- Cleaning Assistance - cleaning option for light soiling
- Full glass inner door

#### **Convenience**

- TFT Touch Symbol Display
- Electronic clock/timer with end time programming
- Automatic temperature proposal, Residual heat indicator, Actual temperature display
- AutoPilot, 10 automatic programs
- Drop down door
- Bar handle
- Automatic programs
- Automatic rapid heat function
- Halogen lighting
- Integrated cooling fan

#### **Accessories**

- 1 x enamel baking tray, 1 x combination grid, 1 x universal pan

#### **Safety and Environment**

- Quadruple glazed CoolTouch door
- Low door temperature during pyrolytic cleaning
- Electronic door lock, Child lock, Automatic safety switch off function, Residual heat indicator, Start button, Door contact switch

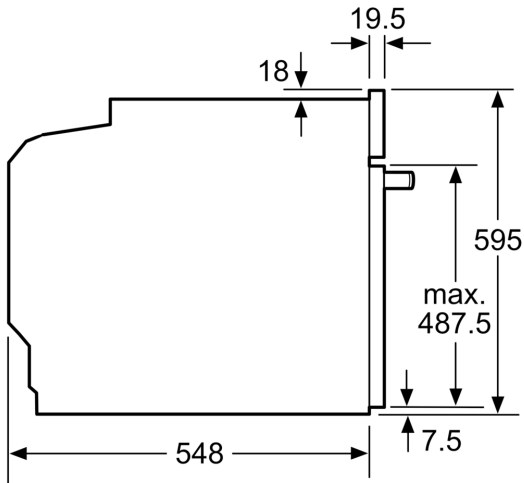
#### **Technical Info**

- Length of mains cable: 120 cm
- Nominal voltage: 220 - 240 V
- Total connected load electric: 3.6 KW

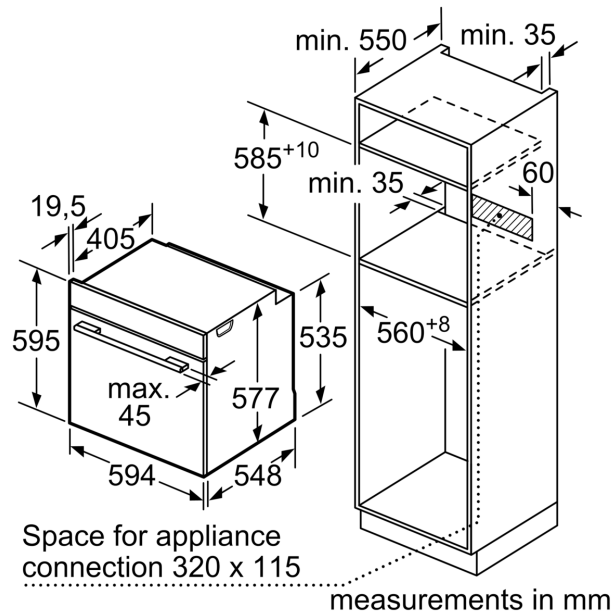
#### **Dimensions**

- Appliance dimensions (HxWxD): 595 mm x 594 mm x 548 mm
- Installation dimensions (HxWxD): 585 mm - 595 mm x 560 mm - 568 mm x 550 mm

**Series 8, Built-in oven, 60 x 60 cm,  
Carbon black  
HBG8755C0**



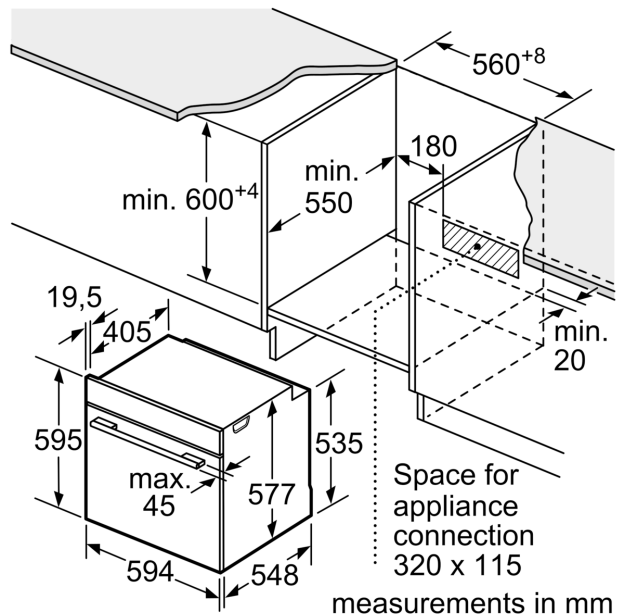
measurements in mm



measurements in mm

If the appliance will be installed underneath a hob, the following worktop thicknesses (including substructure if necessary) must be taken into account.

Hob type	min. worktop thickness	
	fitted	flush
Induction hob	37 mm	38 mm
Full surface Induction hob	47 mm	48 mm
Gas hob	30 mm	38 mm
Electric hob	27 mm	30 mm



measurements in mm