

**Series 8, Built-in oven, 60 x 60 cm,
Black
HBG7741B1A**



HEZ327000 Pizza stone, HEZ32WA00 Wireless food thermometer, HEZ531010 Baking tray, non-stick ceramic coated, HEZ532010 Universal pan, non-stick ceramic coated, HEZ617000 Pizza pan, enamelled, HEZ629070 Air Fry & Grill tray, HEZ631070 Baking tray, enamelled, HEZ632070 Multipurpose pan, enamelled, HEZ633001 Lid for professional pan, enamelled, HEZ633070 Professional pan with grid, enamelled, HEZ633073 Professional pan, enamelled, HEZ634000 Baking and roasting grid, HEZ636000 Glass pan, HEZ638070 Full ext rails, level independent, pyro, HEZ660060 Strip, HEZ664000 Baking and roasting grid, steam, HEZ915003 Glass roasting dish, 5,4 L

The built-in oven with Digital Control Ring and TFT-touchdisplay. Assist function for meals, Air Fry, Home Connect for control via the App.

- **TFT Touch Display:** easy control thanks to an innovative Digital Control Ring and TFT touchscreen.
- **Air Fry Function with tray:** for perfectly fried foods, such as vegetables and chips.
- **Pyrolytic self-cleaning:** automatically cleans the oven, just wipe out the ash.
- **Home Connect with Remote Control and Monitoring:** discover the full potential of your smart oven.
- **Favourites:** set and manage favourite oven settings.

Color / Material Front: Black
 Built-in / Free-standing: Built-in
 Door opening: Drop down
 Cleaning : Pyrolytic+Hydrolytic
 Control Panel Material: Glass
 Door Material: Glass
 Dimensions (HxWxD): 595x594x548 mm
 Dimensions of the packed product (HxWxD): 670 x 670 x 680 mm
 Min. required niche size for installation (HxWxD): 585-595 x 560-568 x 550 mm
 Cavity dimensions: 357 x 480 x 415 mm
 Usable volume of cavity: 71 l
 Number of interior lights: 1
 Net weight: 37.9 kg
 Gross weight: 40.3 kg
 EAN code: 4242005326570
 Connection rating: 3600 W
 Fuse protection: 16 A
 Voltage: 220-240 V
 Frequency: 50; 60 Hz
 Length electrical supply cord: 120.0 cm



Series 8, Built-in oven, 60 x 60 cm, Black HBG7741B1A

The built-in oven with Digital Control Ring and TFT-touchdisplay. Assist function for meals, Air Fry, Home Connect for control via the App.

- Total connected load electric: 3.6 KW

Dimensions

- Appliance dimensions (HxWxD): 595 mm x 594 mm x 548 mm
- Installation dimensions (HxWxD): 585 mm - 595 mm x 560 mm - 568 mm x 550 mm
- Please reference the built-in dimensions provided in the installation drawing

Heating Functions

- Oven with 14 cooking functions: 3D Hotair, Top/bottom heating, Hot air grilling, Full width grill, Half width grill, Pizza setting, Bottom heating, Slow cooking, Defrost, Preheat ovenware, Keep warm, Hotair gentle, Conventional heat gentle, AirFry
- Temperature range 30 °C - 300 °C
- Cavity volume: 71 net usable litres

Hook-in racks / rails

- Number of shelf levels: 5
- Telescopic rails available as optional accessory, pyrolytic proof

Design

- Cavity inner surface: enamel
- Touch control
- Digital Control Ring

Cleaning

- Pyrolytic self-cleaning function
- Cleaning Assistance (HydroClean program)

Convenience

- TFT-touchdisplay
- Automatic temperature proposal, Residual heat indicator, Actual temperature display
- Air Fry Function
- Bosch Assist - a menu of dishes for automatic cooking
- HomeConnect
- Oven Assistant with Voice Control
- Automatic rapid heat function
- Drop down door
- Oven door with SoftOpen and SoftClose door
- Integrated cooling fan
- Halogen lighting
- Electronic clock/timer with end time programming

Accessories

- 1 x Air Fry & Grill tray, 2 x combination grid, 1 x universal pan

Safety and Environment

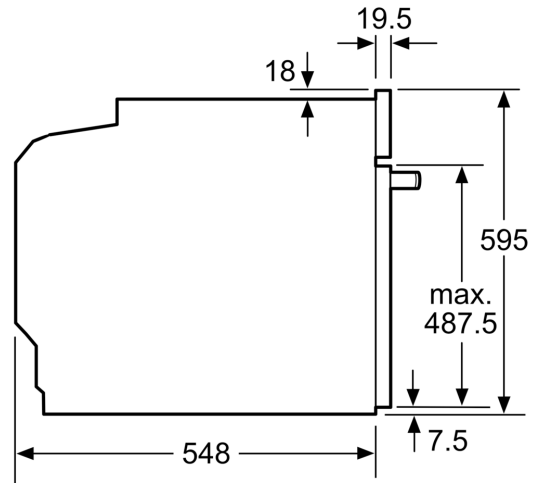
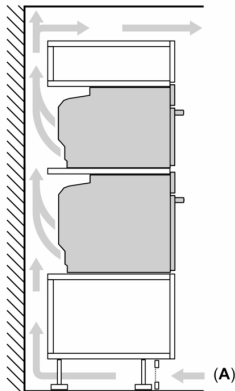
- Electronic door lock, Child lock, Automatic safety switch off function, Residual heat indicator, Start button, Door contact switch
- Quadruple glazed CoolTouch door
- Maximum door temperature 30° C
- Low door temperature during pyrolytic cleaning
- Full glass inner door

Technical Info

- Length of mains cable: 120 cm
- Nominal voltage: 220 - 240 V

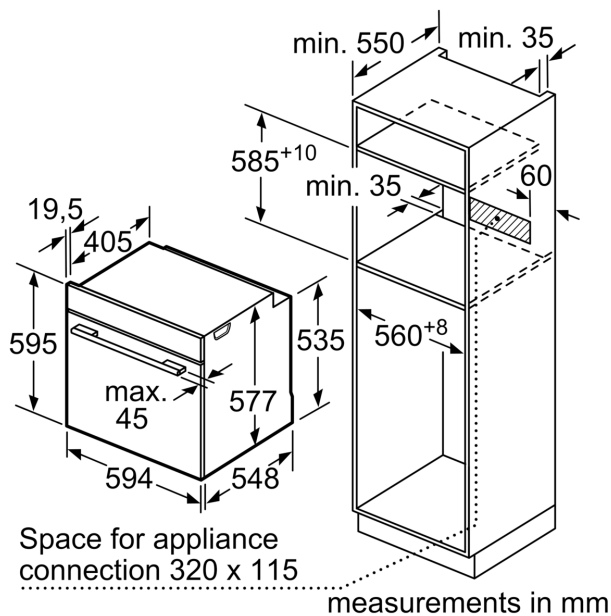
**Series 8, Built-in oven, 60 x 60 cm,
Black
HBG7741B1A**

Installing two appliances on top of each other
other
Air exchange



A: Air inlet $\geq 200 \text{ cm}^2$

measurements in mm



If the appliance will be installed underneath a hob, the following worktop thicknesses (including substructure if necessary) must be taken into account.

Hob type	min. worktop thickness	
	fitted	flush
Induction hob	37 mm	38 mm
Full surface Induction hob	47 mm	48 mm
Gas hob	30 mm	38 mm
Electric hob	27 mm	30 mm

