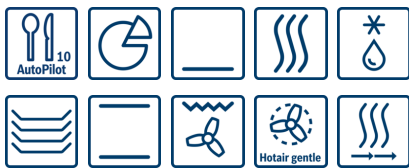


Serie | 8, Oven, Stainless steel HBG655HS1A



Included accessories

1 x grill tray
suit. pyrol. clean.
2 x combination grid
1 x universal pan

Optional accessories

HEZ327000 : Pizza stone
HEZ617000 : Pizza pan, anthracite enamelled
HEZ625071 : Grill tray, anthracite enamelled
HEZ631070 : Baking tray, anthracite enamelled
HEZ632070 : Multipurpose pan, anthracite enamelled
HEZ633001 : Lid for professional pan, enamelled anth
HEZ634000 : Baking and roasting grid (standard)
HEZ636000 : Glass pan

The Series 8 built-in oven: impressive design and results for any kitchen.

- **4D HotAir:** even heat distribution for perfect results – on any level.
- **AutoPilot 10:** every dish is a perfect success thanks to the 10 pre-set automatic programs.
- **TFT display control:** easy-to-use thanks to the control ring with clear text and touch symbols.
- **EcoClean Direct:** almost no cleaning is necessary thanks to a special coating that automatically absorbs grime.

Technical Data

Color / Material Front :	Stainless steel
Built-in / Free-standing :	Built-in
Integrated Cleaning system :	catalytic all sides
Required niche size for installation (HxWxD) :	585-595 x 560-568 x 550
Dimensions of the product (mm) :	595 x 594 x 548
Dimensions of the packed product (HxWxD) (mm) :	675 x 690 x 660
Control Panel Material :	Stainless steel
Door Material :	Glass
Net weight (kg) :	37.916
Usable volume of cavity (l) :	71
Cooking method :	, 4D hot air, Bottom heat, Conventional heat, Defrost, Full width grill, Half width grill, Hot Air-Eco, Hot air grilling, low temperature cooking, Pizza setting, pre-heating, warming
First cavity material :	Enamelled
Temperature control :	electronic
Number of interior lights :	1
Approval certificates :	CE, VDE
Length electrical supply cord (cm) :	120
EAN code :	4242002826998
Number of cavities (2010/30/EC) :	1
Energy efficiency class (2010/30/EC) :	A
Energy consumption per cycle conventional (2010/30/EC) :	0.90
Energy consumption per cycle forced air convection (2010/30/EC) :	0.74
Energy efficiency index (2010/30/EC) :	87.1
Connection Rating (W) :	3600
Current (A) :	16
Voltage (V) :	220-240
Frequency (Hz) :	50; 60
Plug type :	no plug



Serie | 8, Oven, Stainless steel HBG655HS1A

The Series 8 built-in oven: impressive design and results for any kitchen.

Heating Functions

- Oven with 13 heating methods:
 - 4D HotAir
 - 4D HotAir Eco
 - Top/bottom heating
 - Top/bottom heating Eco
 - Hot air grilling
 - Full width grill
 - Half width grill
 - Pizza setting
 - Bottom heating
 - Slow cooking
 - Defrost
 - Preheat ovenware
 - Keep warm
- Rapid heating-up
- Temperature range 30 °C - 300 °C

Sensor Technology & Automatic Programs

- Number of automatic programmes: 10 PC

Design

- TFT Touch Symbol Display
- Bosch Control Ring
- Oven door with SoftClose , SoftOpen
- Cavity volume: 71 net usable litres
- Anthracite enamel cavity with 5 shelf positions

Cleaning

- EcoClean Direct automatic prompt for cleaning function
- EcoClean Direct : side liners, ceiling, back panel
- Full glass inner door

Convenience

- Automatic temperature proposal
 - Actual temperature display
 - Residual heat indicator
 - Sabbath mode
- Cavity with shelf support rails, 2 level telescopic shelf rails,
fully extendable, safety stop function
- Electronic clock/timer with end time programming
- Halogen lighting
- Info button

Safety and Environment

- Triple glazed door
- Child lock function
 - Residual heat indicator
 - Automatic safety switch off function
- Cooling fan
- 2 year warranty

Accessories

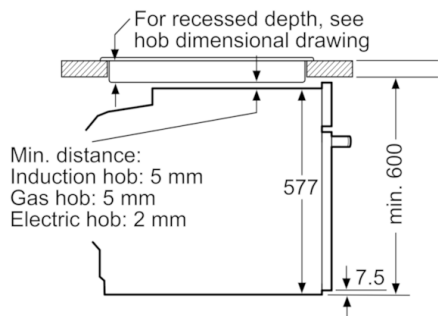
- 1 x grill tray, suit. pyrol. clean., 2 x combination grid, 1 x universal pan

Technical Info

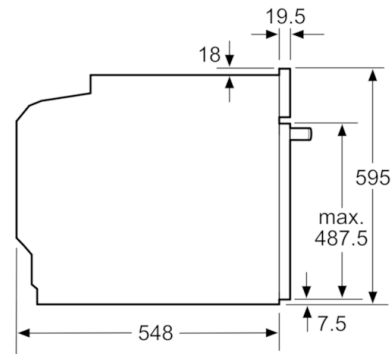
- Appliance dimensions (HxWxD): 595 mm x 594 mm x 548 mm
- Installation dimensions (HxWxD): 585 mm - 595 mm x 560 mm - 568 mm x 550 mm
- Total connected load electric: 3.6 KW
- Length of mains cable: 120 cm

Serie | 8, Oven, Stainless steel HBG655HS1A

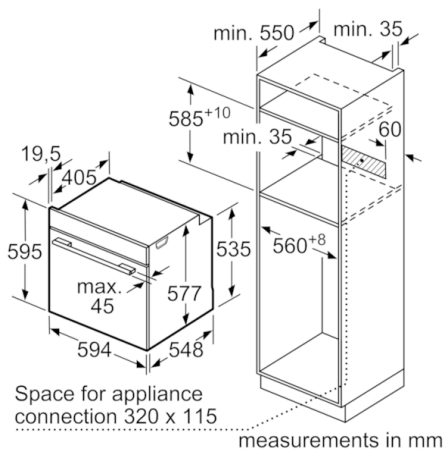
Installation with a hob.



measurements in mm



measurements in mm



If the appliance will be installed underneath a hob, the following worktop thicknesses (including substructure if necessary) must be taken into account.

Hob type	min. worktop thickness	
	fitted	flush
Induction hob	37 mm	38 mm
Full surface Induction hob	47 mm	48 mm
Gas hob	30 mm	38 mm
Electric hob	27 mm	30 mm

