

**Serie | 8, Built-in oven, 60 x 60 cm,
Black
HBG633BB1B**



Optional accessories

- HEZ327000 : Pizza stone
- HEZ530000 : Half tray
- HEZ531010 : Baking tray, non-stick ceramic coated
- HEZ532010 : Universal pan, non-stick ceramic coated
- HEZ617000 : Pizza pan, anthracite enamelled
- HEZ625071 : Grill tray, anthracite enamelled
- HEZ631070 : Baking tray, anthracite enamelled
- HEZ632070 : Multipurpose pan, anthracite enamelled
- HEZ633001 : Lid for professional pan, enamelled anth
- HEZ634000 : Baking and roasting grid (standard)
- HEZ636000 : Glass pan

The Series 8 built-in oven: impressive design and results for any kitchen.

- **4D HotAir:** even heat distribution for perfect results – on any level.
- **TFT display control:** easy-to-use thanks to the control ring with clear text and touch symbols.
- **EcoClean Direct:** almost no cleaning is necessary thanks to a special coating of the rear wall that automatically absorbs grime.
- **SoftMove door with SoftOpen and SoftClose:** the oven door opens and closes especially gently and quietly.

Technical Data

Color / Material Front :	Black
Built-in / Free-standing :	Built-in
Integrated Cleaning system :	catalytic partial, Hydrolytic, Hydrolytic
Required niche size for installation (HxWxD) :	585-595 x 560-568 x 550
Dimensions :	595 x 594 x 548
Dimensions of the packed product (HxWxD) (mm) :	670 x 680 x 670
Control Panel Material :	Glass
Door Material :	Glass
Net weight (kg) :	35.134
Usable volume of cavity (l) :	71
Cooking method :	Bottom heat, Conventional heat, Defrost, Full width grill, Half width grill, Hot Air-Eco, Hot air grilling, Pizza setting
Temperature control :	electronic
Number of interior lights :	1
Approval certificates :	CE, VDE
Length electrical supply cord (cm) :	120
EAN code :	4242002880907
Number of cavities (2010/30/EC) :	1
Energy efficiency rating :	A+
Energy consumption per cycle conventional (2010/30/EC) :	0.87
Energy consumption per cycle forced air convection (2010/30/EC) :	0.69
Energy efficiency index (2010/30/EC) :	81.2
Connection Rating (W) :	3600
Current (A) :	16
Voltage (V) :	220-240
Frequency (Hz) :	50; 60
Plug type :	no plug



Serie | 8, Built-in oven, 60 x 60 cm, Black HBG633BB1B

The Series 8 built-in oven: impressive design and results for any kitchen.

Heating Functions

- Oven with 10 heating methods: 4D HotAir Defrost Full width grill 4D HotAir Eco Half width grill Top/bottom heating Top/bottom heating Eco Pizza setting Bottom heating Hot air grilling
- Rapid heating-up: automatic
- Temperature range 30 °C - 300 °C

Design

- TFT Touch Symbol Display
- Drop down door, Oven door with SoftClose, SoftOpen
- Cavity volume: 71 net usable litres

Cleaning

- EcoClean Direct : back panel

Convenience

- Electronic clock/timer with end time programming
- Halogen lighting

Safety and Environment

- Child lock function Automatic safety switch off function Residual heat indicator Start button Door contact switch
- Cooling fan

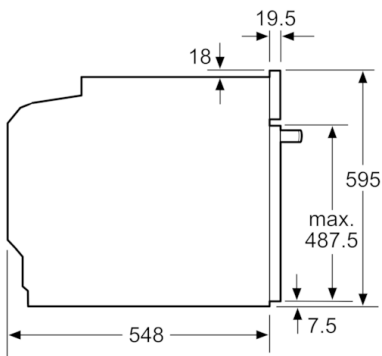
Accessories

- 1 x grill tray, suit. pyrol. clean., 2 x combination grid, 1 x universal pan

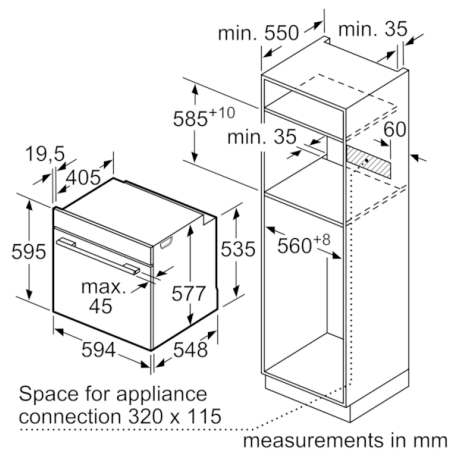
Technical Info

- Appliance dimensions (HxWxD): 595 mm x 594 mm x 548 mm
- Installation dimensions (HxWxD): 585 mm - 595 mm x 560 mm - 568 mm x 550 mm
- Length of mains cable: 120 cm
- Total connected load electric: 3.6 KW
- Please reference the built-in dimensions provided in the installation drawing

**Serie | 8, Built-in oven, 60 x 60 cm, Black
HBG633BB1B**



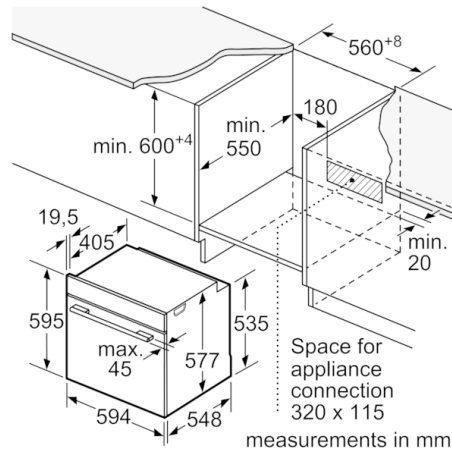
measurements in mm



measurements in mm

If the appliance will be installed underneath a hob, the following worktop thicknesses (including substructure if necessary) must be taken into account.

Hob type	min. worktop thickness	
	fitted	flush
Induction hob	37 mm	38 mm
Full surface Induction hob	47 mm	48 mm
Gas hob	30 mm	38 mm
Electric hob	27 mm	30 mm



measurements in mm