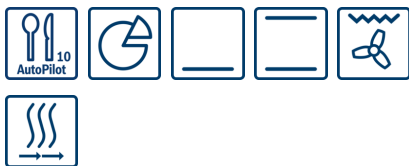


**Serie | 6, Oven, Stainless steel
HBA5570S0A**

Included accessories

1 x grill tray
suit. pyrol. clean.
2 x combination grid
1 x universal pan

Optional accessories

HEZ327000 : Pizza stone
HEZ531010 : Baking tray, non-stick ceramic coated
HEZ532010 : Universal pan, non-stick ceramic coated
HEZ538000 : 1fold telescopic rail, level independent
HEZ538200 : 2 level telescopic shelf rails
HEZ634000 : Baking and roasting grid (standard)

**The built-in oven with AutoPilot:
automatically prepares perfect dishes.**

- **3D Hotair:** perfect results thanks to optimal distribution of heat on up to 3 levels simultaneously.
- **Level independent telescopic rail (clip-on rail):** can be placed in any cooking level.
- **White LCD display control:** easy-to-use thanks to direct access to additional functions.
- **EcoClean Direct:** almost no cleaning is necessary thanks to a special coating of the rear- and side wall and the ceiling that automatically absorbs grime and has a regeneration programme.
- **AutoPilot 10:** every dish is a perfect success thanks to 10 pre-set automatic programmes.

Technical Data

Color / Material Front :	Stainless steel
Built-in / Free-standing :	Built-in
Integrated Cleaning system :	catalytic all sides
Required niche size for installation (HxWxD) :	585-595 x 560-568 x 550
Dimensions of the product (mm) :	595 x 594 x 548
Dimensions of the packed product (HxWxD) (mm) :	675 x 690 x 660
Control Panel Material :	Stainless steel
Door Material :	Glass
Net weight (kg) :	33.842
Usable volume of cavity (l) :	71
Cooking method :	Bottom heat, Conventional heat, Full width grill, Hot Air, Hotair gentle, Hot air grilling, Pizza setting
First cavity material :	Other
Temperature control :	No control of the temperature
Number of interior lights :	1
Approval certificates :	CE, VDE
Length electrical supply cord (cm) :	120
EAN code :	4242005132782
Number of cavities (2010/30/EC) :	1
Energy efficiency class (2010/30/EC) :	A
Energy consumption per cycle conventional (2010/30/EC) :	0.97
Energy consumption per cycle forced air convection (2010/30/EC) :	0.81
Energy efficiency index (2010/30/EC) :	95.3
Connection Rating (W) :	3400
Current (A) :	16
Voltage (V) :	220-240
Frequency (Hz) :	50; 60
Plug type :	no plug



Serie | 6, Oven, Stainless steel HBA5570S0A

The built-in oven with AutoPilot: automatically prepares perfect dishes.

Dimensions

- Appliance dimensions (HxWxD): 595 mm x 594 mm x 548 mm
- Installation dimensions (HxWxD): 585 mm - 595 mm x 560 mm - 568 mm x 550 mm
- Please reference the built-in dimensions provided in the installation drawing

Heating Functions

- Temperature range 50 °C - 275 °C
- Rapid heating-up

Hook-in racks / rails

- safety stop function, 1 set of level independent telescopic rails (Clip-on rail)

Design

- Rotary control knobs, Retractable control knobs
- Enamel grey with 5 shelf positions
- Cavity volume: 71 net usable litres

Cleaning

- EcoClean Direct : back panel, ceiling, side liners
- Full glass inner door

Convenience

- LCD-display control (white)
- Electronic clock/timer with end time programming
- 10 automatic programs
- Halogen lighting
- Cooling fan
- Drop down door
- Bar handle
- Electronic functions: automatic start, Actual temperature display, AutoPilot

Safety and Environment

- Triple glazed door
- Child lock function
- Residual heat indicator

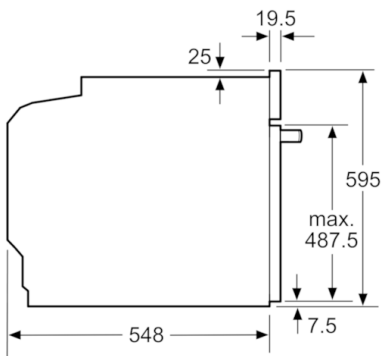
Accessories

- 1 x grill tray, suit. pyrol. clean., 2 x combination grid, 1 x universal pan

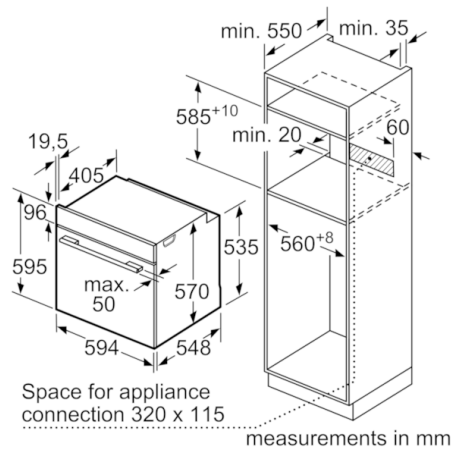
Technical Info

- Length of mains cable: 120 cm
- Nominal voltage: 220 - 240 V
- Total connected load electric: 3.4 KW

Serie | 6, Oven, Stainless steel
HBA5570S0A

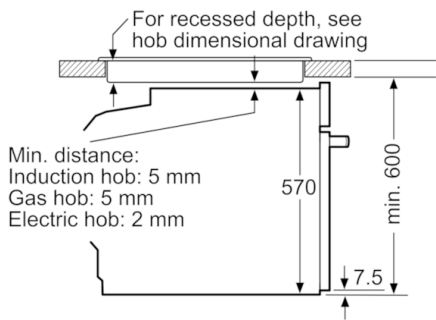


measurements in mm



measurements in mm

Installation with a hob.



measurements in mm