

**Series 4, Built-in oven, 60 x 60 cm,  
Black  
HBA172BB0A**



HEZ660050 Cover Strip, HEZ664000 Baking and roasting grid (steam), HEZ915003 Glass roasting dish, 5,4 L, HEZ327000 Pizza stone, HEZ32WA00 Wireless food thermometer, HEZ531010 Baking tray, non-stick ceramic coated, HEZ532010 Universal pan, non-stick ceramic coated, HEZ538000 1fold telescopic rail, level independent, HEZ617000 Pizza pan, enamelled, HEZ629070 Air Fry & Grill tray, HEZ631070 Baking tray, enamelled, HEZ632070 Multipurpose pan, enamelled, HEZ633001 Lid for professional pan, enamelled, HEZ633070 Professional pan, enamelled, HEZ634000 Baking and roasting grid (standard), HEZ636000 Glass pan

**The built-in oven with AutoPilot:  
automatically prepares perfect dishes.**

- **LED-touch control, red:** easy-to-use thanks to direct access to heating modes, temperature and additional functions via touch buttons
- **Pyrolytic self-cleaning:** Automatically cleans the oven, just wipe out the ash.
- **AutoPilot 10:** every dish is a perfect success thanks to 10 pre-set automatic programs.
- **Ideal for preparing of frozen pizza.**
- **3D Hotair: even heat distribution for perfect results on up to three levels.**

Color / Material Front: ..... Black  
 Built-in / Free-standing: ..... Built-in  
 Door opening: ..... Drop down  
 Cleaning : ..... Pyrolytic+Hydrolytic  
 Control Panel Material: ..... metal lacquered  
 Door Material: ..... Glass  
 Dimensions (HxWxD): ..... 595 x 594 x 548 mm  
 Dimensions of the packed product (HxWxD): ..... 675 x 660 x 690 mm  
 Min. required niche size for installation (HxWxD): 585-595 x 560-568 x 550 mm  
 Cavity dimensions: ..... 357 x 480 x 415 mm  
 Usable volume of cavity: ..... 71 l  
 Number of interior lights: ..... 1  
 Net weight: ..... 38.1 kg  
 Gross weight: ..... 40.2 kg  
 EAN code: ..... 4242005355655  
 Connection rating: ..... 3600 W  
 Fuse protection: ..... 16 A  
 Voltage: ..... 220-240 V  
 Frequency: ..... 50; 60 Hz  
 Length electrical supply cord: ..... 120.0 cm





## **Series 4, Built-in oven, 60 x 60 cm, Black HBA172BB0A**

### **The built-in oven with AutoPilot: automatically prepares perfect dishes.**

---

#### **Heating Functions**

- Oven with 7 heating methods:
- Full width grill, Hotair gentle, 3D Hotair, Top/bottom heating, Pizza setting, Bottom heating, Hot air grilling
- Temperature range 30 °C - 275 °C
- Cavity volume: 71 net usable litres

#### **Hook-in racks / rails**

- Number of shelf levels: 5
- Telescopic rails available as optional accessory

#### **Design**

- Touch control
- Extra large capacity oven with grey enamel

#### **Cleaning**

- Pyrolytic self-cleaning function
- Cleaning Assistance (HydroClean program)
- Full glass inner door

#### **Convenience**

- Electronic clock/timer with end time programming
- Automatic temperature proposal, Actual temperature display
- AutoPilot, 10 automatic programs
- Bar handle
- Automatic programs
- Automatic rapid heat function
- Halogen lighting
- Integrated cooling fan

#### **Accessories**

- 1 x Air Fry & Grill tray, 1 x combination grid, 1 x universal pan

#### **Safety and Environment**

- Low door temperature during pyrolytic cleaning
- Electronic door lock, Child lock, Automatic safety switch off function, Start button

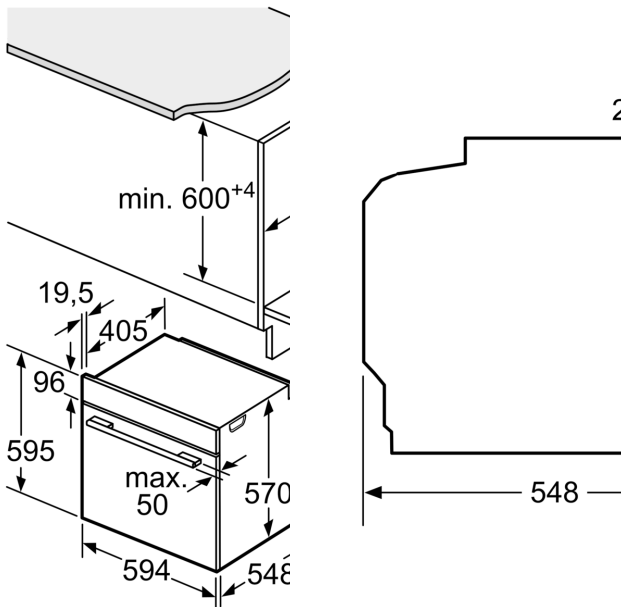
#### **Technical Info**

- Length of mains cable: 120 cm
- Nominal voltage: 220 - 240 V
- Total connected load electric: 3.6 KW

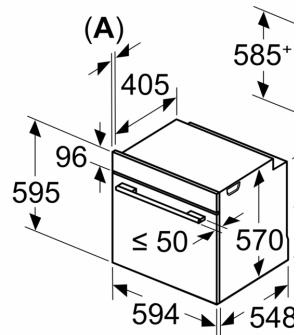
#### **Dimensions**

- Appliance dimensions (HxWxD): 595 mm x 594 mm x 548 mm
- Installation dimensions (HxWxD): 585 mm - 595 mm x 560 mm - 568 mm x 550 mm
- Please reference the built-in dimensions provided in the installation drawing

**Series 4, Built-in oven, 60 x 60 cm,  
Black  
HBA172BB0A**

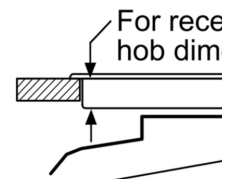


Measurements in mm



**A:** 19.5 mm  
**B:** Space for appliance  
115 mm

Installation with a hob



Min. distance:  
Induction hob: 5 mm  
Gas hob: 5 mm  
Electric hob: 2 mm

