

**Serie | 6, Wall-mounted rangehood, 90 cm, Stainless steel  
DWB97LM50A**



**Optional accessories**

DHZ5345 : Recirculating kit

DSZ6240 : CleanAir Recirculation Kit

**The wall-mounted rangehood: a functional design element in the kitchen.**

- **Extraction rate:** at 697 m<sup>3</sup>/h, it quickly ensures optimal kitchen air quality.
- **Especially quiet:** high performance at just 55 dB.
- **LED lighting:** for perfect, energy-efficient illumination of the cooktop.
- **Intensive speed setting with reset:** automatically resets the hood to regular speed setting after 6 min.

**Technical Data**

Color chimney :	Stainless steel
Typology :	Chimney
Approval certificates :	Australia Standards, VDE
Length electrical supply cord (cm) :	130
Height of the chimney (mm) :	582-908/582-1018
Height of product, without chimney (mm) :	46
Minimum distance above an electric hob :	550
Minimum distance above a gas hob :	650
Net weight (kg) :	18.883
Type of control :	Electronic
Maximum output air extraction (m <sup>3</sup> /h) :	431
Boost position output recirculating (m <sup>3</sup> /h) :	372
Maximum output recirculating air (m <sup>3</sup> /h) :	319
Boost position air extraction (m <sup>3</sup> /h) :	697
Number of lights :	3
Noise level (dB) :	55
Diameter of air outlet (mm) :	120 / 150
Grease filter material :	Washable stainless steel
EAN code :	4242005107728
Connection Rating (W) :	145
Current (A) :	10
Voltage (V) :	220-240
Frequency (Hz) :	50; 60
Plug type :	AU plug
Installation typology :	Wall-mounted



4 242005 107728

## Serie | 6, Wall-mounted rangehood, 90 cm, Stainless steel DWB97LM50A

### The wall-mounted rangehood: a functional design element in the kitchen.

---

#### Design & Innovation

- Box design
- Appliance colour: Stainless steel

#### Power and Mode of Operation

- 3 power settings plus intensive setting
- Extraction rate according to EN 61591 ø 15 cm:  
max. Normal use 431 m<sup>3</sup>/h  
Intensive 697 m<sup>3</sup>/h
- Extraction rate in recirculation mode:  
Max. normal use: 319 m<sup>3</sup>/h
- Ducted and recirculated-air operation
- Electronic controls with white LED display
- TouchControl
- EcoSilence BLDC brushless motor
- Noise min./max. Normal Level: 45/55 dB  
Noise max. Intensive setting: 66 dB
- Noise level in recirculation mode:  
Max. normal use: 70 dB(A) re 1 pW (57 dB(A) re 20 µPa sound  
pressure)
- Energy Efficiency Class: A (at a range of energy efficiency  
classes from A++ to E)
- Average Energy Consumption: 33.1 kWh/year
- Power rating: 145 W

#### Comfort & Convenience

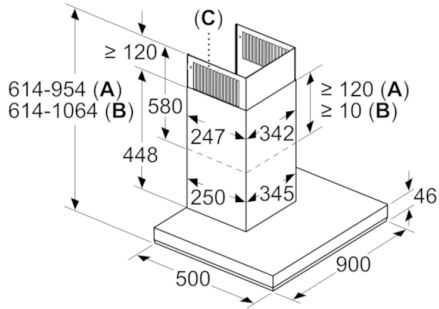
- with one-way flap: prevents outside air from entering your  
kitchen
- Dishwasher safe metal grease filters
- 3 x 1.5 Watt LED Lights
- Intensive operation automatic revert - 6min
- Additional sound insulation mats for optimised sound  
absorption

#### Technical Information

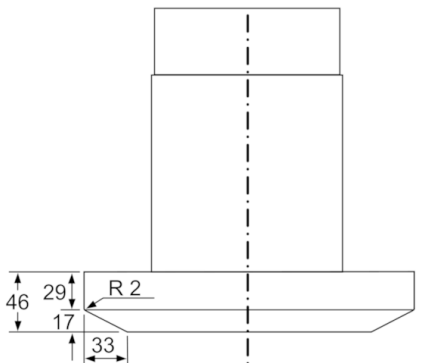
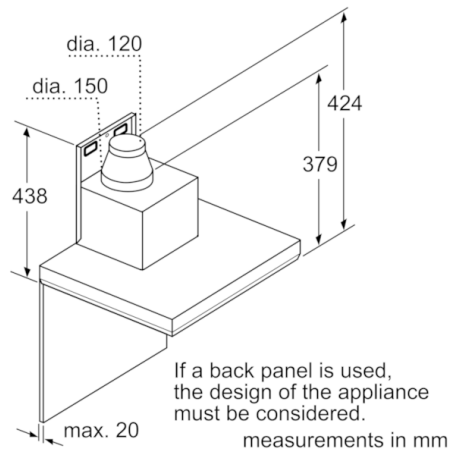
- Appliance width: 898 mm
- Dimensions exhaust air (HxWxD): 628-954 x 898 x 500 mm
- Dimensions recirculating (HxWxD): 628-1064 x 898 x 500 mm
- Diameter pipe Ø 150 mm (Ø 120 mm enclosed)
- Electrical cable length 1.3 m

**Serie | 6, Wall-mounted rangehood, 90 cm,  
Stainless steel  
DWB97LM50A**

measurements in mm



- A: Air extraction
- B: Air recirculation
- C: Air outlet – slots for exhaust air to be mounted facing down



measurements in mm

