

**Serie | 8, Wall-mounted rangehood, 90 cm, Stainless steel
DWB91PR50A**



Optional accessories

DHZ5345 : Recirculating kit
DSZ6240 : CleanAir Recirculation Kit

The wall-mounted rangehood: a functional design element in the kitchen.

- **Extraction rate:** at 964 m³/h, it quickly ensures optimal kitchen air quality.
- **PerfectAir sensor:** automatic control of settings for maximal extractor performance with minimal noise.
- **Especially quiet:** high performance at just 64 dB.
- **LED lighting:** for perfect, energy-efficient illumination of the cooktop.
- **Intensive speed setting with reset:** automatically resets the hood to regular speed setting after 6 min.

Technical Data

Color chimney :	Stainless steel
Typology :	Chimney
Approval certificates :	Australia Standards, VDE
Length electrical supply cord (cm) :	130
Height of product, without chimney (mm) :	46
Minimum distance above an electric hob :	550
Minimum distance above a gas hob :	650
Net weight (kg) :	19.783
Type of control :	Electronic
Number of speed settings :	3-stage + 2 intensive
Maximum output air extraction (m ³ /h) :	602
Boost position output recirculating (m ³ /h) :	428
Maximum output recirculating air (m ³ /h) :	362
Boost position air extraction (m ³ /h) :	964
Number of lights :	3
Noise level (dB) :	64
Diameter of air outlet (mm) :	120 / 150
Grease filter material :	Washable stainless steel
EAN code :	4242005107742
Connection Rating (W) :	265
Current (A) :	10
Voltage (V) :	220-240
Frequency (Hz) :	60; 50
Plug type :	AU plug
Installation typology :	Wall-mounted



Serie | 8, Wall-mounted rangehood, 90 cm, Stainless steel DWB91PR50A

The wall-mounted rangehood: a functional design element in the kitchen.

Technical Information

- Appliance width: 898 mm
- Dimensions exhaust air (HxWxD): 628-954 x 898 x 500 mm
- Dimensions recirculating (HxWxD): 628-1064 x 898 x 500 mm
- Diameter pipe Ø 150 mm (Ø 120 mm enclosed)
- Electrical cable length 1.3 m

Design & Innovation

- Box design
- Appliance colour: Stainless steel
- Electronic controls via TouchControl with lightline
- PerfectAir sensor
- Cooktop-based hood control (with matching cooktop)

Power and Mode of Operation

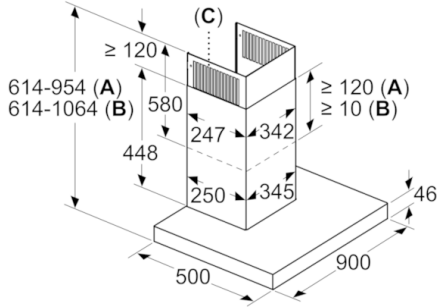
- 3 power levels + 2 intensive levels
- Extraction rate according to EN 61591 ø 15 cm:
max. Normal use 601 m³/h
Intensive 964 m³/h
- Extraction rate in recirculation mode:
Max. normal use: 362 m³/h
Intensive: 428 m³/h
- Ducted and recirculated-air operation
- EcoSilence BLDC brushless motor
- Noise min./max. Normal Level: 45/64 dB
Noise max. Intensive setting: 73 dB
- Noise level in recirculation mode:
Max. normal use: 73 dB(A) re 1 pW (60 dB(A) re 20 µPa sound pressure)
- Energy Efficiency Class: A+ (at a range of energy efficiency classes from A++ to E)
- Average Energy Consumption: 33.9 kWh/year
- Power rating: 265 W

Comfort & Convenience

- with one-way flap: prevents outside air from entering your kitchen
- Dishwasher safe metal grease filters
- Saturation display for filters
- Stainless steel filter covers, dishwasher safe
- Intensive operation automatic revert - 6min
- Automatic run on for Automatic run on - 10 min
- Additional sound insulation mats for optimised sound absorption
- 3 x 1.5 Watt LED Lights
- SoftLight with dimming function

**Serie | 8, Wall-mounted rangehood, 90 cm,
Stainless steel
DWB91PR50A**

measurements in mm



- A: Air extraction
- B: Air recirculation
- C: Air outlet – slots for exhaust air to be mounted facing down

