

Series 8, Built-In Fully Automatic Coffee Machine, Black CTL636EB6



The built-in coffee center offers unparalleled variety with highest comfort.

- **Intelligent heater inside:** The SensoFlow System guarantees the right temperature and best aroma.
- **OneTouch DoubleCup:** Your choice of espresso or milk drinks with a click – even two cups at once.
- **AromaDouble Shot:** Extra-strong coffee with less bitterness thanks to two grinding and brewing processes
- **AutoMilk Clean:** Automatic steam cleaning after every beverage for a properly cleaned milk system.
- **CeramDrive:** High-quality grinder made from non-wearing ceramic

| | |
|--------------|------------------------------|
| TCZ7003 | Accessories small appliances |
| TCZ8001A | Cleaning tablets |
| TCZ8002A | Descaling tablets |
| TCZ8004A | Care set espresso |
| TCZ8009N | insulated milk container |
| Y988081012 : | |
| Y988081300 : | |
| Y988081302 : | |
| Y988081303 : | |

| | |
|--|--------------------|
| Built-in / Free-standing: | Built-in |
| Net weight: | 20.1 kg |
| Gross weight: | 22.6 kg |
| Dimensions (HxWxD): | 455 x 594 x 375 mm |
| Dimensions of the packed product (HxWxD): | 540 x 478 x 670 mm |
| Min. required niche size for installation (HxWxD): | 449 x 558 x 356 mm |
| EAN code: | 4242002916668 |
| Fuse protection: | 10 A |
| Voltage: | 220-240 V |
| Frequency: | 50/60 Hz |
| Length electrical supply cord: | 170.0 cm |



Series 8, Built-In Fully Automatic Coffee Machine, Black CTL636EB6

The built-in coffee center offers unparalleled variety with highest comfort.

Flavour

- Innovative SensoFlow heating system - Fast first cup
- One-touch preparation: Ristretto, Espresso, Espresso macchiato, Coffee, Cappuccino, Latte macchiato, Caffé Latte at the touch of a button
- AromaDoubleShot: Extra-strong coffee with less bitterness thanks to two grinding and brewing processes
- Beverage temperature individually adjustable: 3 coffee temperature levels, Hot water: 4 grades
- optional Brita Intenza water filter: Reduces the lime content of water and filters substances affecting smell and taste

Convenience

- 4.1" TFT display with interactive menu
- MyCoffee: Save favourite beverages with individual names and adjustable mixing ratio of milk and espresso
- IndividualCupVolume: Cup sizes individually adjustable, to ensure your cup gets filled just as much as you would like it to (20-250 ml)
- Coffee outlet and milk frother height-adjustable: Up to 15 cm (max) high Latte Macchiato glasses fit underneath
- OneTouch DoubleCup: Prepare two cups simultaneously for all coffee and milk specialities
- Removable 2.4 litre water tank
- Early warning when bean container or water tank are close to empty
- Flexible milk solution: Decide for yourself if you prefer connecting the provided milk container or using any other container, e.g. a milk carton
- Short user manual always at hand inside appliance

Performance

- SilentCeram Drive: High-value ceramic grinding unit
- coffeeSensor System: The grinding unit automatically adjusts to bean variety
- One-touch coffee milk specialities with especially fine-pored milk froth thanks to an innovative milk frother
- In addition to beverages also available separately: milk foam, warm milk, hot water
- Reduced heating-up time: fastest first cup!
- Water pump with 19 bar pressure
- Separate chute for pre-ground coffee
- 15.000 cup warranty: Consistently high appliance quality from the first cup to the 15,000th (valid for non-commercial use within 24 months)

Hygiene

- Removable brewing unit: Easy and hygienic cleaning under running water
- steam blast: Fully-automatic steam cleaning of the milk system after every beverage
- All milk nozzle parts are easily removable, separable, easy to clean and dishwasher-proof

- singlePortion Cleaning: Complete emptying of all pipes after each brewing process
- Automatic rinsing program when switched on or off
- Removable drip tray with container for coffee dregs
- Fully automatic descaling & cleaning program Calc'n'Clean
- Temperature adjustment

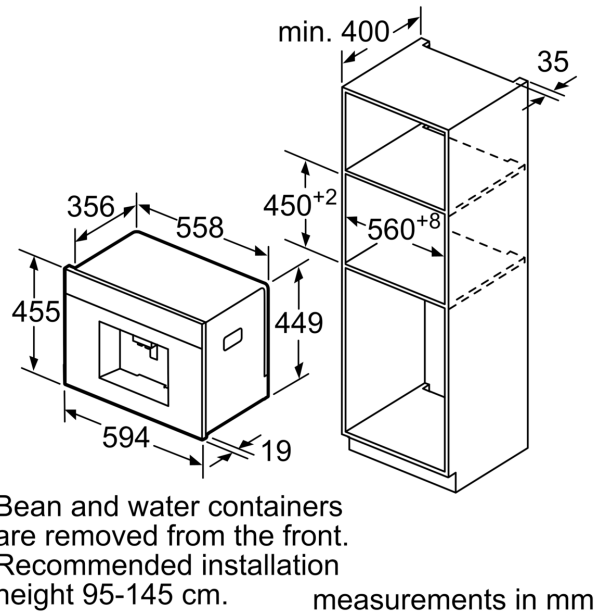
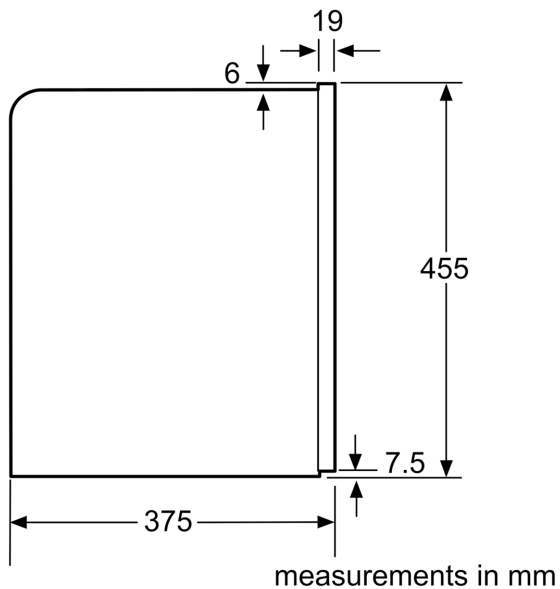
Extras

- Containers for water, milk and coffee beans are easily accessible but hidden behind a door, so the kitchen always looks clean
- Bean container with aroma protection lid (500 g volume)
- Illumination for keys and coffee outlet
- Grinding fineness adjustable (multi-level)
- Convenient quick rinsing function
- Child-proof lock: key lock preventing unintended brewing cycle
- Power 1700 W

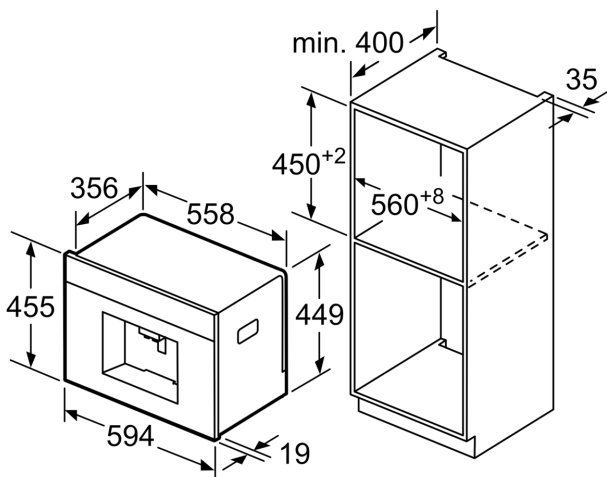
Accessories

- Insulated milk container with FreshLock lid (0.5 l volume)
- Included accessories: assembly screws, test strip, connection hose for milk frother, scoop, milk container (insulated), milk pipe
- Separately available accessories: cleaning tablets (TCZ8001), descaling tablets (TCZ8002), BRITA Intenza water filter (TCZ7003), care set for fully-automatic espresso makers (TCZ8004), insulated milk container (TCZ8009N)

**Series 8, Built-In Fully Automatic
Coffee Machine, Black
CTL636EB6**

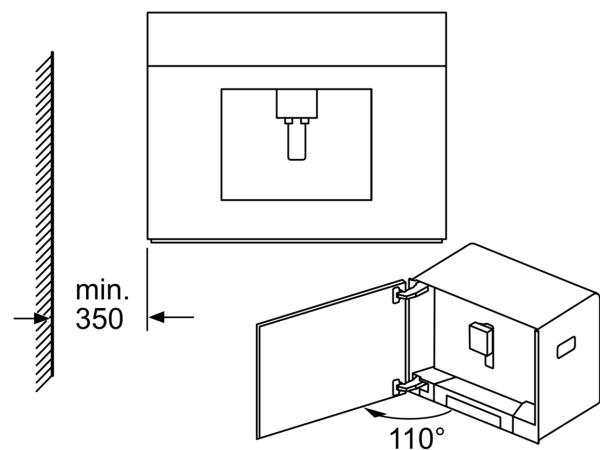


Bean and water containers
are removed from the front.
Recommended installation
height 95-145 cm.



Bean and water containers
are removed from the front.
Recommended installation
height 95-145 cm.

left corner installation



If using the 92° hinge limiter
(spare part no. 00636455),
the minimum distance to the wall
is only 100 mm.

