

**Series 8, Built-in compact oven with steam function, 60 x 45 cm, Stainless steel
CSG656RS2A**



HEZ36D163 Steam container, unpunched, size S, HEZ36D163G Steam container, punched, size S, HEZ530000 Half tray, HEZ664000 Baking and roasting grid (steam), HEZ915003 Glass roasting dish, 5,4 L, HEZ632070 Multipurpose pan, anthracite enamelled, HEZ531010 Baking tray, non-stick ceramic coated, HEZ532010 Universal pan, non-stick ceramic coated, HEZ617000 Pizza pan, anthracite enamelled, HEZ625071 Grill tray, anthracite enamelled, HEZ631070 Baking tray, anthracite enamelled, HEZ636000 Glass pan, HEZ660050 Cover Strip, HEZ660060 Strip

The compact steam oven with PerfectBake and PerfectRoast: you get perfect results, automatically and gently.

- **Steam function:** for gentle, healthy food preparation.
- **Added Steam:** achieve cooking results that are crispy on the outside and juicy on the inside.
- **TFT touchdisplay:** easy and intuitive oven control with touchscreen.
- **EcoClean Direct:** easy cleaning thanks to a coating that breaks down grease while you bake.
- **LED lighting:** perfect illumination of foods with minimum energy consumption.

Color / Material Front: Stainless steel
 Built-in / Free-standing: Built-in
 Door opening: Drop down
 Cleaning : .Hydrolytic, Catalytic liners (all sides), Catalytic liners (all sides)
 Control Panel Material: Stainless steel
 Door Material: Glass
 Dimensions (HxWxD): 455 x 594 x 548 mm
 Dimensions of the packed product (HxWxD): 520 x 650 x 710 mm
 Min. required niche size for installation (HxWxD): 450-455 x 560-568 x 550 mm
 Cavity dimensions: 235 x 480 x 415 mm
 Usable volume of cavity: 47 l
 Number of interior lights: 1
 Net weight: 36.0 kg
 Gross weight: 38.3 kg
 EAN code: 4242005125944
 Connection rating: 3300 W
 Fuse protection: 16 A
 Voltage: 220-240 V
 Frequency: 50; 60 Hz
 Length electrical supply cord: 150.0 cm



Series 8, Built-in compact oven with steam function, 60 x 45 cm, Stainless steel CSG656RS2A

- Appliance dimensions (HxWxD): 455 mm x 594 mm x 548 mm
- Installation dimensions (HxWxD): 450 mm - 455 mm x 560 mm - 568 mm x 550 mm
- Total connected load electric: 3.3 KW
- Length of mains cable: 150 cm

The compact steam oven with PerfectBake and PerfectRoast: you get perfect results, automatically and gently.

Heating Functions

- Compact steam oven with 14 heating methods:
- 4D HotAir, Drying, Full width grill, 4D HotAir Eco, Intensive heat, Half width grill, Top/bottom heating, Top/bottom heating Eco, Pizza setting, Slow cooking, Bottom heating, Hot air grilling, Preheat ovenware, Keep warm
- Additional heating methods with steam: Pure steaming, Reheating, Dough Proving, Defrost setting
- Automatic rapid heat function

Sensor Technology & Automatic Programs

- Bosch Assist - a menu of dishes for automatic cooking
- PerfectBake baking sensor, PerfectRoast multipoint meat probe

Design

- TFT Touch Graphic Display
- Drop down door
- LED lighting
- Cavity volume: 47 net usable litres
- Anthracite enamel cavity with 3 shelf positions

Convenience

- Automatic temperature proposal
- Actual temperature display Residual heat indicator Meat probe function Sabbath setting
- Cavity with shelf support rails, 1 level telescopic rail, fully extendable, safety stop function
- Electronic clock/timer with end time programming
- Large 1 litre water tank
- Water tank empty indicator
- Info button
- EcoClean Direct: coating of ceiling, back panel, side liners
- Additional functions: Descaling programme
- drying function
- Full glass inner door

Safety and Environment

- Triple glazed door
- Maximum door temperature 40° C
- Child lock, Automatic safety switch off function, Residual heat indicator, Start button, Door contact switch
- Integrated cooling fan

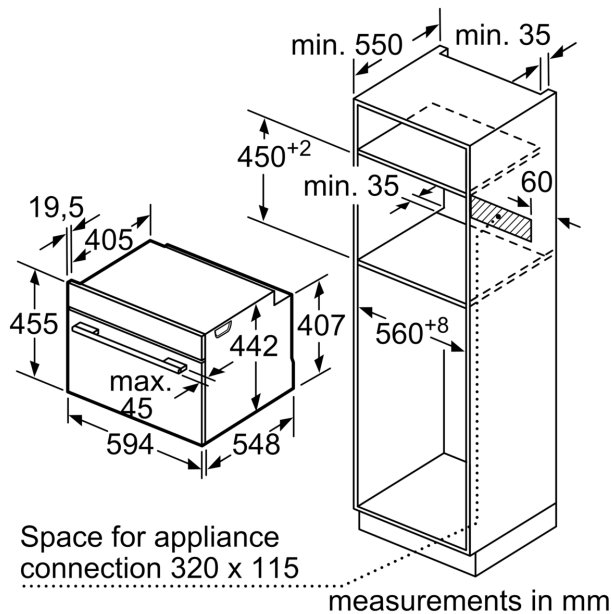
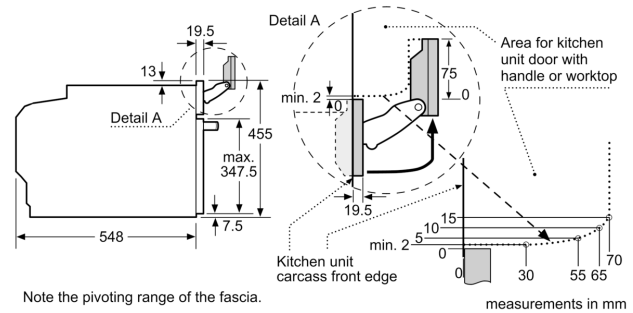
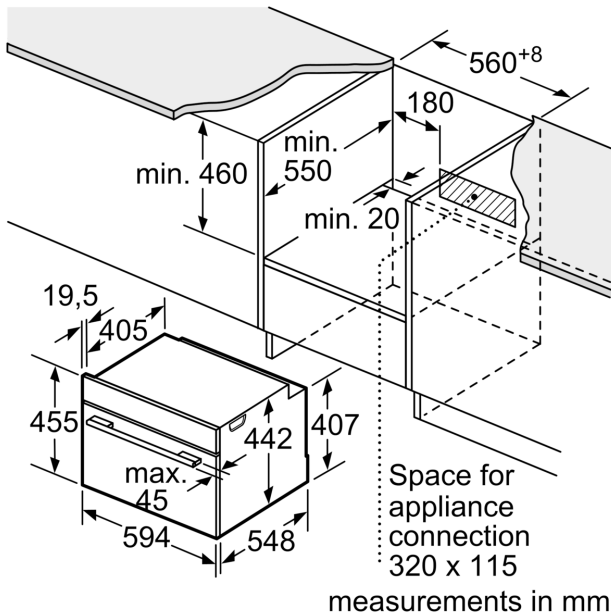
2 year warranty

Accessories

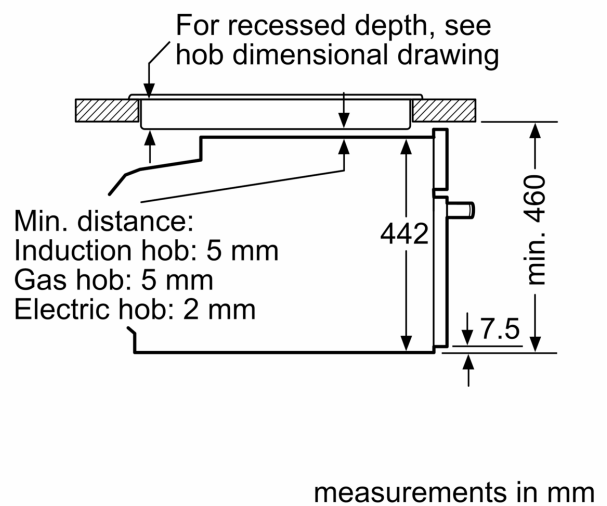
- 1 x steam container, punched, size S, 1 x steam container, punched, size XL, 1 x steam container, unpunched, size S, 1 x grid, 1 x universal pan

Technical Info

Series 8, Built-in compact oven with steam function, 60 x 45 cm, Stainless steel
CSG656RS2A



Installation with a hob.



If the compact appliance will be installed underneath a hob, the following worktop thicknesses (including substructure if necessary) must be taken into account.

Hob type	min. worktop thickness	
	fitted	flush
Induction hob	42 mm	43 mm
Full surface Induction hob	52 mm	53 mm
Gas hob	32 mm	43 mm
Electric hob	32 mm	35 mm