

**Series 8, Built-in compact oven with microwave function, 60 x 45 cm, Carbon black CMG836NC1**



HEZ327000 Pizza stone, HEZ531010 Baking tray, non-stick ceramic coated, HEZ532010 Universal pan, non-stick ceramic coated, HEZ617000 Pizza pan, enamelled, HEZ625071 Grill tray, anthracite, HEZ631070 Baking tray, enamelled, HEZ632070 Multipurpose pan, enamelled, HEZ634080 Baking and roasting grid, microwave, HEZ636000 Glass pan, HEZ660050 Cover Strip, HEZ660060 Strip, HEZ664000 Baking and roasting grid, steam, HEZ6BMA00 Assembly kit for vertical installation, HEZ915003 Glass roasting dish, 5,4 L, HEZG0AS00 Connecting cable 3m

**The compact oven with microwave function: enables you to achieve perfect baking and roasting results very quickly.**

- **Microwave function:** for quick warming up or for fast cooking in combination with hot air.
- **EcoClean Direct:** almost no cleaning is necessary thanks to a special coating of the rear wall that automatically absorbs grime.
- **1-level telescopic rail:** for safe, easy insertion and removal of baking trays.
- **4D hotair:** even heat distribution for perfect results.
- **TFT touchdisplay:** easy and intuitive oven control with touchscreen.

Additional function: ..... Microwave combination  
 Built-in / Free-standing: ..... Built-in  
 Door opening: ..... Handle  
 Door colour: ..... Black  
 Cleaning : ..EcoClean Direct automatic prompt for cleaning function, Hydrolytic  
 Control Panel Material: ..... Glass  
 Dimensions (HxWxD): ..... 455x594x548 mm  
 Dimensions of the packed product (HxWxD): ..... 530 x 670 x 680 mm  
 Min. required niche size for installation (HxWxD): 450-455 x 560-568 x 550 mm  
 Cavity dimensions: ..... 237.0 x 480 x 392.0 mm  
 Cavity capacity: ..... 45 l  
 Max. microwave power level: ..... 900 W  
 Number of interior lights: ..... 1  
 Net weight: ..... 35.7 kg  
 Gross weight: ..... 38.0 kg  
 EAN code: ..... 4242005110858  
 Connection rating: ..... 3600 W  
 Fuse protection: ..... 16 A  
 Voltage: ..... 220-240 V  
 Frequency: ..... 50; 60 Hz  
 Length electrical supply cord: ..... 150.0 cm



## **Series 8, Built-in compact oven with microwave function, 60 x 45 cm, Carbon black CMG836NC1**

**The compact oven with microwave function: enables you to achieve perfect baking and roasting results very quickly.**

### **Dimensions**

- Appliance dimensions (HxWxD): 455 mm x 594 mm x 548 mm
- Installation dimensions (HxWxD): 450 mm - 455 mm x 560 mm - 568 mm x 550 mm
- Please reference the built-in dimensions provided in the installation drawing

### **Heating Functions**

- Compact oven with microwave with 12 heating methods:
- 4D HotAir, Full width grill, 4D HotAir Eco, Half width grill, Top/bottom heating, Top/bottom heating Eco, Pizza setting, Slow cooking, Bottom heating, Hot air grilling, Preheat ovenware, Keep warm
- Additional heating methods with microwave: Pure microwave, Combination microwave and conventional oven
- Intelligent inverter technology: maximum output power will be regulated to 600 W when used in longer operation
- Max. Power: 900 W; 5 Microwave power settings (90 W, 180 W, 360 W, 600 W, 900 W) with Inverter (MW)
- Temperature range 30 °C - 300 °C
- Cavity volume: 45 net usable litres

### **Hook-in racks / rails**

- Number of shelf levels: 3
- 1 level telescopic rail

### **Design**

- Bosch Control Ring
- Cavity inner surface: enamel

### **Cleaning**

- EcoClean Direct: coating of back panel
- Cleaning Assistance - cleaning option for light soiling

### **Convenience**

- TFT Touch Graphic Display
- Electronic clock/timer with end time programming
- Automatic temperature proposal, Residual heat indicator, Actual temperature display
- Drop down door
- Bar handle
- Bosch Assist - a menu of dishes for automatic cooking
- Automatic rapid heat function
- LED light
- Integrated cooling fan

### **Accessories**

- 1 x combination grid, 1 x universal pan

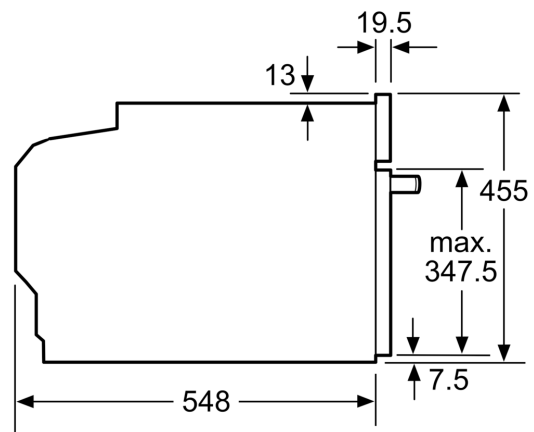
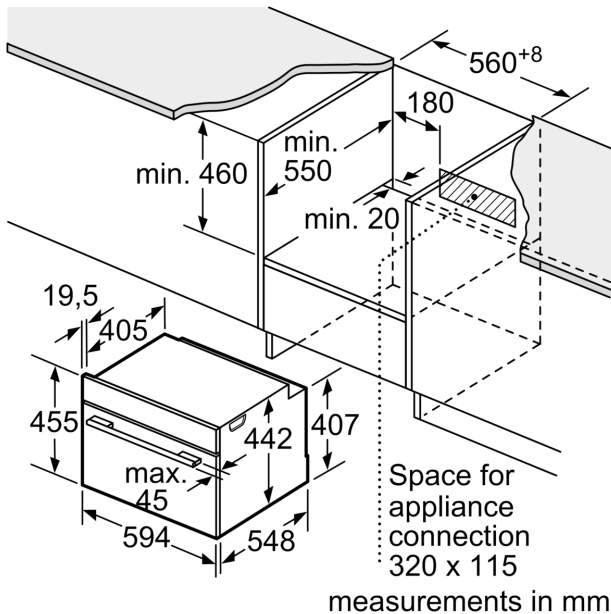
### **Safety and Environment**

- Maximum door temperature 40° C
- Child lock, Automatic safety switch off function, Residual heat indicator, Start button, Door contact switch

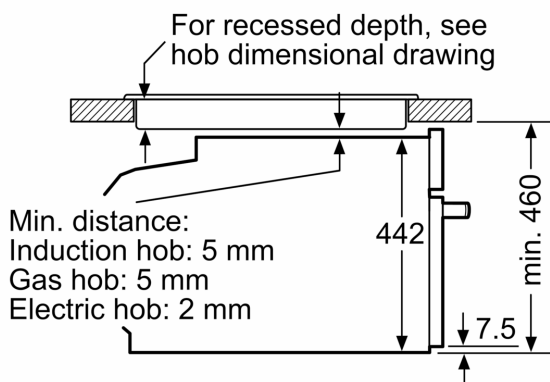
### **Technical Info**

- Length of mains cable: 150 cm
- Nominal voltage: 220 - 240 V
- Total connected load electric: 3.6 KW

**Series 8, Built-in compact oven with  
microwave function, 60 x 45 cm,  
Carbon black  
CMG836NC1**



Installation with a hob.



If the compact appliance will be installed underneath a hob, the following worktop thicknesses (including substructure if necessary) must be taken into account.

Hob type	min. worktop thickness	
	fitted	flush
Induction hob	42 mm	43 mm
Full surface Induction hob	52 mm	53 mm
Gas hob	32 mm	43 mm
Electric hob	32 mm	35 mm

