

**Serie | 8, Compact combination  
microwave oven, Stainless steel  
CMG633BS1B**



**Included accessories**

1 x combination grid  
1 x universal pan

**Optional accessories**

HEZ327000 : Pizza stone  
HEZ531010 : Baking tray, non-stick ceramic coated  
HEZ532010 : Universal pan, non-stick ceramic coated  
HEZ617000 : Pizza pan, anthracite enamelled  
HEZ625071 : Grill tray, anthracite enamelled  
HEZ631070 : Baking tray, anthracite enamelled  
HEZ632070 : Multipurpose pan, anthracite enamelled  
HEZ634080 : Baking and roasting grid (microwave)  
HEZ636000 : Glass pan  
HEZ660060 : Strip

**The compact oven with microwave function:  
enables you to achieve perfect baking and  
roasting results very quickly.**

- **TFT display control:** easy-to-use thanks to the control ring with clear text and touch symbols.
- **Microwave function:** for quick warming up or for fast cooking in combination with hot air.
- **AutoPilot 14:** every dish is a perfect success thanks to the 14 pre-set automatic programs.
- **LED lighting:** perfect illumination of foods with minimum energy consumption.
- **SoftMove door with SoftOpen and SoftClose:** the oven door opens and closes especially gently and quietly.

**Technical Data**

Type of micro-wave oven :	MW-Combi
Type of control :	Electronic
Color / Material Front :	Stainless steel
Dimensions of the product (mm) :	455 x 594 x 548
Cavity dimensions (mm) :	237.0 x 480 x 392.0
Length electrical supply cord (cm) :	150
Net weight (kg) :	34.627
Gross weight (kg) :	37.0
EAN code :	4242002807409
Maximum micro-wave power (W) :	900
Connection Rating (W) :	3600
Current (A) :	16
Voltage (V) :	220-240
Frequency (Hz) :	60; 50
Plug type :	no plug



4 242002 807409

## **Serie | 8, Compact combination microwave oven, Stainless steel CMG633BS1B**

**The compact oven with microwave function:  
enables you to achieve perfect baking and  
roasting results very quickly.**

### **Technical Info**

- Appliance dimensions (HxWxD): 455 mm x 594 mm x 548 mm
- Installation dimensions (HxWxD): 450 mm - 455 mm x 560 mm - 568 mm x 550 mm
- Total connected load electric: 3.6 KW
- Length of mains cable: 150 cm

### **Heating Functions**

- Compact oven with microwave with 6 heating methods:
  - 4D HotAir
  - 4D HotAir Eco
  - Hot air grilling
  - Full width grill
  - Half width grill
  - Preheat ovenware
- Additional heating methods with microwave: Pure microwave, Combination microwave and conventional oven
- Max. Power: 900 W; 5 Microwave power settings (90 W,180 W,360 W,600 W,900 W) with Inverter (MW)
- Temperature range 30 °C - 275 °C

### **Sensor Technology & Automatic Programs**

- Number of automatic programmes: 14 PC

### **Design**

- TFT Touch Symbol Display
- Bosch Control Ring
- Rapid heating-up
- LED lighting
- Cavity volume: 45 net usable litres
- Anthracite enamel cavity with 3 shelf positions

### **Convenience**

- Automatic temperature proposal
  - Actual temperature display
  - Residual heat indicator
- Electronic clock/timer with end time programming
- Info button

### **Safety and Environment**

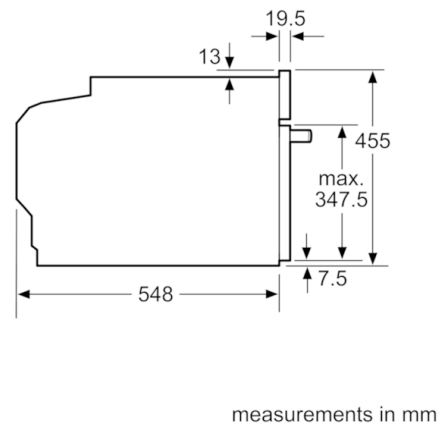
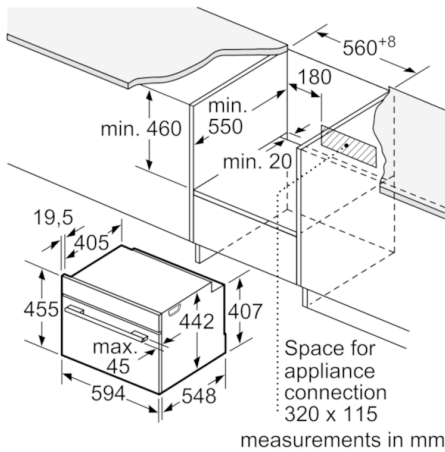
- Child lock function
  - Automatic safety switch off function
  - Residual heat indicator
  - start button
  - door contact switch
- Cooling fan

### **2 year warranty**

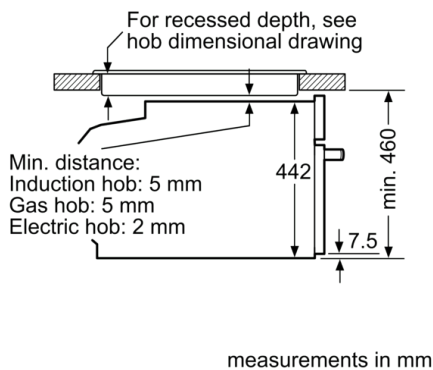
### **Accessories**

- 1 x combination grid, 1 x universal pan

**Serie | 8, Compact combination microwave oven, Stainless steel  
CMG633BS1B**



Installation with a hob.



If the compact appliance will be installed underneath a hob, the following worktop thicknesses (including substructure if necessary) must be taken into account.

Hob type	min. worktop thickness	
	fitted	flush
Induction hob	42 mm	43 mm
Full surface Induction hob	52 mm	53 mm
Gas hob	32 mm	43 mm
Electric hob	32 mm	35 mm

