

**Series 8, Built-in warming drawer, 60  
x 29 cm, Black  
BID9101B1**

---

---

HEZ32WA00 Wireless food thermometer

**Preheat plates and cups, so that your  
dishes stay hot longer. Keep warm, for  
keeping cooked dishes warm.**

- **Slow cooking** : for slow and gentle cooking at a low temperature.
  - **Keep warm**: for keeping cooked dishes warm.
  - **Push-pull mechanism**: easy opening and closing thanks to a practical spring mechanism.
  - **Home Connect – Control the multifunctional warming drawer at any time from wherever you want.**
  - **Cleaning convenience: easy-to-clean hotplate made of tempered glass.**
- 

Color / Material Front: ..... Black  
Built-in / Free-standing: ..... Built-in  
Dimensions (HxWxD): ..... 290 x 594 x 518 mm  
Dimensions of the packed product (HxWxD): ..... 400 x 660 x 700 mm  
Min. required niche size for installation (HxWxD): .....290 x 560 x 550 mm  
Maximum number of plates: .....40  
Maximum number of espresso cups: .....192  
Net weight: ..... 24.0 kg  
Gross weight: ..... 25.9 kg  
EAN code: .....4242005321667  
Fuse protection: .....10 A  
Voltage: ..... 220-240 V  
Frequency: ..... 50-60 Hz

---



## **Series 8, Built-in warming drawer, 60 x 29 cm, Black BID9101B1**

**Preheat plates and cups, so that your  
dishes stay hot longer. Keep warm, for  
keeping cooked dishes warm.**

- 
- Multifunctional warming drawer with the heating functions: Slow cooking, Keep warm, plate warming, cup warming

### **Design**

- User-friendly electronics: extremely easy and comfortable operation
- Heating plate made of toughened glass
- Cavity volume: 54 l usable litres
- Max weight up to 25 kg
- Max. loading espresso cups: 192 PC or Max. loading plates: 40 PC

### **Convenience**

- Temperature control with 4 levels: 30 °C - 80 °C (glass surface temperature)
- Handleless push&pull opening mechanism
- HomeConnect
- Favourites button - manage via Home Connect app
- Touch key operation
- Illuminated TouchSelect controls

### **Technical Info**

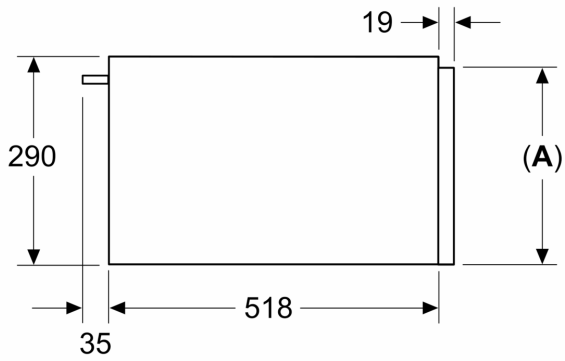
- Length of mains cable: 175 cm
- Total connected load electric: 0.82 KW
- Nominal voltage: 220 - 240 V

### **Dimensions**

- Appliance dimensions (HxWxD): 290 mm x 594 mm x 518 mm
- Installation dimensions (HxWxD): 290 mm x 560 mm - 568 mm x 550 mm
- Please reference the built-in dimensions provided in the installation drawing

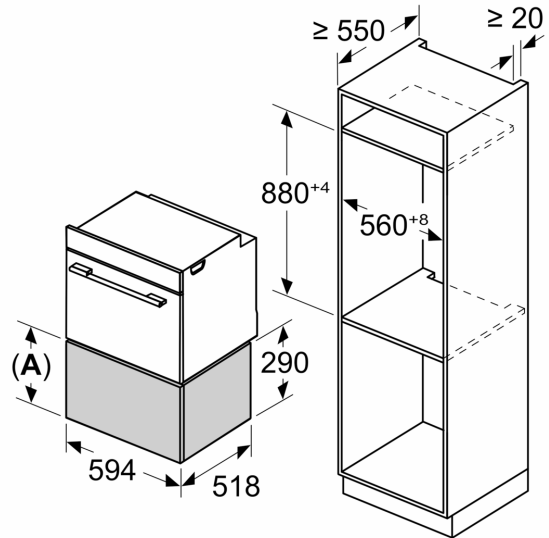
**Series 8, Built-in warming drawer, 60  
x 29 cm, Black  
BID9101B1**

Measurements in mm



**A: 287.5 mm**  
Ovens with appliance height of 595 mm can be installed above the warming drawer without an intermediate floor

Measurements in mm



**A: 287.5 mm**