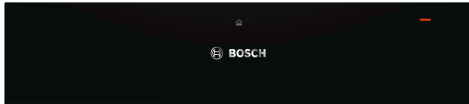


**Series 8, Built-in warming drawer, 60 x 14 cm, Black
BIC630NB1A**



HEZG9AS00S Adapter

The multifunctional warming drawer for the 14 cm niche: for pre-heating crockery, keeping food warm, defrosting and slow cooking.

- **Push-pull mechanism:** easy opening and closing thanks to a practical spring mechanism.
- **Cleaning convenience:** easy-to-clean hotplate made of tempered glass.

Color / Material Front: Black
 Built-in / Free-standing: Built-in
 Dimensions (HxWxD): 140 x 594 x 548 mm
 Dimensions of the packed product (HxWxD): 210 x 660 x 660 mm
 Min. required niche size for installation (HxWxD): 140 x 560 x 550 mm
 Maximum number of plates: 12
 Maximum number of espresso cups: 64
 Net weight: 16.8 kg
 Gross weight: 18.0 kg
 EAN code: 4242005243488
 Fuse protection: 10 A
 Voltage: 220-240 V
 Frequency: 50 Hz



Series 8, Built-in warming drawer, 60 x 14 cm, Black BIC630NB1A

**The multifunctional warming drawer for
the 14 cm niche: for pre-heating crockery,
keeping food warm, defrosting and slow
cooking.**

-
- Temperature control with 4 levels: 40 °C - 80 °C (glass surface temperature)
 - Suitable for: Pre-warming of crockery, Keeping drinks and food warm, Dough proving, Defrosting, Slow cooking

Design

- Heating plate made of toughened glass
- Handleless push&pull opening mechanism
- User-friendly electronics: extremely easy and comfortable operation
- Cavity volume: 20 l usable litres
- Max. loading espresso cups: 64 PC or Max. loading plates: 12 PC

Convenience

- Max weight up to 25 kg

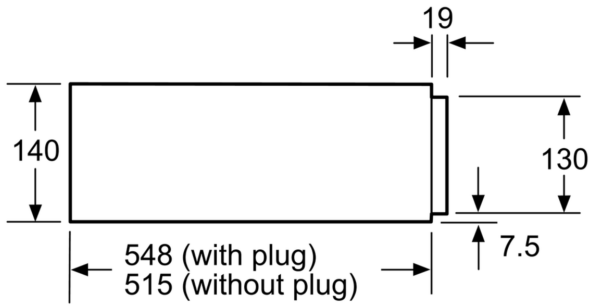
Dimensions

- Appliance dimensions (HxWxD): 140 mm x 594 mm x 548 mm
- Installation dimensions (HxWxD): 140 mm x 560 mm - 568 mm x 550 mm
- Please reference the built-in dimensions provided in the installation drawing

Technical Info

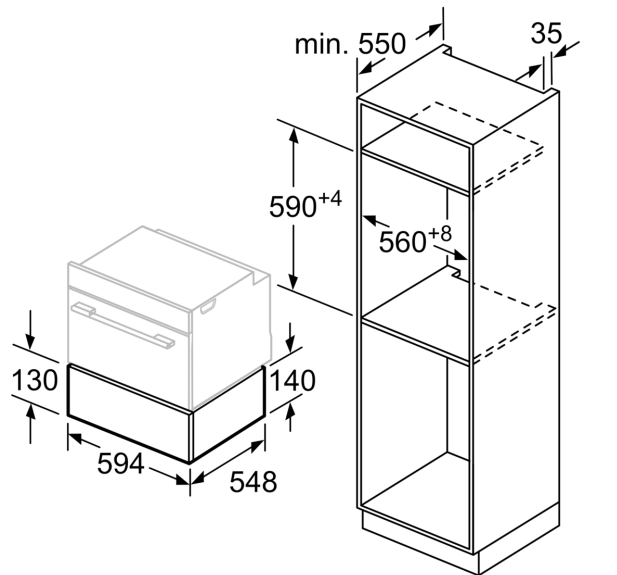
- Length of mains cable: 150 cm
- Total connected load electric: 0.81 KW
- Nominal voltage: 220 - 240 V

**Series 8, Built-in warming drawer, 60
x 14 cm, Black
BIC630NB1A**



Compact ovens with an appliance height of 455 mm can be installed above a warming drawer. An intermediate floor is not required.

measurements in mm



measurements in mm