

# 30" Single Wall Oven

800 Series – Black Stainless Steel HBL8443UC



**HBL8443UC**  
Black Stainless Steel

Also available in:  
Stainless Steel HBL8453UC

**Using Convection Roast, you can create a juicy, tender roast up to 25% faster than non-convection modes.**

## Features & Benefits

Bosch black stainless steel helps guard against scratches and fingerprints.

Get the oven up to temperature in less time using Fast Preheat™, so meals are ready sooner.

Whether cooking poultry, beef or pork, use the Temperature Probe to monitor the internal temperature and get perfect results every time.

Oven is equipped with a self-cleaning cycle that easily cleans itself via 2, 3, and 4 hour cycle options.

Download the Home Connect® app to remotely monitor and control your Bosch wall oven with your smart phone or tablet.

## General Properties

Home Connect® (WiFi enabled)	Yes
Oven modes	Bake, Variable Broil (hi & low), Roast, Warm, Sabbath, Proof Dough, Convection Bake, Convection Broil, Convection Roast, Pizza, Convection Multi-Rack, Convection Conversion, Temperature Probe, Fast Preheat

Cleaning type	Self Clean
Telescopic rack	1
Illumination type	Halogen
Interior lights	2

## Oven Performance

Bake / broil element	2,400 / 3,800 W
Convection element	2,000 W

## Technical Details

Watts	6,325 W
Circuit breaker	30 A
Volts	240 / 208 V
Frequency	60 Hz
Power cord length	60"
Plug type	Fixed Connection, No Plug
Energy source	Electric

## Dimensions & Weight

Overall appliance dimensions (HxWxD)	29" x 29 3/4" x 24 1/2"
Required cutout size – Standard (HxWxD)	27" – 28 5/8" x 28 1/2" x 23 1/2"
Required cutout size – Flush (HxWxD)	29 1/8" x 30" x 24 1/2"
Oven cavity size	4.6 cu. ft.
Overall oven interior dimensions (HxWxD)	17 13/16" x 24 1/8" x 18"
Usable oven interior dimensions (HxWxD)	12 1/4" x 23 1/4" x 15 1/4"
Net weight	149 lbs

## Accessories – Included

Included	1 Telescopic and 2 Standard Oven Racks, Temperature Probe
----------	---

## Accessories – Optional



HEZTR301  
30" Telescopic Rack



00798845  
30" Flat Rack



† To be fully ADA compliant, these units must be installed according to ADA guidelines. Please check current ADA requirements for guidance on installation.

**Accessories:** To purchase Bosch accessories, cleaners & parts please visit [www.bosch-home.com/us/store](http://www.bosch-home.com/us/store) or call 1-800-944-2904 (Mon to Fri 5 am to 6 pm PST, Sat 6 am to 3 pm PST).

**Notes:** All height, width and depth dimensions are shown in inches. BSH reserves the absolute and unrestricted right to change product materials and specifications, at any time, without notice. Consult the product's installation instructions for final dimensional data and other details prior to making cutout.

**Warranties:** Please see Use & Care manual or Bosch website for statement of limited warranty.

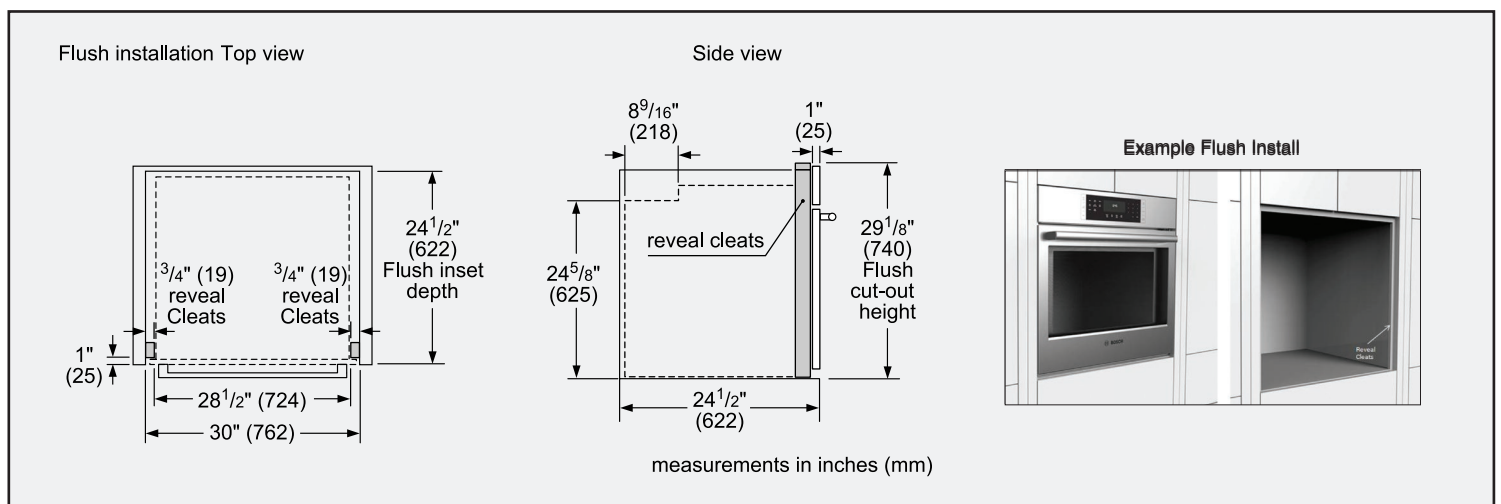
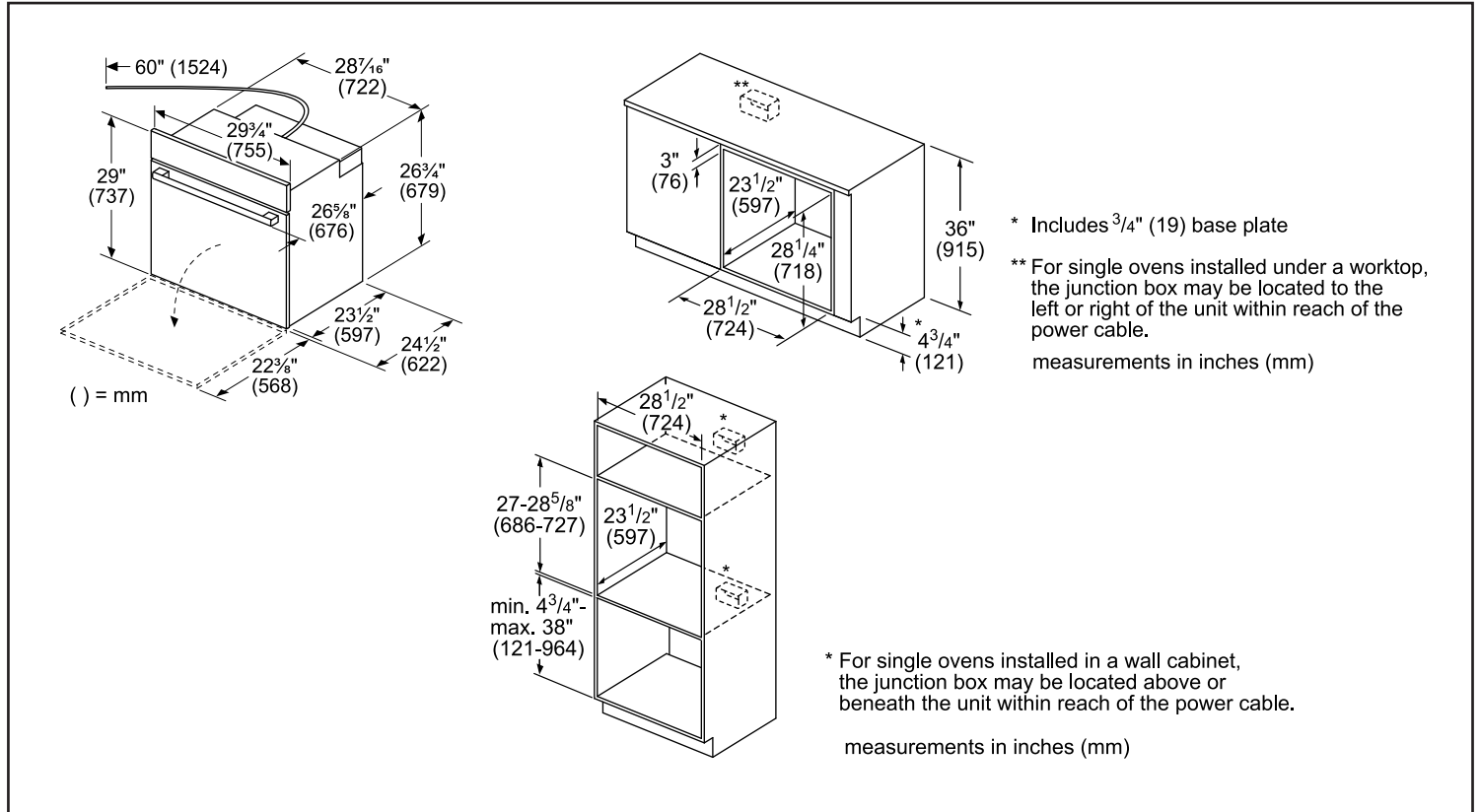
**For more information on our entire line of products, go to [www.bosch-home.com/us](http://www.bosch-home.com/us) or call 1-800-944-2904**

© BSH Home Appliances Corporation. All rights reserved. Bosch is a registered trademark of Robert Bosch GmbH.

# 30" Single Wall Oven

800 Series – Black Stainless Steel HBL8443UC

## Installation Details



**Accessories:** To purchase Bosch accessories, cleaners & parts please visit [www.bosch-home.com/us/store](http://www.bosch-home.com/us/store) or call 1-800-944-2904 (Mon to Fri 5 am to 6 pm PST, Sat 6 am to 3 pm PST).

**Notes:** All height, width and depth dimensions are shown in inches. BSH reserves the absolute and unrestricted right to change product materials and specifications, at any time, without notice. Consult the product's installation instructions for final dimensional data and other details prior to making cutout.

**Warranties:** Please see Use & Care manual or Bosch website for statement of limited warranty.

**For more information on our entire line of products, go to [www.bosch-home.com/us](http://www.bosch-home.com/us) or call 1-800-944-2904**

© BSH Home Appliances Corporation. All rights reserved. Bosch is a registered trademark of Robert Bosch GmbH.

# 30" Single Wall Oven

800 Series – Black Stainless Steel HBL8443UC



**BOSCH**

Invented for life

## Installation Details

**Standard installation**  
30" single oven over storage or warming drawer

\* Wall oven junction box may be located above or to the right or left of the unit within reach of the power cable.

\*\* Electrical hook-up may be located below (depending on space) or next to the drawer within reach of the power cable.

minimum 3/4" (18) required between cut-outs

measurements in inches (mm)

**Flush installation**  
Single oven over storage or warming drawer

Side view

Single wall oven

\*IMPORTANT: Base has to be able to support the weight of the oven. Please check oven manual for minimum weight requirements.

minimum 1/2" (13) required between cut-outs\*

Warming drawer

measurements in inches (mm)

---

**Standard installation**  
30" steam convection oven over single oven\*\*\*

\* Junction box may be located above or next to the unit within reach of the power cable.

\*\* Junction box may be located below (depending on space) or next to the unit within the reach of the power cable.

\*\*\* Most combinations available as combo oven (one cut-out, one electrical hook-up).

Minimum dimension between cut-outs:

- 1" (25) for wall oven cut-out of 28<sup>5</sup>/<sub>8</sub>"
- 2<sup>5</sup>/<sub>8</sub>" (67) for wall oven cut-out of 27"

measurements in inches (mm)

**Flush installation**  
Steam convection oven over single oven\*\*

Side view

Steam convection oven

\*\*\* Flush installation requires a base plate underneath the body: 30" products – Dimensions: H 5<sup>9</sup>/<sub>16</sub>" (8) x W 28<sup>1</sup>/<sub>2</sub>" (724) x D 22<sup>1</sup>/<sub>2</sub>" (571)

minimum 1/2" (13) required between cut-outs\*

Wall oven

\*IMPORTANT: Base has to be able to support the weight of the oven. Please check oven manual for minimum weight requirements.

\*\* Most combinations available as combo oven (one cut-out, one electrical hook-up).

measurements in inches (mm)

**Accessories:** To purchase Bosch accessories, cleaners & parts please visit [www.bosch-home.com/us/store](http://www.bosch-home.com/us/store) or call 1-800-944-2904 (Mon to Fri 5 am to 6 pm PST, Sat 6 am to 3 pm PST).

**Notes:** All height, width and depth dimensions are shown in inches. BSH reserves the absolute and unrestricted right to change product materials and specifications, at any time, without notice. Consult the product's installation instructions for final dimensional data and other details prior to making cutout.

**Warranties:** Please see Use & Care manual or Bosch website for statement of limited warranty.

**For more information on our entire line of products, go to [www.bosch-home.com/us](http://www.bosch-home.com/us) or call 1-800-944-2904**

© BSH Home Appliances Corporation. All rights reserved. Bosch is a registered trademark of Robert Bosch GmbH.

# 30" Single Wall Oven

800 Series – Black Stainless Steel HBL8443UC



**BOSCH**  
Invented for life

## Bosch Side-By-Side Built-In Oven Approved Combination Guide

Single ovens, microwaves, speed ovens, and drawers approved by BSH Home Appliances Corporation to be installed in combination.

**IMPORTANT:** When installing an oven in combination, a minimum distance between the ovens is required. Refer to the oven installation manual for all other measurements.

Do not install a self-cleaning oven beside another self-cleaning oven.

Appliances that are not listed must be approved under local codes and/or by the local authority having jurisdiction. For the latest updates to the approved combination, refer to the website listed in your appliance's installation instructions.

### Approved Combinations

Conventional Ovens	Built-in Microwaves	Steam Ovens	Speed Ovens	Warming Drawer
HBLxxx1RUC, HBLxxx4RUC, HBLxxx1LUC, HBLxxx4LUC, HBLxxx1UC, HBLxxx3UC, HBLxxx4UC, HBNxxx1UC	HMB50152UC	HSLP451UC	HMC80152UC, HMC80252UC, HMC80242UC, HMCP0252UC	HWD5051UC
<b>Coffee maker with trim kit</b>				
BCM8450UC + HEZCMT3050				

Refer to product installation instructions.

The suitability of the following combination has been evaluated by CSA.

Conventional Ovens	Steam Ovens	Warming Drawer
HBLxxx1RUC, HBLxxx4RUC, HBLxxx1LUC, HBLxxx4LUC, HBLxxx1UC, HBLxxx3UC, HBLxxx4UC, HBNxxx1UC	HSLP451UC	HWD5051UC

Refer to product installation instructions.

Configuration	Left Oven Type	Middle Oven Type	Right Oven Type
Side-by-side-by-side 1	Conventional oven	Steam/speed/microwave	Conventional oven
Side-by-side-by-side 2	Steam, speed, or microwave	Conventional oven**	Steam, speed, or microwave

\*\* Bottom hinge door models only. Side hinge door not recommended.

**Accessories:** To purchase Bosch accessories, cleaners & parts please visit [www.bosch-home.com/us/store](http://www.bosch-home.com/us/store) or call 1-800-944-2904 (Mon to Fri 5 am to 6 pm PST, Sat 6 am to 3 pm PST).

**Notes:** All height, width and depth dimensions are shown in inches. BSH reserves the absolute and unrestricted right to change product materials and specifications, at any time, without notice. Consult the product's installation instructions for final dimensional data and other details prior to making cutout.

**Warranties:** Please see Use & Care manual or Bosch website for statement of limited warranty.

**For more information on our entire line of products, go to [www.bosch-home.com/us](http://www.bosch-home.com/us) or call 1-800-944-2904**

© BSH Home Appliances Corporation. All rights reserved. Bosch is a registered trademark of Robert Bosch GmbH.

# 30" Single Wall Oven

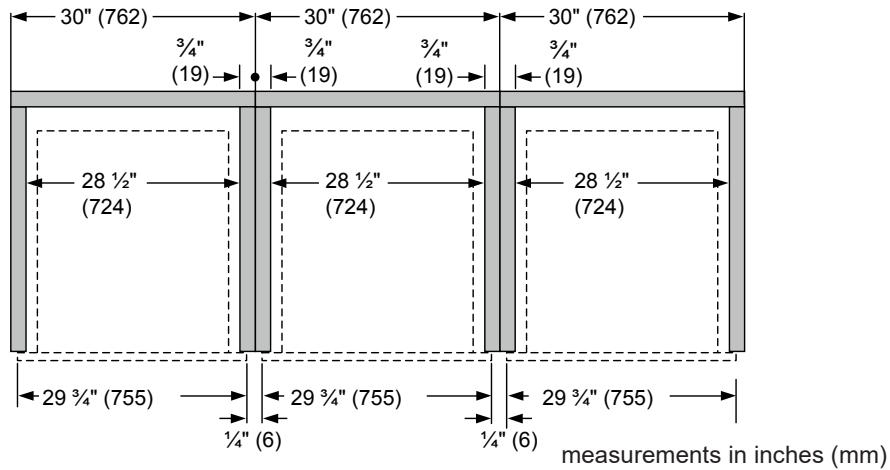
800 Series – Black Stainless Steel HBL8443UC

## Side-by-Side-by-Side Installation

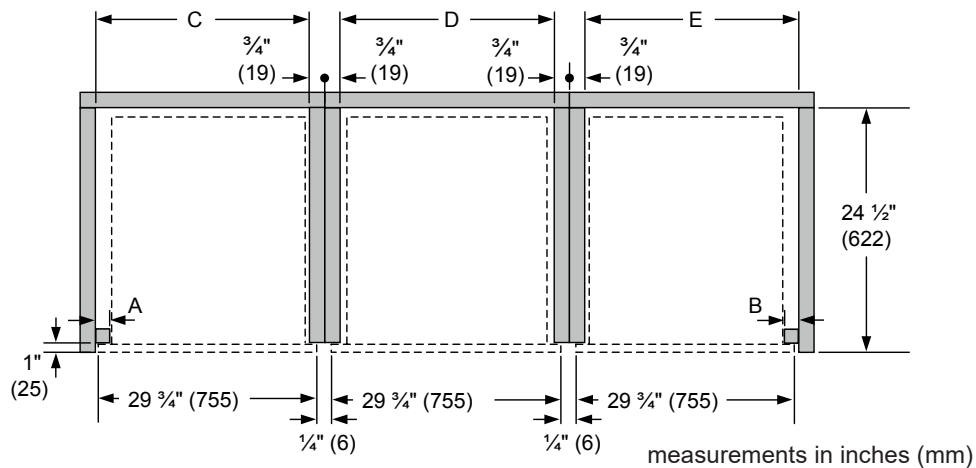
Combination type	Left oven type	Middle oven type	Right oven type
<b>Side-by-side-by-side 1</b>	Conventional oven	Steam/speed/microwave	Conventional oven
<b>Side-by-side-by-side 2</b>	Steam, speed, or microwave	Conventional oven**	Steam, speed, or microwave

\*\*Bottom hinge door modules only. Side hinge door not recommended.

### Standard Installation Side-by-side-by-side



### Flush Installation Side-by-side-by-side



Combination type	A – Left reveal cleat	B – Right reveal cleat	C – Cutout width	D – Cutout width	E – Cutout width
<b>Flush bottom hinge door</b>	3/4" (19)	3/4" (19)	29 1/4" (743)	28 1/2" (724)	29 1/4" (743)
<b>Flush left hinge door</b>	1 1/2" (38)	N/A*	30" (762)	N/A*	N/A*
<b>Flush right hinge door</b>	N/A*	1 1/2" (38)	N/A*	N/A*	30" (762)

\*Installation not recommended.

( )=mm

**Accessories:** To purchase Bosch accessories, cleaners & parts please visit [www.bosch-home.com/us/store](http://www.bosch-home.com/us/store) or call 1-800-944-2904 (Mon to Fri 5 am to 6 pm PST, Sat 6 am to 3 pm PST).

**Notes:** All height, width and depth dimensions are shown in inches. BSH reserves the absolute and unrestricted right to change product materials and specifications, at any time, without notice. Consult the product's installation instructions for final dimensional data and other details prior to making cutout.

**Warranties:** Please see Use & Care manual or Bosch website for statement of limited warranty.

**For more information on our entire line of products, go to [www.bosch-home.com/us](http://www.bosch-home.com/us) or call 1-800-944-2904**

© BSH Home Appliances Corporation. All rights reserved. Bosch is a registered trademark of Robert Bosch GmbH.