

# 24" Pocket Handle Dishwasher

500 Series LOWES – Black SHP865WF6N



**BOSCH**

Invented for life

**ONLY AT  
LOWE'S!**



**SHP865WF6N**  
Black

Also available in:

Stainless Steel SHP865WF5N

White SHP865WF2N

**The flexible 3rd rack allows you to accommodate deeper items, while adjustable tines let you customize the rack's loading space.**

## Features & Benefits

44 dBA: Quietest dishwasher brand in North America.\*

A flexible 3rd rack with fold down sides adds 30% more loading area.

The pocket handle seamlessly integrates into your kitchen & installs flush.

EasyGlide™ rack provides a smooth glide for easier loading & unloading.

FlexSpace™ Plus Tines fold back to fit items such as casserole dishes.

## General Properties

|                           |                     |
|---------------------------|---------------------|
| Number of wash cycles     | 5                   |
| Number of options         | 5                   |
| dBA                       | 44                  |
| Third rack                | Flexible 3rd Rack   |
| Rack adjustability        | Rackmatic®          |
| Tub material              | Stainless Steel     |
| Control type              | Buttons             |
| Concealed heating element | Yes                 |
| Leak protection system    | 24/7 AquaStop®      |
| Water softener            | No                  |
| Five-level wash           | Yes                 |
| ChildLock                 | No                  |
| Special features          | InfoLight®, Clean30 |

## Efficiency

|                                       |        |
|---------------------------------------|--------|
| Water usage per cycle                 | 2.9    |
| Energy efficiency class               | Tier 1 |
| ENERGY STAR® qualified                | Yes    |
| Total annual energy consumption (kWh) | 269    |
| Total annual water consumption (g)    | 623.5  |

## Capacity

|                          |    |
|--------------------------|----|
| Number of place settings | 16 |
|--------------------------|----|

## Technical Details

|                                 |         |
|---------------------------------|---------|
| Watts (W)                       | 1440 W  |
| Current (A)                     | 12 Amps |
| Volts (V)                       | 120 V   |
| Frequency (Hz)                  | 60 Hz   |
| Power cord length               | N/A     |
| Minimum water pressure (lb/sin) | 14      |
| Length outlet hose (in)         | 79"     |

## Dimensions & Weight

|   |                              |
|---|------------------------------|
| Overall appliance dimensions (HxWxD) (in) | 33 7/8" x 23 9/16" x 23 3/4" |
| Required cutout size (HxWxD) (in)         | 33 7/8" x 23 5/8" x 24"      |
| Adjustable feet                           | Yes                          |
| Net weight (lbs)                          | 91 lbs                       |

## Accessories—Optional

|                                  |            |
|----------------------------------|------------|
| Drain Hose Extension Kit         | SGZ1010UC  |
| Dishwasher Accessory Kit         | SMZ5000    |
| Anti-Tarnish Silverware Cassette | SMZ5002UC  |
| Power Cord with Cold Plug        | SMZPC002UC |



\*Based on an average of sound ratings of 24" Full Size Stainless Steel Tub dishwashers contained in major brands US & Canadian websites. Major brands defined as TraQline Top 5 Market Share (US & Canada) December 2016.

**For help and assistance with Bosch accessories please call 1-800-944-2904 Mon-Fri 5am to 6pm PST Sat 6am to 3pm PST**

Notes: All height, width and depth dimensions are shown in inches. BSH reserves the absolute and unrestricted right to change product materials and specifications, at any time, without notice. Consult the product's installation instructions for final dimensional data and other details prior to making cutout. Applicable product warranty can be found in accompanying product literature or you may contact your account manager for further details.

Warranties: Bosch warrants that the Product is free from defects in materials and workmanship for a period of three hundred and sixty-five (365) days from the date of purchase. The foregoing timeline begins to run upon the date of purchase, and shall not be stalled, tolled, extended, or suspended, for any reason whatsoever. This Product is also warranted to be free from cosmetic defects in material and workmanship (such as scratches of stainless steel, paint/porcelain blemishes, chip, dents, or other damage) to the finish of the Product, for a period of thirty (30) days from the date of purchase or closing date for new construction. This cosmetic warranty excludes slight color variations due to inherent differences in painted and porcelain parts, as well as differences caused by kitchen lighting, product location, or other similar factors. This cosmetic warranty specifically excludes any display, floor, "As Is", or "B" stock appliances.

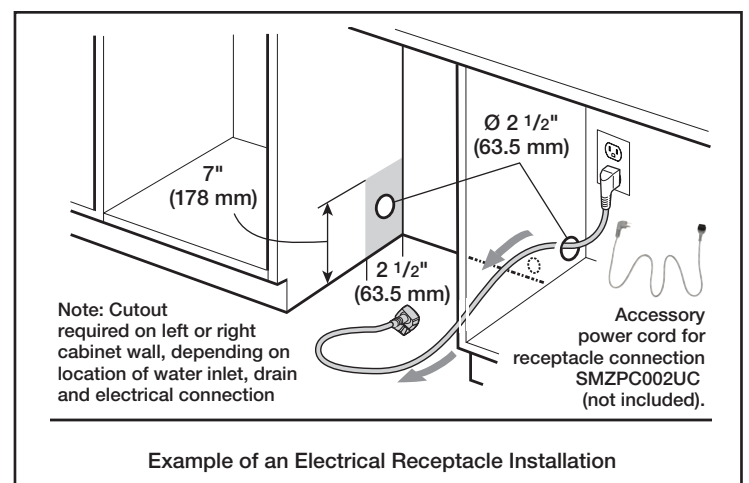
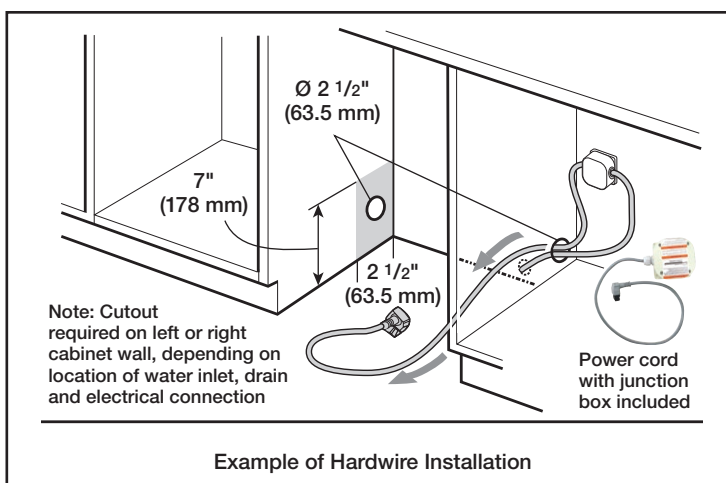
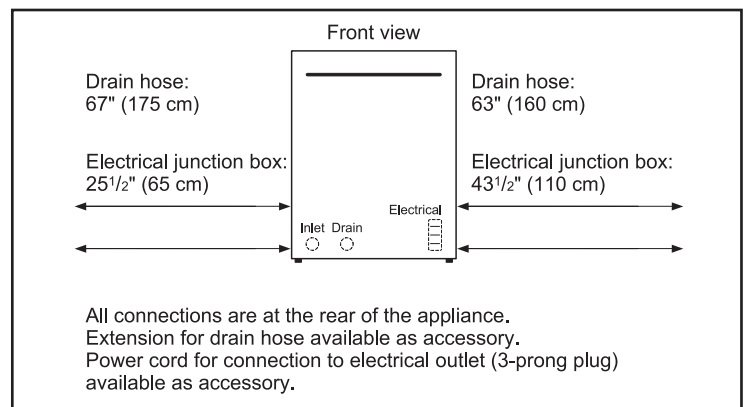
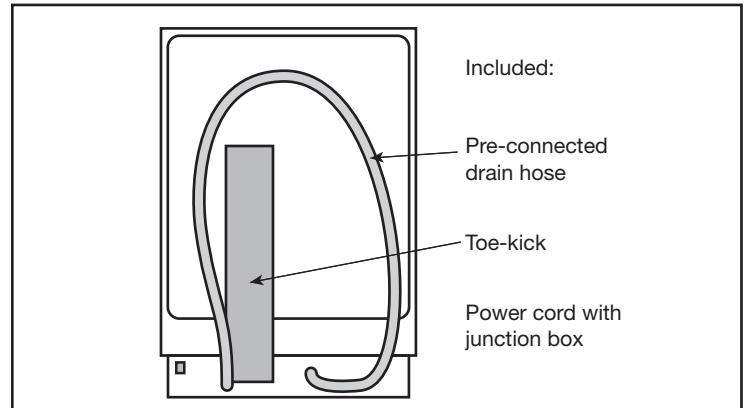
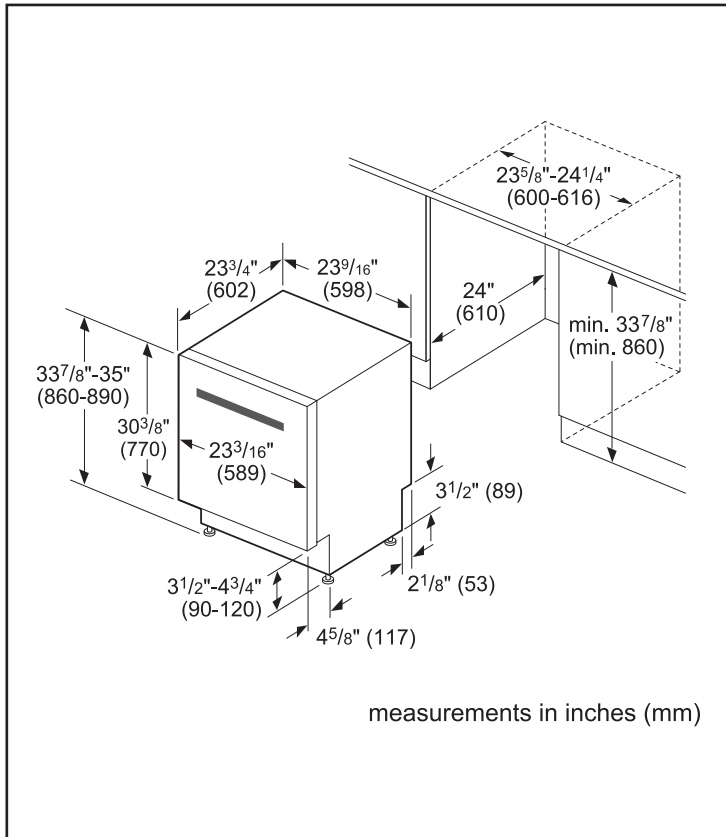
**For more information on our entire line of products, go to [www.bosch-home.ca](http://www.bosch-home.ca) or call 1-800-944-2904**

© BSH Home Appliances Limited. All rights reserved. Bosch is a registered trademark of Robert Bosch GmbH.

# 24" Pocket Handle Dishwasher

500 Series LOWES – Black SHP865WF6N

## Installation Details



For help and assistance with Bosch accessories please call 1-800-944-2904 Mon-Fri 5am to 6pm PST Sat 6am to 3pm PST

Notes: All height, width and depth dimensions are shown in inches. BSH reserves the absolute and unrestricted right to change product materials and specifications, at any time, without notice. Consult the product's installation instructions for final dimensional data and other details prior to making cutout. Applicable product warranty can be found in accompanying product literature or you may contact your account manager for further details.

Warranties: Bosch warrants that the Product is free from defects in materials and workmanship for a period of three hundred and sixty-five (365) days from the date of purchase. The foregoing timeline begins to run upon the date of purchase, and shall not be stalled, tolled, extended, or suspended, for any reason whatsoever. This Product is also warranted to be free from cosmetic defects in material and workmanship (such as scratches of stainless steel, paint/porcelain blemishes, chip, dents, or other damage) to the finish of the Product, for a period of thirty (30) days from the date of purchase or closing date for new construction. This cosmetic warranty excludes slight color variations due to inherent differences in painted and porcelain parts, as well as differences caused by kitchen lighting, product location, or other similar factors. This cosmetic warranty specifically excludes any display, floor, "As Is", or "B" stock appliances.

For more information on our entire line of products, go to [www.bosch-home.ca](http://www.bosch-home.ca) or call 1-800-944-2904

© BSH Home Appliances Limited. All rights reserved. Bosch is a registered trademark of Robert Bosch GmbH.

# 24" Pocket Handle Dishwasher

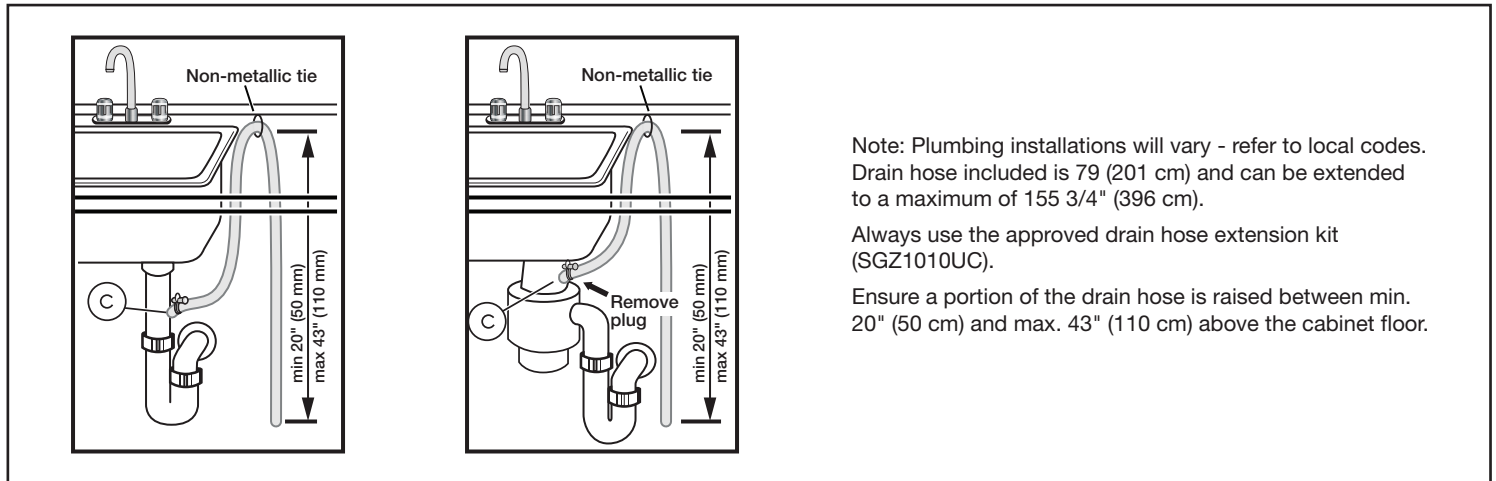
500 Series LOWES – Black SHP865WF6N



**BOSCH**  
Invented for life



## Installation Details



**For help and assistance with Bosch accessories please call 1-800-944-2904 Mon-Fri 5am to 6pm PST Sat 6am to 3pm PST**

Notes: All height, width and depth dimensions are shown in inches. BSH reserves the absolute and unrestricted right to change product materials and specifications, at any time, without notice. Consult the product's installation instructions for final dimensional data and other details prior to making cutout. Applicable product warranty can be found in accompanying product literature or you may contact your account manager for further details.

Warranties: Bosch warrants that the Product is free from defects in materials and workmanship for a period of three hundred and sixty-five (365) days from the date of purchase. The foregoing timeline begins to run upon the date of purchase, and shall not be stalled, tolled, extended, or suspended, for any reason whatsoever. This Product is also warranted to be free from cosmetic defects in material and workmanship (such as scratches of stainless steel, paint/porcelain blemishes, chip, dents, or other damage) to the finish of the Product, for a period of thirty (30) days from the date of purchase or closing date for new construction. This cosmetic warranty excludes slight color variations due to inherent differences in painted and porcelain parts, as well as differences caused by kitchen lighting, product location, or other similar factors. This cosmetic warranty specifically excludes any display, floor, "As Is", or "B" stock appliances.

**For more information on our entire line of products, go to [www.bosch-home.ca](http://www.bosch-home.ca) or call 1-800-944-2904**

© BSH Home Appliances Limited. All rights reserved. Bosch is a registered trademark of Robert Bosch GmbH.

05/17