

30" Built-In Custom Panel Single Door Refrigerator



BOSCH
Invented for life

Benchmark® Series – Custom Panel B30IR800SP



B30IR800SP
Custom Panel

The 30" Custom Panel Single door built-in refrigerator works efficiently by providing healthy living by keeping food fresher longer.

Features & Benefits

Installs either completely flush or framed.

Bright all LED lighting shines throughout the entire interior.

Optiflex® Hinge allows flush-mount doors with no worry about cabinetry.

ENERGY STAR® qualified for energy efficiency.

General Properties	
Reversible door hinge	Yes
Water filter	No
Lighting	LED sidewall and theater lighting
Defrost process	Frost-free
Number of shelves	7
Adjustable shelves	3
Shelf material	Glass w/ metal trim
Type of shelves	3 adjustable, 4 full width
Number of Drawers	3
Gallon storage bins	Yes
Humidity control drawer	Yes
Ice maker	No
Quick ice	No
Capacity	
Total unit gross capacity (cu. ft.) - AHAM	17.2 cu. ft.
Technical Details	
Watts (W)	180 W
Current (A)	15 A
Volts (V)	120 V
Frequency (Hz)	60 Hz
Power cord length (in.)	78 3/4"
Plug type	3-Prong

Dimensions & Weight

Appliance dimensions (H x W x D) (in.)	84" x 29 3/4" x 24 3/4"
Required cutout size (H x W x D) (in.)	84" x 30" x 24 3/4" or 25"
Net weight (lbs)	261 lbs

Efficiency

ENERGY STAR® qualified	YES
Energy consumption (kWh/yr)	310 kWh



For help and assistance with Bosch accessories please call 1-800-944-2904 Mon-Fri 5am to 6pm PST Sat 6am to 3pm PST

Notes: All height, width and depth dimensions are shown in inches. BSH reserves the absolute and unrestricted right to change product materials and specifications, at any time, without notice. Consult the product's installation instructions for final dimensional data and other details prior to making cutout. Applicable product warranty can be found in accompanying product literature or you may contact your account manager for further details.

Warranties: Bosch warrants that the Product is free from defects in materials and workmanship for a period of three hundred and sixty-five (365) days from the date of purchase. The foregoing timeline begins to run upon the date of purchase, and shall not be stalled, tolled, extended, or suspended, for any reason whatsoever. This Product is also warranted to be free from cosmetic defects in material and workmanship (such as scratches of stainless steel, paint/porcelain blemishes, chip, dents, or other damage) to the finish of the Product, for a period of thirty (30) days from the date of purchase or closing date for new construction. This cosmetic warranty excludes slight color variations due to inherent differences in painted and porcelain parts, as well as differences caused by kitchen lighting, product location, or other similar factors. This cosmetic warranty specifically excludes any display, floor, "As Is", or "B" stock appliances.

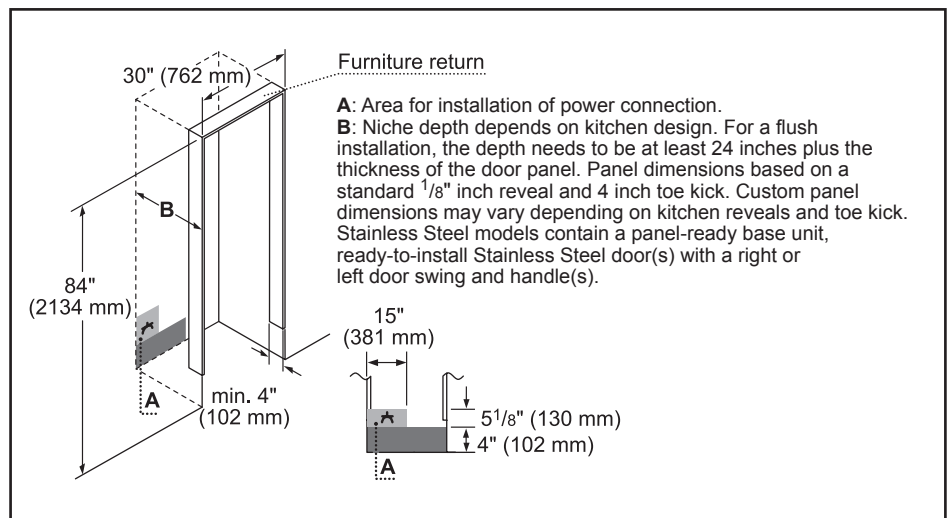
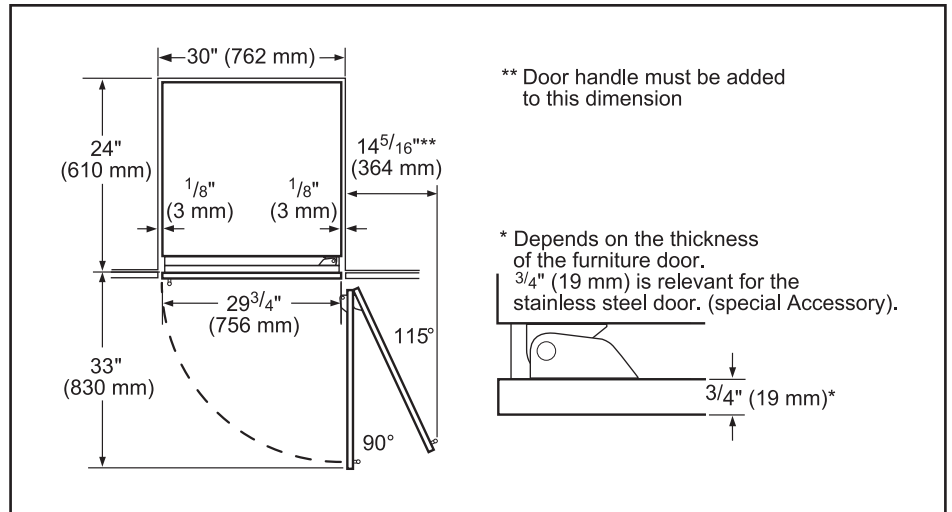
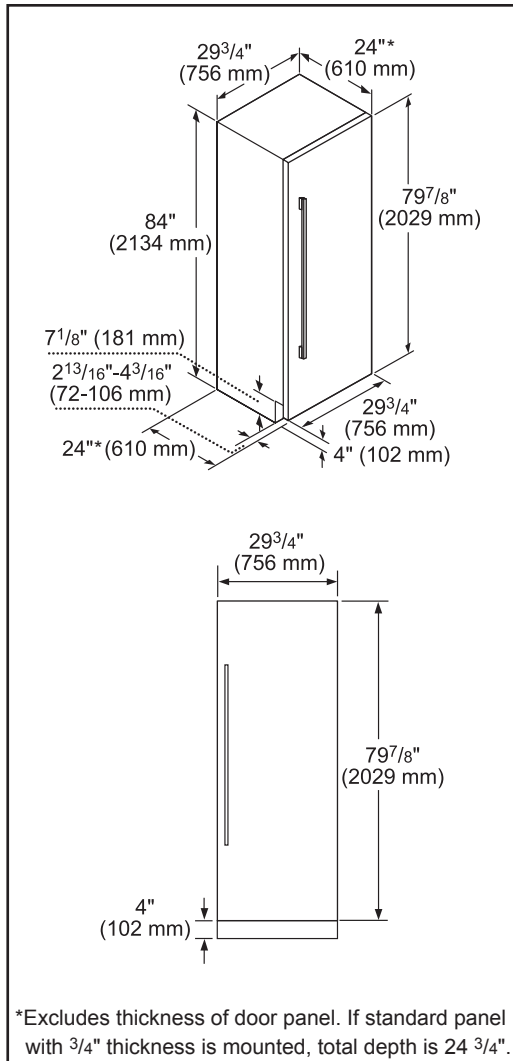
For more information on our entire line of products, go to www.bosch-home.ca or call 1-800-944-2904

© BSH Home Appliances Limited. All rights reserved. Bosch is a registered trademark of Robert Bosch GmbH.

30" Built-In Custom Panel Single Door Refrigerator

Benchmark® Series – Custom Panel B30IR800SP

Installation Details



For help and assistance with Bosch accessories please call 1-800-944-2904 Mon-Fri 5am to 6pm PST Sat 6am to 3pm PST

Notes: All height, width and depth dimensions are shown in inches. BSH reserves the absolute and unrestricted right to change product materials and specifications, at any time, without notice. Consult the product's installation instructions for final dimensional data and other details prior to making cutout. Applicable product warranty can be found in accompanying product literature or you may contact your account manager for further details.

Warranties: Bosch warrants that the Product is free from defects in materials and workmanship for a period of three hundred and sixty-five (365) days from the date of purchase. The foregoing timeline begins to run upon the date of purchase, and shall not be stalled, tolled, extended, or suspended, for any reason whatsoever. This Product is also warranted to be free from cosmetic defects in material and workmanship (such as scratches of stainless steel, paint/porcelain blemishes, chip, dents, or other damage) to the finish of the Product, for a period of thirty (30) days from the date of purchase or closing date for new construction. This cosmetic warranty excludes slight color variations due to inherent differences in painted and porcelain parts, as well as differences caused by kitchen lighting, product location, or other similar factors. This cosmetic warranty specifically excludes any display, floor, "As Is", or "B" stock appliances.

For more information on our entire line of products, go to www.bosch-home.ca or call 1-800-944-2904

© BSH Home Appliances Limited. All rights reserved. Bosch is a registered trademark of Robert Bosch GmbH.